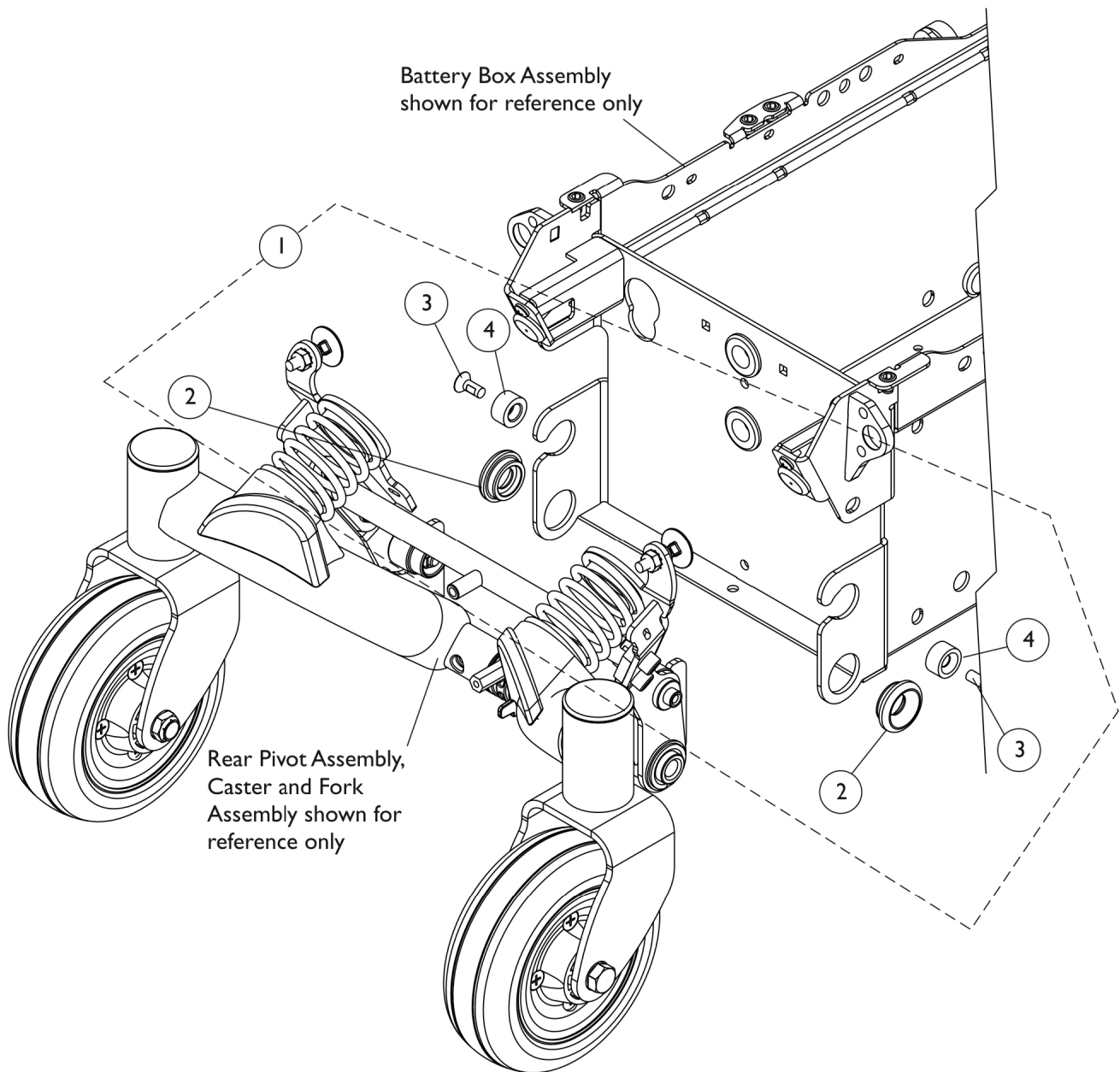


Rear Pivot Assembly Mounting Hardware



Rear Pivot Assembly Mounting Hardware

Item Number	Note	Part Number	Description	Quantity Per	
				Package	Assembly
1	A	60105137	Kit, Rear Pivot Assembly Mounting Hardware	1	1
2			Bushing, Rear Pivot	1	2
3			Screw, Socket Flat Head w/ Patch (1/4-20 x 5/8")	1	2
4			Spacer, Nylon	1	2

NOTE: A - Includes items 2-4