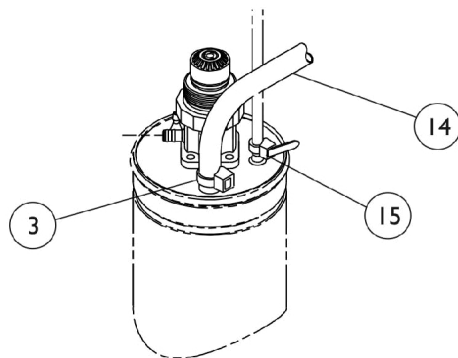
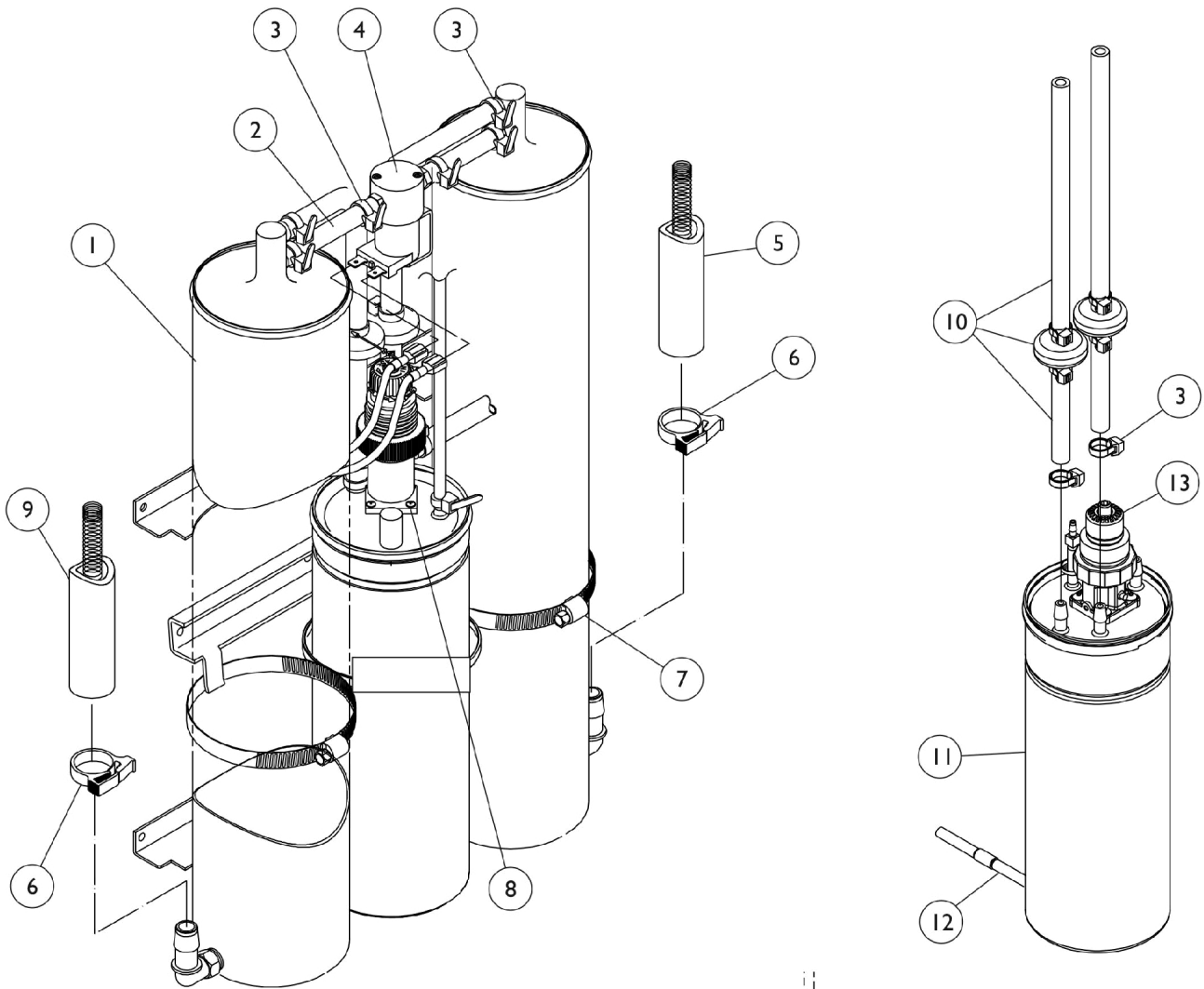


Sieve Beds and Product Tank



Product Tank
Shown for Ref. Only

Sieve Beds and Product Tank

| Item Number | Note | Part Number | Description | Quantity Per | |
|-------------|------|-------------|--|--------------|----------|
| | | | | Package | Assembly |
| 1 | A | 1144034 | Kit, Sieve Beds (Pair) | 1 | 1 |
| | | | Sieve Bed Assembly - 10LX/10LXO2 | 1 | 2 |
| | | | Clamp, Hose | 1 | 2 |
| | | | Clamp, Plastic (1/2") | 1 | 2 |
| | | | Tie Wrap (8" L) | 1 | 4 |
| 2 | | 1110774 | Tubing, PVC (1/4 x 2-1/2") | 1 | 2 |
| 3 | | 2001682 | Tie Wrap (8" L) | 1 | 9 |
| 4 | E | 1137252-NLA | NLA - P.E. Valve Assembly | 1 | 1 |
| 4 | | 2001656 | PE Valve Assembly w/ Fitting | 1 | 1 |
| 5 | | 1108783 | Tubing, Braided (1/2 x 23") | 1 | 1 |
| 6 | | 2001652 | Clamp, Plastic (1/2") | 1 | 2 |
| 7 | | 1002807 | Clamp, Hose | 1 | 3 |
| 8 | | 1075666 | Screw, Socket Button Head Cap, Regulator (8-32 x 3/8") | 1 | 4 |
| 9 | | 1108784 | Tubing, Braided (1/2 x 20-1/4") | 1 | 1 |
| 10 | B | 1104310 | Kit, Check Valve | 1 | 1 |
| | | | Clamp, Hose | 1 | 2 |
| | | | Tie Wrap (3-29/32" L) | 1 | 1 |
| | | | Instruction Sheet | 1 | 1 |
| | | | Check Valve, Barb (5/16") | 1 | 2 |
| | | | Tie Wrap (8" L) | 1 | 9 |
| | | | Tube, Clear (1/4") | 1 | 1 |
| 11 | D,F | 1130681 | Product Tank Assembly | 1 | 1 |
| 12 | C,F | 1116433 | HomeFill Tubing Assembly | 1 | 1 |
| 13 | | 1130675 | Product Tank Assembly - 10LXO2 | 1 | 1 |
| 13 | G,K | 1130066-NLA | NLA - Regulator, Manifold Mount, 10L w/ O2 Bleed | 1 | 1 |
| 13 | H | 1162040 | Kit, Regulator w/ SenO2 | 1 | 1 |
| | | | NLA - Regulator | 1 | 1 |
| | | | Screw, Socket Button Head Cap, Regulator (8-32 x 3/8") | 1 | 4 |
| | | | NLA - O-Ring (11/64" I.D.) | 1 | 2 |
| 14 | | 1108809 | Tubing, PVC (1/4 x 12-3/4") | 1 | 1 |
| 15 | | 1070050 | Tie Wrap (3-29/32" L) | 1 | 1 |
| 16 | J | 1154223-NLA | NLA - Tech Only - Restraint, Sieve Bed | 1 | 1 |
| 17 | | 1128404 | Screw, Phillips Hex Washer Head (#8-32 x 3/8") | 1 | 1 |
| 18 | | P0870X490 | Washer, Flat (#8) | 1 | 1 |
| 19 | J | 1154224-NLA | NLA - Tech Only - Support, Sieve Bed | 1 | 2 |

NOTE: A - Includes (2) Sieve Beds, (2) Clamps, (2) Hose Clamps and (4) Tie Wraps.
 B - Includes (2) Check Valve, (1) Cable Tie, (2) Hose Clamps, Tubing and (9) Tie Wraps.
 C - Includes Fitting, Tubing, Restrictor and Filter.
 D - Includes Product Tank, Cap with O-Ring, Snap Ring and Regulator.
 E - Includes Valve, Tubing and Tie Wraps. 1137252 is No longer available. Order 2001656 as a replacement.
 F - Due to design change the HomeFill Tubing Assembly has changed from a 8-1/2" to a 18" Hose, with a removal of the fitting as well. The change is compatible with existing units.
 G - Regulator does have an O2 bleed port
 H - Kit includes the Regulator, (4) Screws, (2) O-Rings
 J - Parts are not available at US ISP, purchased directly from China for Europe.
 K - No longer available as a service part, please use 1130675 as its replacement.