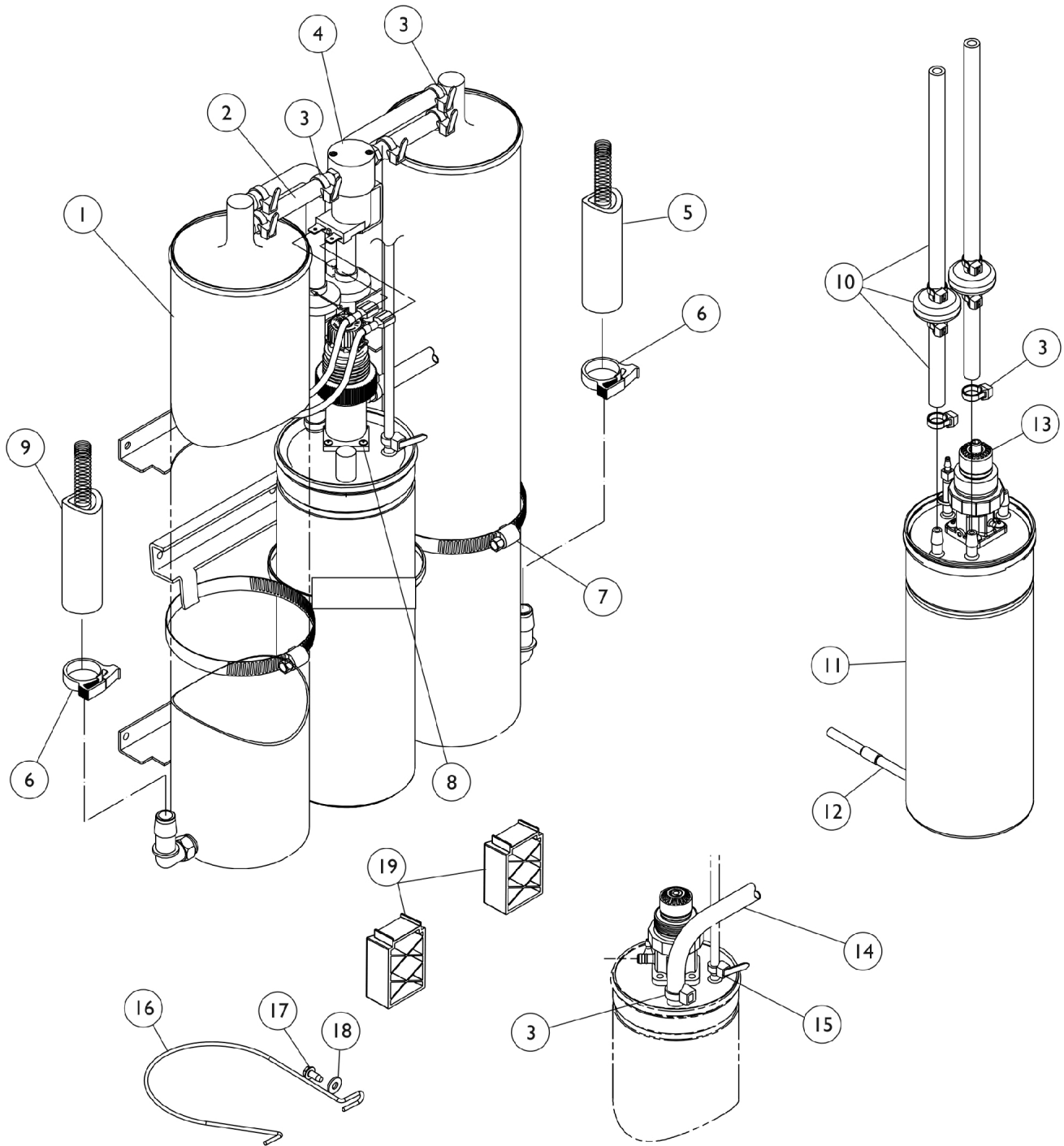


# Sieve Beds and Product Tank



Product Tank  
Shown for Ref. Only

## Sieve Beds and Product Tank

Item Number	Note	Part Number	Description	Quantity Per	
				Package	Assembly
1	A,K	1101707	Sieve Bed Assembly (Pair)	1	1
2		1110774	Tubing, PVC (1/4 x 2-1/2")	1	2
3		2001682	Tie Wrap (8" L)	1	9
4	E	1137252-NLA	NLA - P.E. Valve Assembly	1	1
4		2001656	PE Valve Assembly w/ Fitting	1	1
5		1108783	Tubing, Braided (1/2 x 23")	1	1
6		2001652	Clamp, Plastic (1/2")	1	2
7		1002807	Clamp, Hose	1	3
8		1075666	Screw, Socket Button Head Cap, Regulator (8-32 x 3/8")	1	4
9		1108784	Tubing, Braided (1/2 x 20-1/4")	1	1
10	B	1104310	Kit, Check Valve	1	1
			Clamp, Hose	1	2
			Tie Wrap (3-29/32" L)	1	1
			Instruction Sheet	1	1
			Check Valve, Barb (5/16")	1	2
			Tie Wrap (8" L)	1	9
			Tube, Clear (1/4")	1	1
11	D,F	1130681	Product Tank Assembly	1	1
12	C,F	1116433	HomeFill Tubing Assembly	1	1
13	G	1075506-NLA	NLA - Regulator	1	1
13	H	1162040	Kit, Regulator w/ SenO2	1	1
			NLA - Regulator	1	1
			Screw, Socket Button Head Cap, Regulator (8-32 x 3/8")	1	4
			NLA - O-Ring (11/64" I.D.)	1	2
14		1108809	Tubing, PVC (1/4 x 12-3/4")	1	1
15		1070050	Tie Wrap (3-29/32" L)	1	1
16	J	1154223-NLA	NLA - Tech Only - Restraint, Sieve Bed	1	1
17		1128404	Screw, Phillips Hex Washer Head (#8-32 x 3/8")	1	1
18		P0870X490	Washer, Flat (#8)	1	1
19	J	1154224-NLA	NLA - Tech Only - Support, Sieve Bed	1	2

NOTE: A - Includes (2) Sieve Beds, (2) Clamps, (2) Hose Clamps and (4) Tie Wraps.  
 B - Includes (2) Check Valve, (1) Cable Tie, (2) Hose Clamps, Tubing and (9) Tie Wraps.  
 C - Includes Fitting, Tubing, Restrictor and Filter.  
 D - Includes Product Tank, Cap with O-Ring, Snap Ring and Regulator.  
 E - Includes Valve, Tubing and Tie Wraps. 1137252 is No longer available. Order 2001656 as a replacement.  
 F - Due to design change the HomeFill Tubing Assembly has changed from a 8-1/2" to a 18" Hose, with a removal of the fitting as well. The change is compatible with existing units.  
 G - Regulator does have an O2 bleed port  
 H - Kit includes the Regulator, (4) Screws, (2) O-Rings  
 J - Not available as US ISP, purchased directly from China by Europe.  
 K - May contain reactivated sieve.