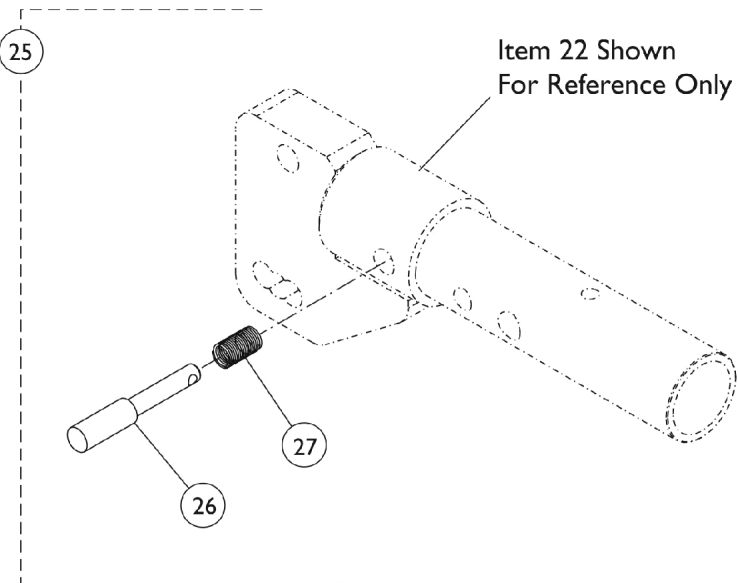
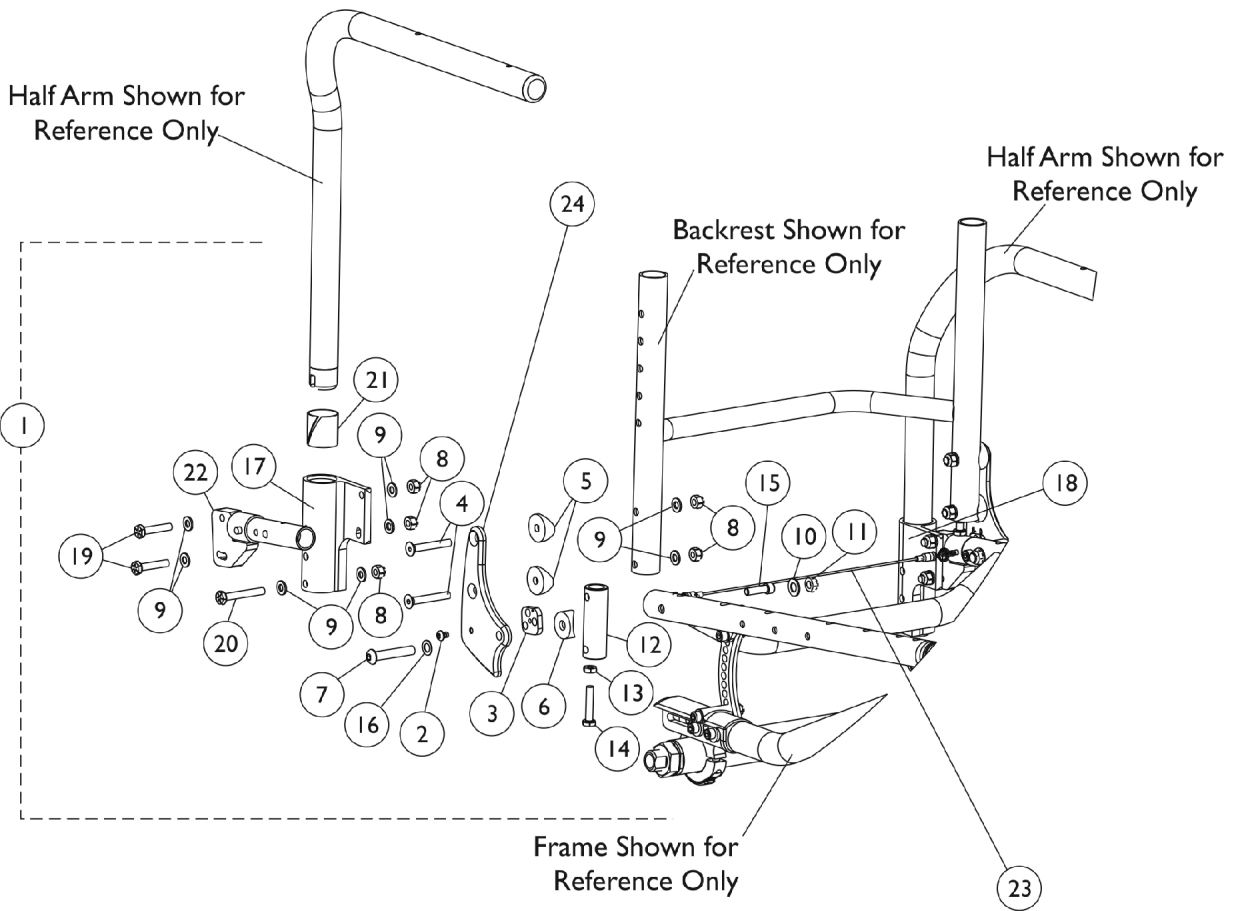


# Backrest Mounting Hardware



## Backrest Mounting Hardware

Item Number	Note	Part Number	Description	Quantity Per	
				Package	Assembly
1	A	1159751-NLA	NLA - Hardware, Backrest	1	1
2			Screw, Socket, Button Head w/ Patch (10-32 x 1/4")	1	2
3			NLA - Square, Adjustment	1	2
4			Screw, Socket, Flat Head, (1/4-28 x 1-3/4")	1	4
5			Spacer, Coved (1/4 x 1 x 9/16")	1	4
6			Spacer, Coved (3/4 x 1 x 1/2")	1	2
7			NLA - Screw, Socket Button Head (5/16-24 x 1-3/4")	1	2
8			Locknut (1/4-28)	1	4
9			NLA - Washer, Steel (1/4 x 1/2 x 3/64")	1	2
10			Washer, Steel (21/64 x 5/8 x 3/64")	1	2
11			Locknut (5/16-24)	1	2
12			NLA - Insert, Cane, Rear, Black	1	2
13			Nut, Hex, Jam (1/4-28)	1	2
14			Screw, Hex (1/4-28 x 1-1/4")	1	2
15			Screw, Socket Head (1/4-28 x 7/8")	1	2
16			Washer, Nylon (5/16 x 17/32 x 1/32")	1	2
1	B,E	1159752-NLA	NLA - Hardware, Backrest	1	1
2			Screw, Socket, Button Head w/ Patch (10-32 x 1/4")	1	2
3			NLA - Square, Adjustment	1	2
4			Screw, Socket, Flat Head, (1/4-28 x 1-3/4")	1	4
5			Spacer, Coved (1/4 x 1 x 9/16")	1	4
6			Spacer, Coved (3/4 x 1 x 1/2")	1	2
7			NLA - Screw, Socket Button Head (5/16-24 x 1-3/4")	1	2
8			Locknut (1/4-28)	1	4
9			NLA - Washer, Steel (1/4 x 1/2 x 3/64")	1	2
10			Washer, Steel (21/64 x 5/8 x 3/64")	1	2
11			Locknut (5/16-24)	1	2
12			NLA - Insert, Cane, Rear, Black	1	2
13			Nut, Hex, Jam (1/4-28)	1	2
14			Screw, Hex (1/4-28 x 1-1/4")	1	2
15			Screw, Socket Head (1/4-28 x 7/8")	1	2
16			Washer, Nylon (5/16 x 17/32 x 1/32")	1	2
17		NLA - Socket, Half Arm - Right	1	1	
18		NLA - Socket, Half Arm - Left	1	1	
19		Screw, Hex (1/4-28 x 1-1/2")	1	4	
20		Screw, Hex (1/4-28 x 1-3/4")	1	2	
21		Sleeve, Bearing	1	2	
22		NLA - Swingaway Arm Mounting Assembly - Right	1	1	
22		NLA - Swingaway Arm Mounting Assembly - Left	1	1	
22	E	1159088-NLA	NLA - Swingaway Arm Mounting Assembly - Right	1	1
22	E	1159089-NLA	NLA - Swingaway Arm Mounting Assembly - Left	1	1
23	D	1159762-NLA	NLA - Cord, Back Release (12" W)	1	1
23	D	1159763-NLA	NLA - Cord, Back Release (13" W)	1	1
23	D	1159764-NLA	NLA - Cord, Back Release (14" W)	1	1
23	D	1159765-NLA	NLA - Cord, Back Release (15" W)	1	1
23	D	1159766-NLA	NLA - Cord, Back Release (16" W)	1	1
23	D	1159767-NLA	NLA - Cord, Back Release (17" W)	1	1

## Backrest Mounting Hardware

Item Number	Note	Part Number	Description	Quantity Per	
				Package	Assembly
23	D	1159768-NLA	NLA - Cord, Back Release (18" W)	1	1
23	D	1159769-NLA	NLA - Cord, Back Release (19" W)	1	1
23	D	1159789-NLA	NLA - Cord, Back Release (20" W)	1	1
24		1157248-NLA	NLA - Bracket, Back, Black - Right	1	1
24		1157249-NLA	NLA - Bracket, Back, Black - Left	1	1
24		1157252-NLA	NLA - Bracket, Back, Silver - Right	1	1
24		1157253-NLA	NLA - Bracket, Back, Silver - Left	1	1
24		1157246-NLA	NLA - Bracket, Back, Blue - Right	1	1
24		1157247-NLA	NLA - Bracket, Back, Blue - Left	1	1
24		1157250-NLA	NLA - Bracket, Back, Red - Right	1	1
24		1157251-NLA	NLA - Bracket, Back, Red - Left	1	1
25	F	1165867	Kit, Plunger Pin w/ Spring	1	1
26			Pin, Plunger	1	1
27			Spring, Pin, Plunger (1/4 x 13/16 x .020)	1	1
<p>NOTE: A - For use on T-Arm or no arms. Includes items 2-16.            B - For use on Swingaway Arms. Includes items 2-22.            D - The Back Release Cord includes the Split Ring on each end but DOES NOT INCLUDE the Plunger Pins or Springs. It is recommended when ordering a new Back Release Cord, Item 25 (Kit, Plunger Pin w/ Spring) be ordered also.            E - Item 22 (Swingaway Arm Mounting Assembly) includes the Plunger Pin and Spring.            F - Kit includes Items 26 and 27.</p>					