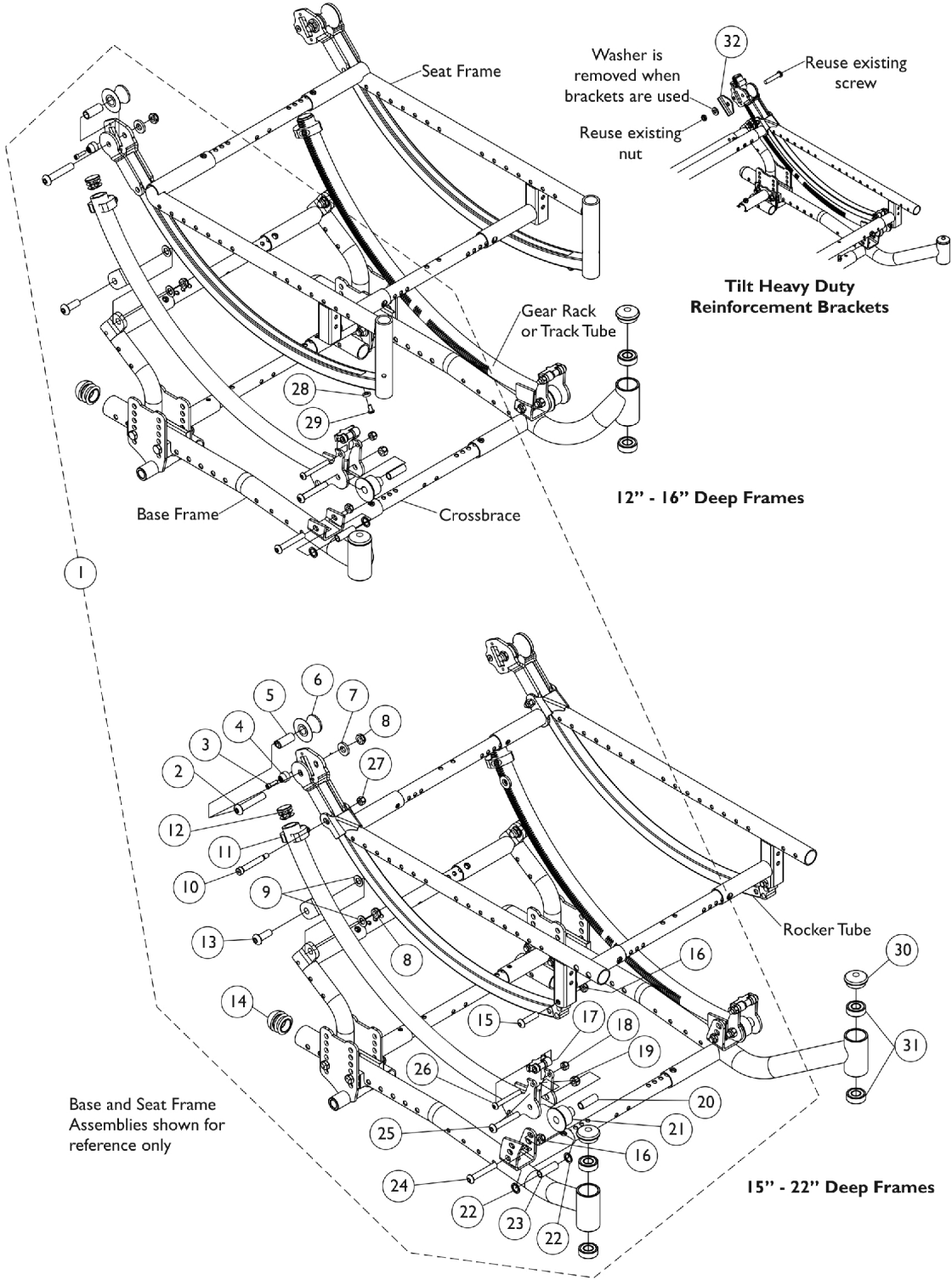


# Base Frame and Seat Frame Hardware

TRRO and TRBKTS Transport Ready chairs requiring Base Frame or Seat Frame Hardware must be returned to Invacare for service



# Base Frame and Seat Frame Hardware

**TRRO and TRBKTS Transport Ready chairs requiring Base Frame or Seat Frame Hardware must be returned to Invacare for service**

Item Number	Note	Part Number	Description	Quantity Per	
				Package	Assembly
1	A,B	1164091	Kit, Frame Hardware	1	1
2			Screw, Socket Button Head (3/8-16 x 2")	1	2
3			Screw, Socket Head (#8-32 x 5/8")	1	2
4			Roller, Upstop	1	2
5			Bushing (3/8 x 31/64 x 1-1/8")	1	2
6			Roller, Rear	1	2
7			Washer (25/64 x 13/16 x 1/8")	1	2
8			Locknut (3/8-16)	1	4
9			Washer (25/64 x 11/16 x 1/32")	1	4
10			Screw, Shoulder Hex Socket Head (5/16 x 1-3/4", 1/4-20)	1	2
11			Screw, Socket Head (1/4-20 x 1/2")	1	2
11			Collar, Lockout Tilt, Black	1	2
11			Collar, Lockout Tilt, Threaded, Black	1	2
12			Plug Button, Black (7/8")	1	2
13			Screw, Socket Button Head (3/8-16 x 1")	1	2
14			Plug Button, Dome, Black (1-1/4")	1	2
15			Screw, Socket, Button Head Cap (5/16-24 x 1-1/2)	1	2
16			Locknut (5/16-24)	1	4
17			Bushing, Tilt	1	2
18			Locknut (1/4-28)	1	2
19			Locknut (5/16-18)	1	2
20			Bushing (5/16 x 27/64 x 1-1/4")	1	2
21			Roller, Front	1	2
22			Washer (15/32 x 5/8 x 3/64")	1	4
23			Bushing (5/16 x 27/64 x 1-11/32")	1	2
24			Screw, Socket Button Head (5/16-24 x 2")	1	2
25			Screw, Socket Button Head (5/16-18 x 2")	1	2
26			NLA - Screw, Socket Button Head (1/4-28 x 2")	1	2
27			Locknut (1/4-20)	1	2
28			NLA - Spacer, Nylon (1/4 x 7/16 x 1/8")	1	2
29			Screw, Phillips Pan Head Tap (#10-32 x 3/8")	1	2
30		1088523	Plug Button, Head Tube, Black	1	2
31		40117X021	Bearing (1/2" I.D. x 1-1/8" O.D.)	1	4
32		1159527	Package, Bracket, Reinforcement, Heavy Duty Tilt, Black (Pair)	2	1

**NOTE:** A - Includes items 2-29. Frame Hardware covers the right and left side for both 12" - 16" & 15" - 22" deep frames.  
 B - Items 10, 15, 16 and 27 used to attach the Rocker Tube is for 15" - 22" deep Seat Frames only. Items 28 and 29 used for 12" - 16" deep Seat Frames only