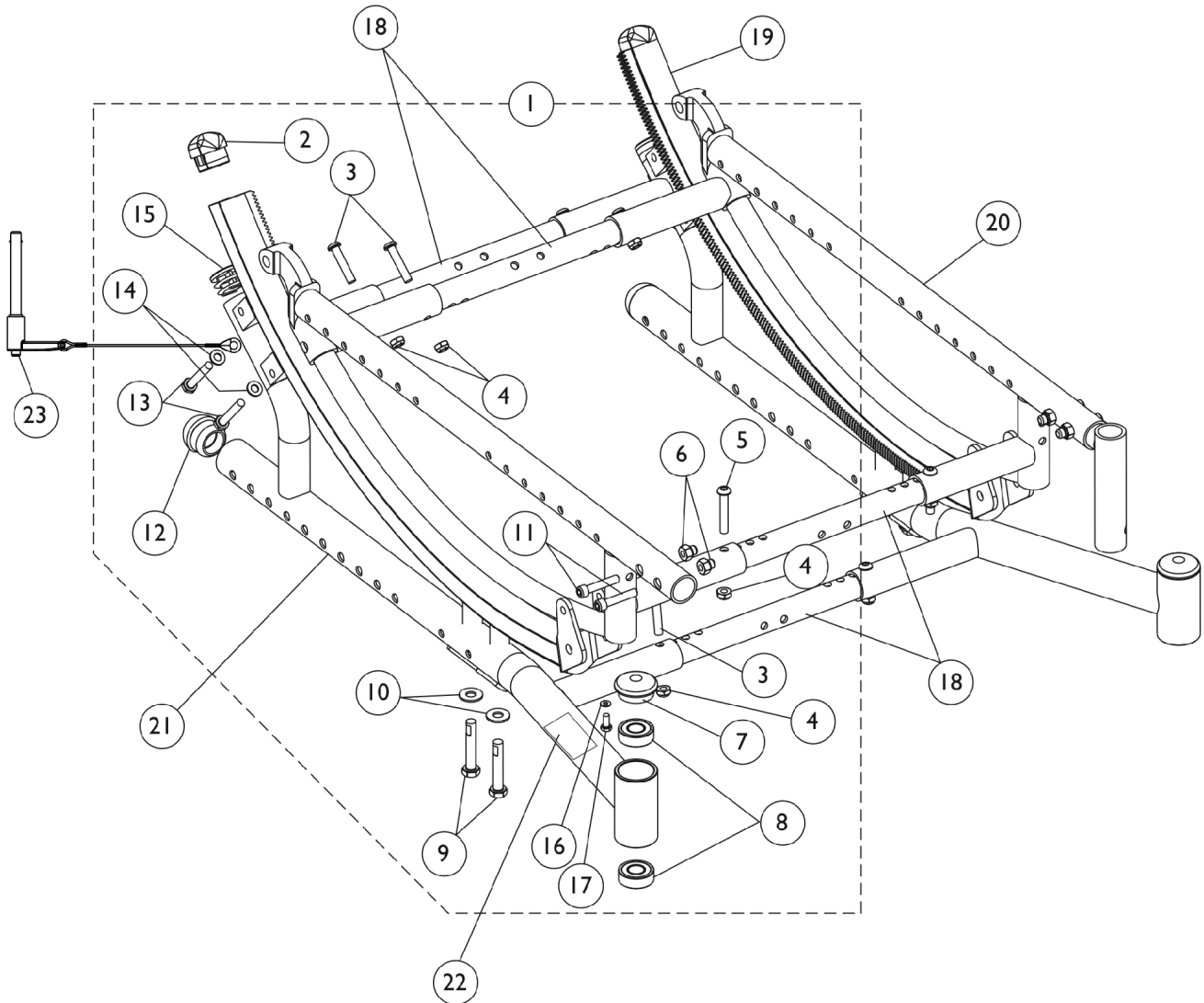


Base Frame, Seat Frame, and Hardware

After 12/01/06

Transport Ready Chairs requiring Frames and/or Frame Hardware parts must be returned to Invacare for service. The Quick Release Pin with L-Handle and Lanyard part #1142462 item 23 is available



Base Frame, Seat Frame, and Hardware

After 12/01/06

Transport Ready Chairs requiring Frames and/or Frame Hardware parts must be returned to Invacare for service. The Quick Release Pin with L-Handle and Lanyard part #1142462 item 23 is available

Item Number	Note	Part Number	Description	Quantity Per	
				Package	Assembly
1	A,B,F	1142726-NLA	NLA - Kit, Frame Hardware	1	1
2			Plug Button, Black (1 x 1-1/4")	1	1
3			Screw, Socket Button Head (1/4-28 x 1-1/4")	1	3
4			Locknut (1/4-28)	1	4
5			Screw, Socket Button Head (1/4-28 x 1-1/2")	1	1
6			Nut, Hex (1/4-28)	1	2
7			Plug Button, Head Tube, Black	1	1
8			Bearing (1/2" I.D. x 1-1/8" O.D.)	1	2
9			Screw (5/16-24 x 2")	1	2
10			Washer, Steel (5/16 x 3/4 x 1/16")	1	2
11			Screw, Allen Head (1/4-28 x 1-1/4")	1	2
12			Plug Button, Dome, Black (1-1/4")	1	1
13			Screw, Hex Head (1/4-28 x 1-5/8")	1	2
14			Washer (1/4 x 1/2 x 1/16")	1	2
15			Plug Button, Black (1")	1	1
16			NLA - Spacer, Nylon (1/4 x 7/16 x 1/8")	1	1
17			Screw, Phillips Pan Head Tap (#10-32 x 3/8")	1	1
18	E	See Chart	#18 Kit, Crossbraces with Hardware	1	1
19	C	1142899-NLA	NLA - Gear Rack Assembly with Angle Tilt Decal - Right	1	1
19	C	1142900-NLA	NLA - Gear Rack Assembly with Angle Tilt Decal - Left	1	1
20		See Chart	#20 Seat Frames	1	1
21	D	See Chart	#21 Base Frame Assembly	1	1
22		1128856-NLA	NLA - Decal, Model - Solara	1	1
22		1128857	Decal, Model - Spree GT	1	1
23	G	1142462	Pin, Quick Release with L-Handle and Lanyard (3/8")	1	2
	H,I	1161809	Tube, Actuator, Black - Left (16 - 22" W)	1	1

NOTE: A - Includes items 2-17
 B - Items 5 and 6 are used only on Solara chairs with front rigging hangers
 C - Includes item 2, Plug Button
 D - Includes items 8, 12, 15, and 22
 E - Kit includes 5 ea. Crossbraces and all attaching hdwr. 4 Crossbraces are required for Base/Seat Frames and 1 Crossbrace is required for Axle Mounting Hdwr.
 F - Items 16 (spacer) and item 17 (screw) are only required for Short Frame chairs.
 G - The quick release pin is used when TRRO or TRBKTS option is ordered
 H - Not Shown
 I - Actuator Tube used for the Foot Tilt Gear Rack Locking Assembly. Actuator Tube required when Crossbrace Kit part# 1127702 or 1127703 is ordered to widen a chair that originally was using 12-16" or 14-18" wide Crossbraces.

Base Frame, Seat Frame, and Hardware After 12/01/06

Transport Ready Chairs requiring Frames and/or Frame Hardware parts must be returned to Invacare for service. The Quick Release Pin with L-Handle and Lanyard part #1142462 item 23 is available

#18 Kit, Crossbraces with Hardware

Seat Width Range 12-16"	Seat Width Range 14-18"	Seat Width Range 16-20"	Seat Width Range 18-22"	Quantity
1127700-NLA See Note(s) A	1127701-NLA See Note(s) A	1127702-NLA See Note(s) B1, A, B	1127703-NLA See Note(s) B1, B, A, C	1
N/A	N/A	N/A	1164095	1
N/A	N/A	N/A	1025765	14
N/A	N/A	N/A	1055309	10
N/A	N/A	N/A	1083099	4

NOTE: A - As of 8/9/07, the finish changed from black anodize to flat black.
 B - If a chair is equipped with a Foot Pedal Tilt Release and a customer is ordering Crossbrace Kit part #1127702 or 1127703 to widen a chair that originally uses 12-16" or 14-18" wide crossbraces,
 B1 - the Left Side Actuator Tube (16-22" Wide) part #1161809 for the Foot Tilt Gear Rack Locking Assembly must be ordered also.
 C - See part #'s listed below part #1127703 and order together 1 ea. 1164095 Kit, Crossbrace Tubes, 14 ea. 1025765 Locknuts (1/4-28), 10 ea. 1055309 Screw, SBH (1/4-28 x 1-1/4") and 4 ea. 1083099 Screw, SBH (1/4-28 x 1-1/2") as a replacement.

#20 Seat Frames

Specify frame finish when ordering

Seat Depth Range	Right	Left
12-16"	8881141900 See Note(s) A	8881141901 See Note(s) A
15-19"	8881141902 See Note(s) A	8881141903 See Note(s) A
18-22"	8881141904-NLA See Note(s) A	8881141905 See Note(s) A

NOTE: A - Specify frame finish when ordering

Base Frame, Seat Frame, and Hardware

After 12/01/06

Transport Ready Chairs requiring Frames and/or Frame Hardware parts must be returned to Invacare for service. The Quick Release Pin with L-Handle and Lanyard part #1142462 item 23 is available

#21 Base Frame Assembly

Includes items 8,12, 15, and 22. Specify frame finish when ordering.

Seat Depth Range	Solara Right	Solara Left	Spree GT Right	Spree GT Left
12-16"	8881121738-NLA See Note(s) A	8881121739 See Note(s) A	8881121744-NLA See Note(s) A	8881121745-NLA See Note(s) A
15-19"	8881121740 See Note(s) A	8881121741 See Note(s) A	8881121746-NLA See Note(s) A	8881121747-NLA See Note(s) A
18-22"	8881121742 See Note(s) A	8881121743 See Note(s) A	N/A	N/A
NOTE: A - Specify frame finish when ordering				