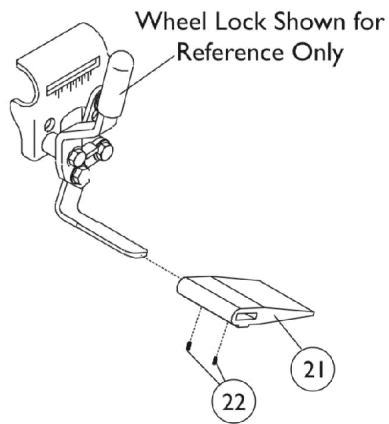
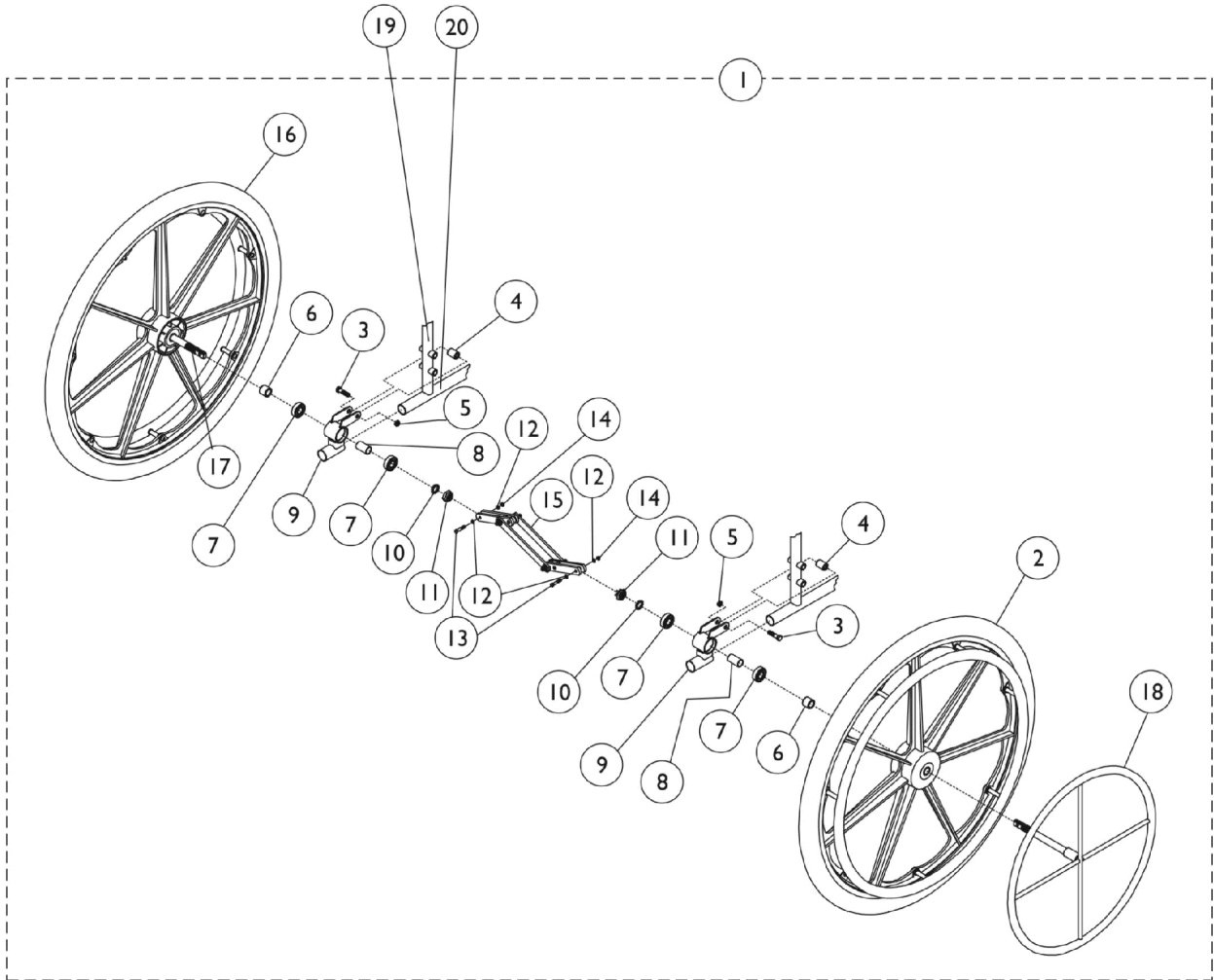


# One Arm Drive - SX & DLX



## One Arm Drive - SX & DLX

Item Number	Note	Part Number	Description	Quantity Per	
				Package	Assembly
1	A	See Chart	One Arm Drive Assembly - SX & DLX	1	1
2	B	1016420	Wheel Assembly w/ Clear Anodized Handrim, Composite, Pneumatic Mag (24")	1	1
2	B	1036190	Wheel Assembly w/ Clear Anodized Handrim, Composite, Pneumatic Mag w/ Flat Free Insert (24")	1	1
2	H	1091816	Wheel Assembly w/ Clear Anodized Handrim, Composite, Corded Urethane (24")	1	1
3		11239X001	Screw, Hex Head (5/16-24 x 1-1/2")	1	4
4		1017843-NLA	NLA - Spacer, Chrome (5/16 x 11/16 x 15/16")	1	2
5		1107321	Nut, Low Cap (5/16"-24)	1	2
6		47183X021	Spacer (5/8 x 7/8 x 3/4")	1	1
7		40117X006	Bearing (5/8")	1	4
8		1067747	Spacer, Bearing (5/8 x 3/4 x 1-3/64")	1	2
9	F	1058694	Bracket, One Arm Drive, Black	1	2
9	G	1058695	Bracket, One Arm Drive, Black	1	2
10		48323X013	Washer (5/8 x 7/8 x 1/8")	1	2
11		60030X000	Locknut (5/8-18)	1	2
12		40157X000	Washer, Steel (11/32 x 5/8 x 3/64")	1	4
13		1019101	Screw, Hex Head (1/4-28 x 1-1/2")	1	2
14		60320X000	Locknut (1/4-28)	1	2
15		1019105	Scissor Assembly (14 - 15" W)	1	1
15		1019104	Scissor Assembly (16 - 17" W)	1	1
15		1019106	Scissor Assembly (18 - 19" W)	1	1
15		1048655	Scissor Assembly (20" W)	1	1
15		1019103	Scissor Assembly (20 - 22" W)	1	1
16	B	1025397-NLA	NLA - Wheel Assembly w/ Drive Axle, Composite, Pneumatic Mag (24")	1	1
16	B	1042075-NLA	NLA - Wheel Assembly w/ Drive Axle, Composite, Pneumatic Mag w/ Flat Free Insert (24")	1	1
16	H	1091817	Wheel Assembly w/ Drive Axle, Composite, Corded Urethane (24")	1	1
17		1028609	Axle, Drive	1	1
18	C	1020454	Handrim, Dual Drive	1	1
18	D	1020455	Handrim, Dual Drive	1	1
19		1023618	Insert, Guide Tube, Black (1" Long)	1	2
20		1074057-NLA	NLA - Insert, Tube Guide	1	2
	E,I	1023334-NLA	NLA - Instruction Sheet	1	1
21		1024431	Spacer, Wheel Lock Shoe (1-45/64")	1	1
22		1008438	Screw, Set Socket Cup Point (#8-32 x 3/16")	1	2

## One Arm Drive - SX & DLX

- NOTE:
- A - Includes items 1-18 and an instruction sheet.
  - B - In order for this option to fit properly on the Flip-Back style arms, an extra bushing, item 6, for each side needs to be ordered.
  - C - For use on removable arm style chairs.
  - D - For use on permanent arm style chairs.
  - E - Not shown.
  - F - For use on Adult style wheelchairs.
  - G - For use on Hemi style wheelchairs.
  - H - Non-Corded Tire replaced with a Corded Tire as of 11/16/09. It is recommended that both sides of the Wheel Assemblies be ordered for chairs manufactured before 11/16/09.
  - I - Item is no longer available from the Invacare Service Parts Department. Refer to the Invacare Website under "Product Literature Search". Enter the part number in the "Keywords" field and download a free PDF version copy.

## One Arm Drive - SX & DLX

Chair Width	Seat to Floor	Pneumatic Tires - Right	Pneumatic Tires - Left	Pneumatic with Flat Free - Right	Pneumatic with Flat Free - Left	Urethane - Right	Urethane - Left
14"	Adult	1058716-NLA See Note(s) B, A	1058717-NLA See Note(s) A, B	1058696 See Note(s) B, A	1058697 See Note(s) B, A	1099553 See Note(s) B, A	1099554 See Note(s) B, A
	Hemi	1058726-NLA See Note(s) B, A	1058727-NLA See Note(s) B, A	1058706 See Note(s) A, B	1058707 See Note(s) A, B	1099563 See Note(s) A, B	1099564 See Note(s) B, A
16"	Adult	1058718-NLA See Note(s) B, A	1058719-NLA See Note(s) B, A	1058698 See Note(s) A, B	1058699 See Note(s) B, A	1099555 See Note(s) B, A	1099556 See Note(s) A, B
	Hemi	1058728-NLA See Note(s) B, A	1058729-NLA See Note(s) A, B	1058708 See Note(s) A, B	1058709 See Note(s) A, B	1099565 See Note(s) B, A	1099566 See Note(s) A, B
18"	Adult	1058720-NLA See Note(s) B, A	1058721-NLA See Note(s) B, A	1058700 See Note(s) A, B	1058701 See Note(s) A, B	1099557 See Note(s) B, A	1099558 See Note(s) A, B
	Hemi	1058730-NLA See Note(s) B, A	1058731-NLA See Note(s) A, B	1058710 See Note(s) A, B	1058711 See Note(s) A, B	1099567 See Note(s) B, A	1099568 See Note(s) A, B
20"	Adult	1058722-NLA See Note(s) A, B	1058723-NLA See Note(s) B, A	1058702 See Note(s) A, B	1058703 See Note(s) A, B	1099559 See Note(s) B, A	1099560 See Note(s) B, A
	Hemi	1058732-NLA See Note(s) A, B	1058733-NLA See Note(s) A, B	1058712 See Note(s) A, B	1058713 See Note(s) B, A	1099569 See Note(s) A, B	1099570 See Note(s) B, A
22"	Adult	1058724-NLA See Note(s) A, B	1058725-NLA See Note(s) A, B	1058704 See Note(s) B, A	1058705 See Note(s) B, A	1099561 See Note(s) B, A	1099562 See Note(s) A, B
	Hemi	1058734-NLA See Note(s) A, B	1058735-NLA See Note(s) A, B	1058714 See Note(s) B, A	1058715 See Note(s) B, A	1099571 See Note(s) B, A	1099572 See Note(s) A, B

NOTE: A - In order for this option to fit properly on the Flip-Back style arms, an extra bushing for each side needs to be ordered. Part number 74183X021.  
B - Part number shows the side of chair the drive handrim is on.