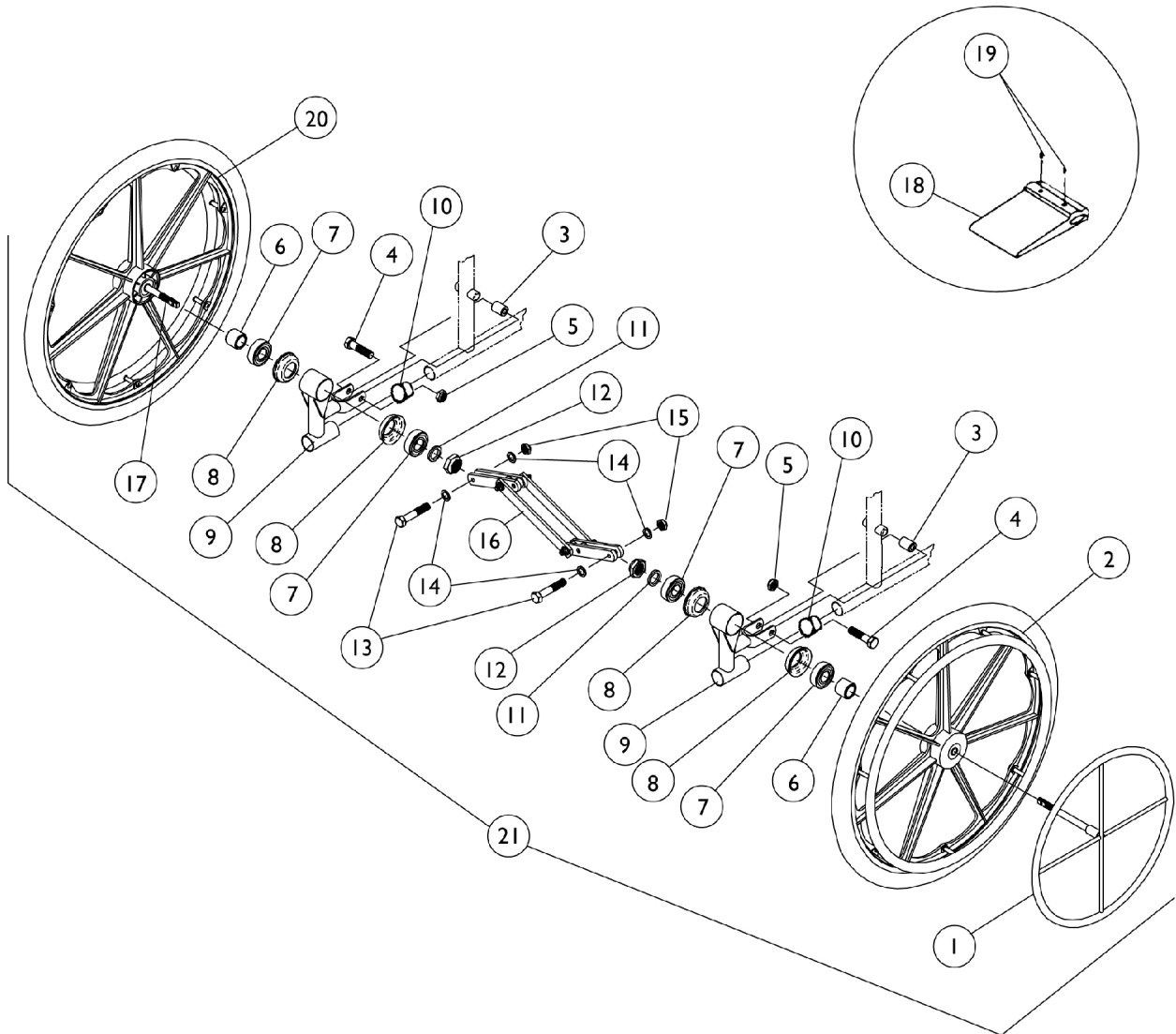


# One Arm Drive (For Use On Tracer LX Only)

**NOTE:** Due to the possibility of various manufacturing dates for Tracer IV Wheelchairs built with a serial # starting with "03H" or "03I", replacement parts will need to be ordered thru an Invacare Parts Specialist at 1-800-333-6900.



## One Arm Drive (For Use On Tracer LX Only)

**NOTE: Due to the possibility of various manufacturing dates for Tracer IV Wheelchairs built with a serial # starting with "03H" or "03I", replacement parts will need to be ordered thru an Invacare Parts Specialist at 1-800-333-6900.**

Item Number	Note	Part Number	Description	Quantity Per	
				Package	Assembly
1	C	1020454	Handrim, Dual Drive	1	1
1	D	1020455	Handrim, Dual Drive	1	1
2		1058164-NLA	NLA - Wheel Assembly w/ Chrome Handrim, Composite, DTM Tire, Black (24")	1	1
2	E	1091816	Wheel Assembly w/ Clear Anodized Handrim, Composite, Corded Urethane (24")	1	1
3		47324X011	Bushing, Pivot (5/16 x 7/8 x 3/4")	1	2
4		11232X009	Bolt, Lug (5/16-24 x 1-3/8")	1	2
5		1107321	Nut, Low Cap (5/16"-24)	1	2
6	D	48323X013	Washer (5/8 x 7/8 x 1/8")	1	2
6	C	47183X018	Spacer (5/8 x 7/8 x 1/2")	1	2
7		40117X006	Bearing (5/8")	1	4
8		57769X000-NLA	NLA - Cup, Bearing	1	4
9		04604X030-NLA	NLA - Bracket, Chrome	1	2
10		1029501	Plug Button, Black (1")	1	2
11		48323X013	Washer (5/8 x 7/8 x 1/8")	1	2
12		60030X000	Locknut (5/8-18)	1	2
13		1019101	Screw, Hex Head (1/4-28 x 1-1/2")	1	2
14		40157X000	Washer, Steel (11/32 x 5/8 x 3/64")	1	4
15		60320X000	Locknut (1/4-28)	1	2
16		1019105	Scissor Assembly (14 - 15" W)	1	1
16		1019106	Scissor Assembly (18 - 19" W)	1	1
16		1048655	Scissor Assembly (20" W)	1	1
17	D	1020710-NLA	NLA - Axle, Drive	1	1
17	C	1020709-NLA	NLA - Axle, Drive	1	1
18		1016979	Spacer, Wheel Lock Shoe (2-7/16")	1	1
19		1008438	Screw, Set Socket Cup Point (#8-32 x 3/16")	1	2
20	D	1058166-NLA	NLA - Wheel Assembly w/ Drive Axle, Composite, DTM Tire, Black (24")	1	2
20	D	1108394	Wheel Assembly w/ Drive Axle, Composite, Urethane (24")	1	2
20	D	1025396-NLA	NLA - Wheel Assembly w/ Drive Axle, Composite, Pneumatic Mag (24")	1	2
20	D	1036189-NLA	NLA - Wheel Assembly w/ Drive Axle, Composite, Pneumatic Mag w/ Flat Free Insert (24")	1	2
20	C	1058165-NLA	NLA - Wheel Assembly w/ Drive Axle, Composite, DTM Tire, Black (24")	1	2
20	E	1091817	Wheel Assembly w/ Drive Axle, Composite, Corded Urethane (24")	1	2
20	C	1025397-NLA	NLA - Wheel Assembly w/ Drive Axle, Composite, Pneumatic Mag (24")	1	2
20		1042075-NLA	NLA - Wheel Assembly w/ Drive Axle, Composite, Pneumatic Mag w/ Flat Free Insert (24")	1	2
21		See Chart	#21 - One Arm Drive, DTM Tires	1	1

## One Arm Drive (For Use On Tracer LX Only)

**NOTE:** Due to the possibility of various manufacturing dates for Tracer IV Wheelchairs built with a serial # starting with "03H" or "03I", replacement parts will need to be ordered thru an Invacare Parts Specialist at 1-800-333-6900.

Item Number	Note	Part Number	Description	Quantity Per	
				Package	Assembly
21		See Chart	#21 - One Arm Drive, Pneumatic Tires	1	1
21		See Chart	#21 - One Arm Drive, Pneumatic with Flat Free Insert	1	1
NOTE: C - Removable Arm Chairs D - Permanent Arm Chairs E - Non-Corded Tire replaced with a Corded Tire as of 11/16/09. It is recommended that both sides of the Wheel Assemblies be ordered for chairs manufactured before 11/16/09.					

### #21 - One Arm Drive, DTM Tires

Chair Width	Permanent Arms Hemi	Removable Arms Hemi	Permanent Arms Adult	Removable Arms Adult
16"	1074438	1074439	1042098-NLA	1042076-NLA
18"	1042098-NLA	1042076-NLA	1042099-NLA	1042077-NLA
20"	N/A	1074416	N/A	1074425

### #21 - One Arm Drive, Pneumatic Tires

Chair Width	Permanent Arms Hemi	Removable Arms Hemi	Permanent Arms Adult	Removable Arms Adult
16"	1074440	1074441	1042100-NLA	1042078-NLA
18"	1042100-NLA	1042078-NLA	1042101-NLA	1042079-NLA
20"	N/A	1074417	N/A	1074434

### #21 - One Arm Drive, Pneumatic with Flat Free Insert

Chair Width	Permanent Arms Hemi	Removable Arms Hemi	Permanent Arms Adult	Removable Arms Adult
16"	1074442	1074443	1042102-NLA	1042080-NLA
18"	1042102-NLA	1042080-NLA	1042103-NLA	1042081-NLA
20"	N/A	1074424	N/A	1074435