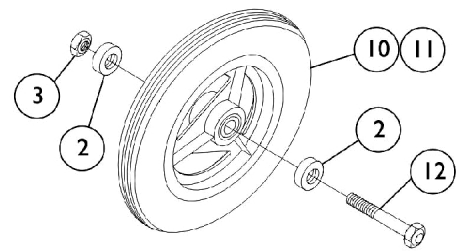
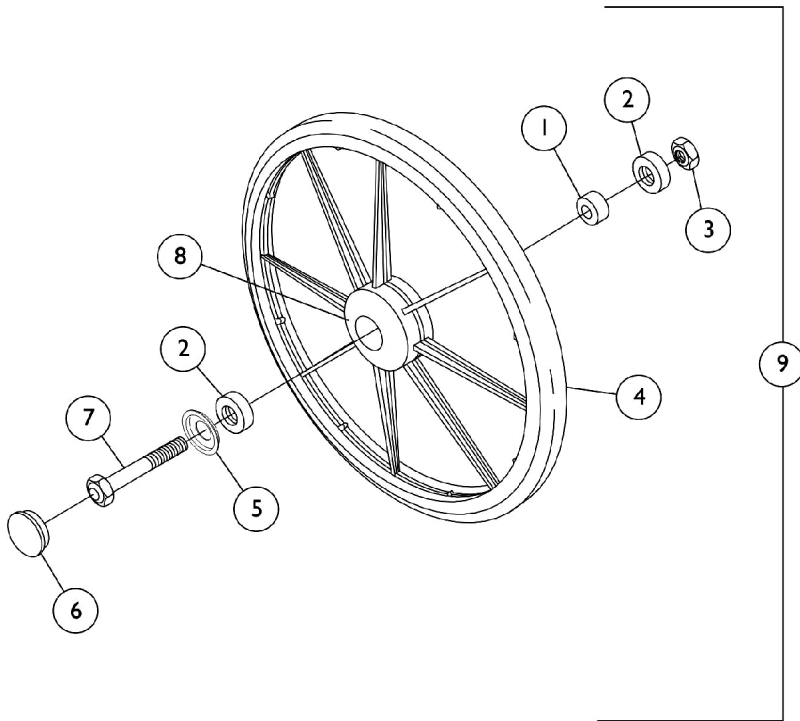


Wheels & Hardware

12", 20" and 24"

When ordering 12" wheels to replace 24" wheels, the appropriate Wheel Locks and Anti-Tippers are also required. THE PRODUCTION OF THE HTR IS CURRENTLY SUSPENDED AND SOME SERVICE PARTS MAY NOT BE AVAILABLE TO ORDER.



Wheels & Hardware

12", 20" and 24"

When ordering 12" wheels to replace 24" wheels, the appropriate Wheel Locks and Anti-Tippers are also required. THE PRODUCTION OF THE HTR IS CURRENTLY SUSPENDED AND SOME SERVICE PARTS MAY NOT BE AVAILABLE TO ORDER.

Item Number	Note	Part Number	Description	Quantity Per	
				Package	Assembly
1	D	1019695-NLA	NLA - Bearing, Spacer (5/8 x 3/4 x 1-9/32")	1	1
1	C	1015756	Bearing, Spacer (1/2 x 21/32 x 1-9/32")	1	1
2		40117X024	Bearing (7/16" I.D. x 1-3/8" O.D.)	1	2
3		1045608	Locknut (7/16-20)	1	1
4	F,I,A	40177X001-NLA	NLA - Tire, Urethane, Grey (24" x 7/8")	1	1
4		1123875-NLA	NLA - Kit, Tire, Urethane, Dark Grey (24" x 1") (Pair)	2	1
4	I	1039304	Tire, Urethane, Dark Grey (24" x 1")	1	1
4	B,O	1080400	Tire, Urethane, Dark Grey (24" x 1")	1	1
4	P	1118209	Tire, Corded Urethane, Dark Grey (24 x 1")	1	1
4		1037774	Tire, Urethane, Dark Grey (20" x 1-1/4")	1	1
5	B	1016289	Washer, Caplugs (15/32" I.D. x 1-3/32" O.D.)	1	1
6	A	1027600-NLA	NLA - Cap, Black	1	1
6	B	1016291	Cap, Hub, Black	1	1
7		47203X029	Screw, Hex Head (7/16-20 x 4-1/2")	1	1
8	E,K,A	1025122-NLA	NLA - Wheel Assembly, Composite, DTM Tire (24")	1	1
8	E,G,H, B	1080378	Wheel Assembly, Composite, Urethane (24")	1	1
8	E,J	1122726	Wheel Assembly, Composite, Corded Urethane (24")	1	1
8	E	1123880	Kit, Wheel Assembly, Composite, Corded Urethane (24") (Pair)	2	1
8	E	1038555	Wheel Assembly, Composite, Urethane (20")	1	1
9	L,M	430055-NLA	NLA - Kit, Wheel Assembly w/ Hardware, Composite, Urethane (24") (Pair)	2	1
9	L	1088013	Kit, Wheel Assembly w/ Hardware, Composite, Urethane (20") (Pair)	2	1
10	N	1027177-NLA	NLA - Wheel Assembly, Pneumatic w/ Flat Free Insert (12-1/2 x 2-1/4")	1	1
11		1027176	Insert, Flat Free (12" Wheel)	1	1
12		47203X025	Bolt, Hex Head Cap (7/16-20 x 4-3/4")	1	1

Wheels & Hardware

12", 20" and 24"

When ordering 12" wheels to replace 24" wheels, the appropriate Wheel Locks and Anti-Tippers are also required. THE PRODUCTION OF THE HTR IS CURRENTLY SUSPENDED AND SOME SERVICE PARTS MAY NOT BE AVAILABLE TO ORDER.

NOTE: A - Before 1/20/00.
B - After 1/19/00.
C - Used on 20" Wheel.
D - Used on 24" Wheel.
E - Includes items 1, 2, Wheel and Tire.
F - Replace with Part #1039304
G - Replaces part #1025122. Includes the Wheel, Tire, Bearings and Bearing Spacer
H - Non-Corded Tire was replaced with a Corded Tire as of 11/16/09. refer to part #1122726 for a wheel assembly. For chairs manufactured before 11/16/09, order kit part #1123880 that has (2) each in quantity of part #1122726.
I - When replacing old style Part #40177X001, it is recommended that you replace in pairs, refer to Kit Part #1123875 due to style change. Kit includes (2) in quantity of part #1039304
J - Part #1122726 Wheel Assembly with Corded Tire replaced part #1080378 Wheel Assembly with Non-Corded Tire 11/16/09. For Chairs manufactured before 11/16/09, it is recommended to order in pairs, refer to Kit part #1123880.
K - Replace with part #1080378, it is recommended that you order in pairs, refer to Kit part #1123880 due to style change.
L - Includes items 1-8
M - The current wheel assembly being used within kit part #430055 as of 11/16/09 is part #1122726 that includes the wheel, tire, bearings and bearing spacer.
N - Includes item 2, Wheel, Tire and Flat Free Insert
O - Non-Corded Tire part #1080400 was replaced with a Corded Tire part #1118209 as of 11/16/09. It is recommended to order (2) each in quantity to match.
P - Corded Tires maybe more difficult to stretch over the wheel rim. The complete wheel assembly part # 1122726 maybe advisable. The Tire and Wheel are preassembled.