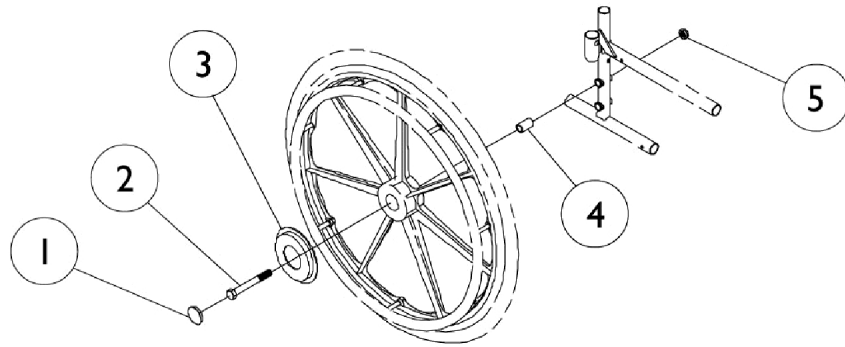


Rear Wheel & Hardware



Rear Wheel & Hardware

Rear Wheel Hardware

| Item Number | Note | Part Number | Description | Quantity Per | |
|-------------|-------------|-------------|--|--------------|----------|
| | | | | Package | Assembly |
| 1 | D | 1027600-NLA | NLA - Cap, Black | 1 | 1 |
| 1 | E | 1016291 | Cap, Hub, Black | 1 | 1 |
| 2 | F | 1085454 | Bolt, Hex Head Cap (7/16-20 x 5-1/8") | 1 | 1 |
| 2 | G | 47203X029 | Screw, Hex Head (7/16-20 x 4-1/2") | 1 | 1 |
| 2 | H | 56000X651 | Axle, Quick Release (7/16" x 5-7/16") | 1 | 1 |
| 3 | I | 1016289 | Washer, Caplugs (15/32" I.D. x 1-3/32" O.D.) | 1 | 1 |
| 4 | | 1022671 | Spacer (7/16 x 5/8 x 1/2") | 1 | 1 |
| 5 | | 1045608 | Locknut (7/16-20) | 1 | 1 |
| | A,B,G, K | 1034109 | NLA - Kit, Rear Wheel Hardware, Conventional | 1 | 1 |
| | | | Bolt, Hex Head Cap (7/16-20 x 5-1/8") | 1 | 1 |
| | | | Locknut (7/16-20) | 1 | 1 |
| | | | Spacer (7/16 x 5/8 x 1/2") | 1 | 1 |
| | | 1085454 | Bolt, Hex Head Cap (7/16-20 x 5-1/8") | 1 | 1 |
| | | 1045608 | Locknut (7/16-20) | 1 | 1 |
| | | 1022671 | Spacer (7/16 x 5/8 x 1/2") | 1 | 1 |
| | A,C,F | 1034106 | Kit, Rear Wheel Hardware | 1 | 1 |
| | | | Screw, Hex Head (7/16-20 x 4-1/2") | 1 | 1 |
| | | | Locknut (7/16-20) | 1 | 1 |
| | A,J | 1030936 | Plug, Valve Stem | 1 | 1 |
| | | See Chart | Rear Wheel & Hardware | 1 | 1 |

NOTE: A - Not Shown
 B - Includes Items 2 and 4-5.
 C - Includes 2 each of Items 2 and 5.
 D - Used with U2222 Wheel Part #1044193 listed in Rear Wheel Chart.
 E - Used with U2222 Wheel Part #1080378 and All Other Wheel Types listed in Rear Wheel Chart.
 F - Used for Permanent Arms.
 G - Used for Removable Arms.
 H - Used on Tracer SX.
 I - NOT Used with U2222 Wheel Part #1044193 listed in Rear Wheel Chart.
 J - Used on All Wheels with Flat Free Inserts.
 K - Not Shown. Components contained in Kit Hardware 1034109 must be ordered separately. Order part #1085454, 1045608, 1022671.

Rear Wheels

| Wheel Style | Single Wheel Less Handrim | Tire | Tube/ Insert | Bearing | Bearing Spacer |
|---|------------------------------|---------|-----------------|-----------|-------------------|
| Composite Urethane (20 x 1-1/4") U1763BK | 1038555 | 1037774 | N/A | 40117X024 | 1015756 |
| Composite Pneumatic (20 x 1-3/8") 1763BK | 1034126 | 1017519 | 1017520 | 40117X024 | 1015756 |

Rear Wheel & Hardware

Rear Wheels

| Wheel Style | Single Wheel Less Handrim | Tire | Tube/ Insert | Bearing | Bearing Spacer |
|---|------------------------------|------------------------------|-----------------|-----------|-------------------|
| Composite Pneumatic with Flat Free Insert (20 x 1-3/8") 4763BK | 1034127 See Note(s) A | 1017519 See Note(s) A | 1023322 | 40117X024 | 1015756 |
| Composite Urethane (22 x 1-1/4") U1764BK | 1032115 | 1028250 | N/A | 40117X024 | 1015756 |
| Composite Pneumatic (22 x 1-3/8") 1764BK | 1027149 | 1018544 | 1018545 | 40117X024 | 1015756 |
| Composite Pneumatic with Flat Free Insert (22 x 1-3/8") 4764BK | 1027150 See Note(s) A | 1018544 See Note(s) A | 1023323 | 40117X024 | 1015756 |
| Composite with DTM Tire (24 x 7/8") 2222BK | 1080378 See Note(s) B | 1080400 See Note(s) B | N/A | 40117X024 | 1015756 |
| Composite Urethane Corded (24 x 1") (9 Spoke) U2222C | 1122726 | 1118209 See Note(s) C | N/A | 40117X024 | 1015756 |
| Composite Urethane (24 x 1") (9 Spoke) U2222 EX, MGI, and MG Before 8/26/99 | 1044193 | 1039304 See Note(s) C | N/A | 40117X024 | 1015756 |
| Composite Urethane (24 x 1") (9 Spoke) U2222 EX, MGI and MG After 8/27/99 | 1080378 See Note(s) B | 1080400 See Note(s) B | N/A | 40117X024 | 1015756 |

Rear Wheel & Hardware

Rear Wheels

| Wheel Style | Single Wheel Less Handrim | Tire | Tube/ Insert | Bearing | Bearing Spacer |
|--|------------------------------|--------------------------------|-----------------|-----------|-------------------|
| Composite Urethane Corded (24 x 1") (9 Spoke) U2222C EX, MGI and MG | 1122726 | 1118209 See Note(s) C | N/A | 40117X024 | 1015756 |
| Composite Urethane (24 x 1") (9 Spoke) U2222 SX, DLX, Titan Before 3/23/99 | 1044193 | 1039304 See Note(s) C | N/A | 40117X024 | 1015756 |
| Composite Urethane (24 x 1") (9 Spoke) U2222 SX, DLX, Titan After 3/22/99 | 1080378 See Note(s) B | 1080400 See Note(s) B | N/A | 40117X024 | 1015756 |
| Composite Urethane Corded (24 x 1") (9 Spoke) U2222C SX, DLX, Titan | 1122726 | 1118209 See Note(s) C | N/A | 40117X024 | 1015756 |
| Composite Urethane (24 x 1") (7 Spoke) U2244BK | 1032117 | 1026904 | N/A | 40117X024 | 1015756 |
| Composite Pneumatic (24 x 1-3/8") 2244BK | 1025123 | 40176X060 | 40176X061 | 40117X024 | 1015756 |
| Composite Pneumatic with Flat Free Insert (24 x 1-3/8") 4244BK | 1025124 See Note(s) A | 40176X060 See Note(s) A | 1010906 | 40117X024 | 1015756 |

Rear Wheel & Hardware

NOTE: A - Wheels with Flat Free Inserts have a plug which caps an opening in the rim. See Rear Wheel Hardware for Part.
B - Non-Corded Tire replaced with a Corded Tire as of 11/16/09. Refer to U2222C part #1122726 for a wheel assembly or part #1118209 for a tire. For chairs manufactured before 11/16/09, it is recommended to order (2) each in quantity to match
C - Corded Tires maybe more difficult to stretch over the rim. The complete wheel assembly that has the tire and rim preassembled maybe be advisable.