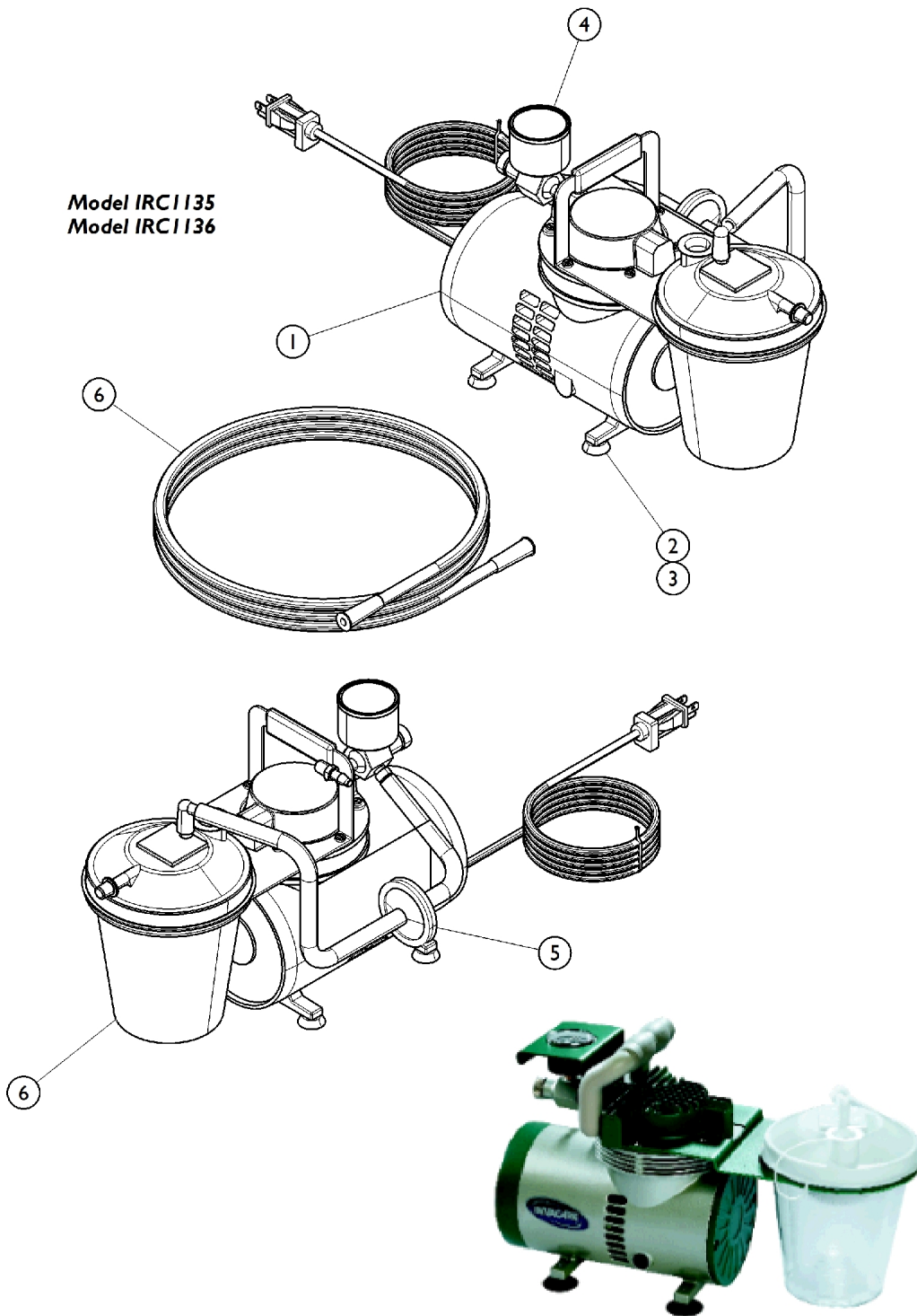


# Aspirator

Model - IRC1135, IRC1136

Model IRC1135  
Model IRC1136



# Aspirator

## Model - IRC1135, IRC1136

Item Number	Note	Part Number	Description	Quantity Per	
				Package	Assembly
1	E,G	602489-NLA	NLA - Switch, On/Off	1	1
2	E,G	624000	Bumper, Rubber	1	4
3	E,G	625331	NLA - Screw, Bumper	1	4
4	C,E	633210	Gauge, Vacuum	1	1
4	C,D	1154138-NLA	NLA - Gauge, Vacuum	1	1
5	E,B	1071348-NLA	NLA - Tube and Filter Assembly	1	1
5	D,F	1148804-NLA	NLA - Tube and Filter Assembly	1	1
5	D	1150589	Tube and Filter w/ Elbow Assembly	1	1
6		IRC1140	Jar, Collection with 6 Ft. Suction Tubing	10	1
	D	1086904	Adaptor, Elbow	1	1
	A	624861-NLA	NLA - Fitting, Brass (5/16")	1	1
	A	636959-NLA	NLA - Instruction Sheet, Aspirator	1	1
	A	632439	Carton, Aspirator	1	1
	A	1164813	Holder, Fuse, External	1	1

NOTE: A - Not Shown  
 B - Includes Tube, Elbow, Filter and Instruction Sheet.  
 C - Includes Gauge only. The knob is not offered as a service part.  
 D - Used on units built after 7/30/07.  
 E - Used on units built before 7/31/07.  
 F - To complete this Assembly you must also order (2) Elbow Adapters Part #1086904.  
 G - Item numbers 1, 2, and 3 After 7/30/07 are non-serviceable parts.