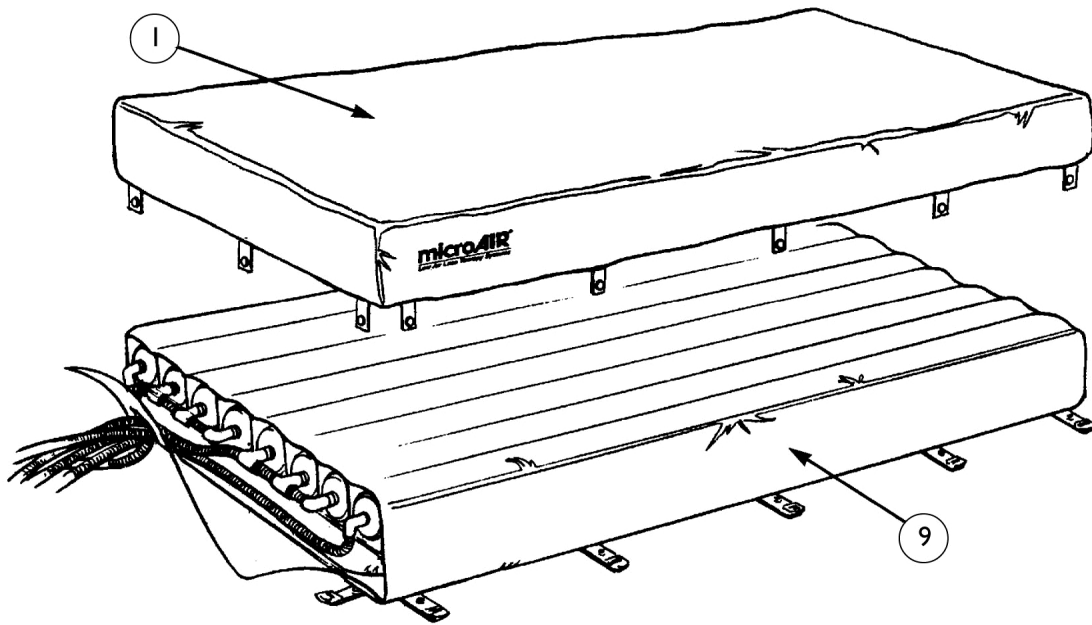
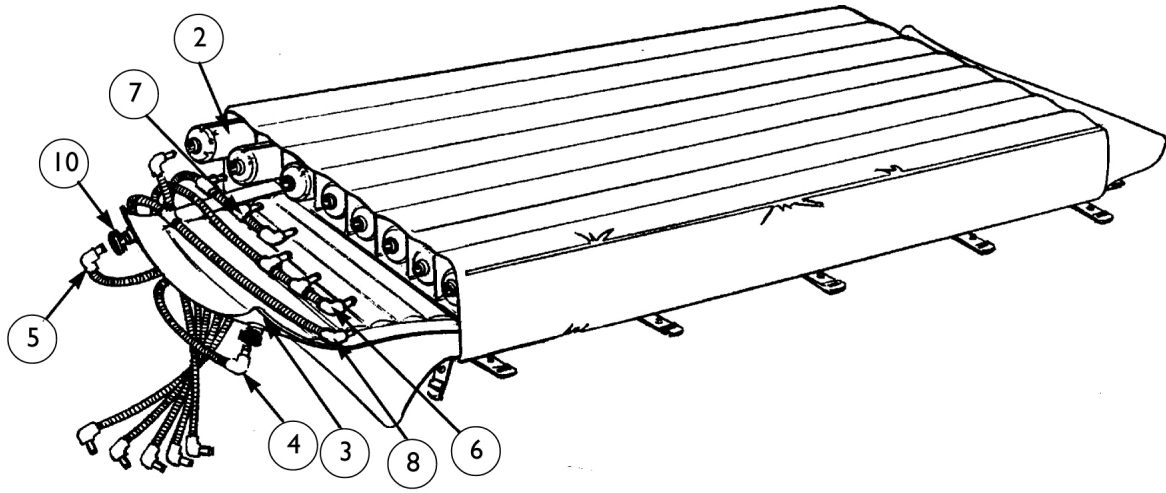


Mattress Assembly - Turn-Q Plus



Mattress Assembly - Turn-Q Plus

Standard Mattress Width

Item Number	Note	Part Number	Description	Quantity Per	
				Package	Assembly
1		9170101-NLA	NLA - Pad, Therapy	1	1
2		9610012	NLA - Tube, Air (80")	1	8
3		9610009	NLA - Mattress, Turn-Q Plus, Lower	1	1
4		9610006	NLA - Turn-Q Plus - Hose, Mattress, Long (Yellow)	1	1
5		9610005-NLA	NLA - Turn-Q Plus - Hose, Mattress, Short (Yellow)	1	1
6		9610003	NLA - Turn-Q Plus - Hose, Mattress (Red)	1	1
7		9610004	NLA - Turn-Q Plus - Hose, Mattress (Blue)	1	1
8		9610007-NLA	NLA - Turn-Q Plus - Hose, Mattress (Green)	1	1
9		9510123-NLA	NLA - Cover, Mattress - Standard	1	1
10		807-NLA	NLA - Clamp, Hose (Size L)	1	2
	A	BB9612015-NLA	NLA - Mattress Assembly, Standard - Turn-Q	1	1

NOTE: A - Not Shown

Narrow Mattress Width

Item Number	Note	Part Number	Description	Quantity Per	
				Package	Assembly
1		9170104-NLA	NLA - Pad, Therapy	1	1
2		9610012	NLA - Tube, Air (80")	1	8
3		9610093-NLA	NLA - Mattress, Lower	1	1
4		9610006	NLA - Turn-Q Plus - Hose, Mattress, Long (Yellow)	1	1
5		9610005-NLA	NLA - Turn-Q Plus - Hose, Mattress, Short (Yellow)	1	1
6		9610003	NLA - Turn-Q Plus - Hose, Mattress (Red)	1	1
7		9610004	NLA - Turn-Q Plus - Hose, Mattress (Blue)	1	1
8		9610007-NLA	NLA - Turn-Q Plus - Hose, Mattress (Green)	1	1
9		9510129-NLA	NLA - Cover, Mattress - Narrow	1	1
10		807-NLA	NLA - Clamp, Hose (Size L)	1	2
	A	BB9612016	NLA - Narrow Turn-Q Mattress Assembly	1	1

NOTE: A - Not Shown