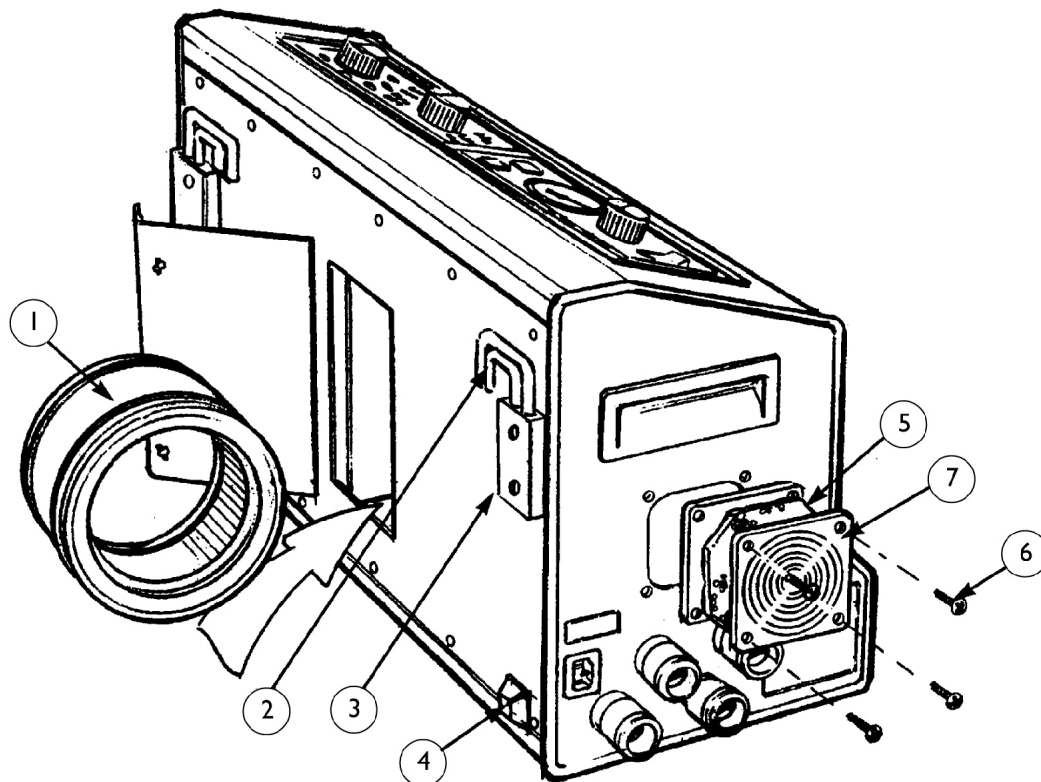


Power Unit Turn-Q



Item Number	Note	Part Number	Description	Quantity Per	
				Package	Assembly
1		9172069-NLA	NLA - Filter, Air	10	1
2	A	9382029-NLA	NLA - Hook, Interchangeable	1	2
3		805-NLA	NLA - Screw (1/4-20 x 3/4")	1	4
4		1101057-NLA	NLA - Bumper, Rubber, Grey	1	4
5		647-NLA	NLA - Filter, Foam	10	1
6		341-NLA	NLA - Screw (#6-32 x 3/8")	1	4
7		646-NLA	NLA - Screen, Filter	1	1
	B	BB9512071	NLA - Unit, Power, Turn-Q	1	1

NOTE: A - See page titled "Miscellaneous Accessories" page for Hook Replacement Kit.
B - Not Shown.