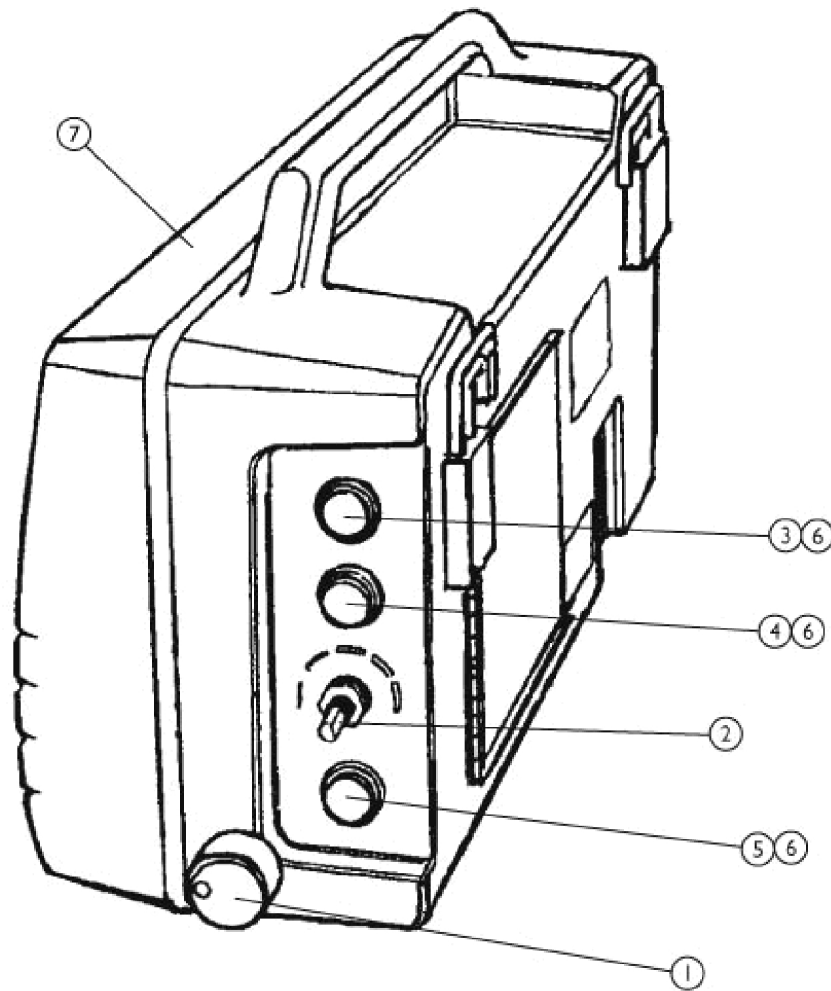


## Control Panel - 3500S



| Item Number | Note | Part Number | Description                                | Quantity Per |          |
|-------------|------|-------------|--|--------------|----------|
|             |      |             |  | Package      | Assembly |
| 1           |      | 9512048-NLA | NLA - Potentiometer                        | 1            | 1        |
| 2           |      | 1104175-NLA | NLA - Knob, Indicator, Black               | 1            | 1        |
| 3           |      | 1101065-NLA | NLA - Lens, Yellow                         | 1            | 1        |
| 4           |      | 1101064-NLA | NLA - Lens, Blue                           | 1            | 1        |
| 5           |      | 1101063-NLA | NLA - Lens, Green                          | 1            | 1        |
| 6           |      | 1525-NLA    | NLA - Bulb, Incandescent (12V/16,000 Hour) | 1            | 3        |
| 7           |      | 9572072-NLA | NLA - Cover Assembly, 3500S - Front        | 1            | 1        |