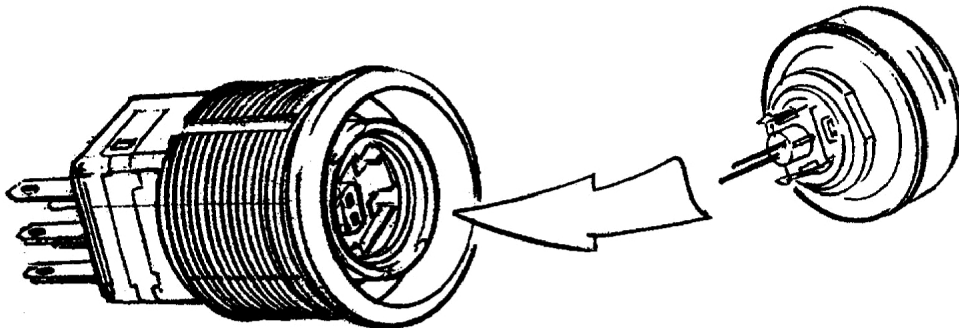
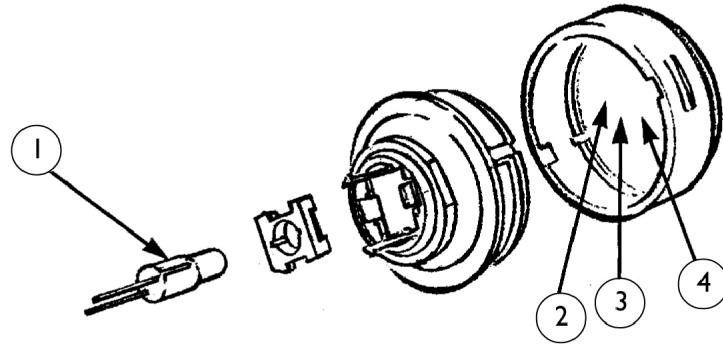


Bulb & Lens Replacement - 3500S & Pup



Bulb & Lens Replacement - 3500S & Pup

Item Number	Note	Part Number	Description	Quantity Per	
				Package	Assembly
1		1525-NLA	NLA - Bulb, Incandescent (12V/16,000 Hour)	1	1
2		1101063-NLA	NLA - Lens, Green	1	1
3		1101064-NLA	NLA - Lens, Blue	1	1
4		1101065-NLA	NLA - Lens, Yellow	1	1
	A,B	9572024-NLA	NLA - Switch, Green	1	1
	A,B	9572025-NLA	NLA - Switch, Yellow	1	1
	A,B	9572026-NLA	NLA - Switch, Blue	1	1

NOTE: A - Not Shown
 B - Please contact an Invacare Parts Specialist for replacement parts at 1-800-333-6900 ext. 3722.