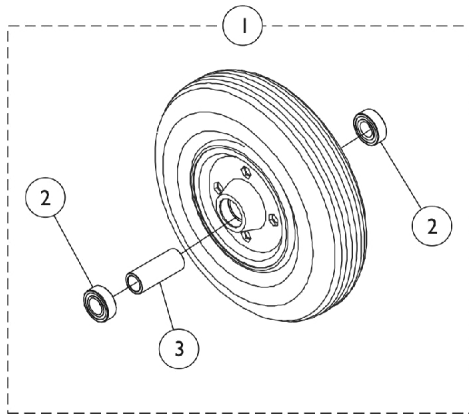
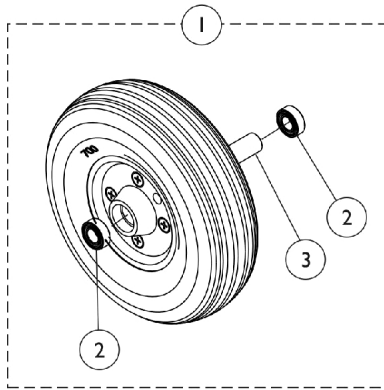


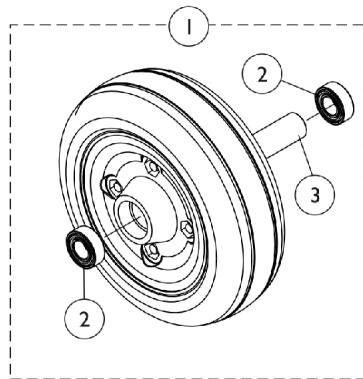
Front Casters and Mounting Hardware



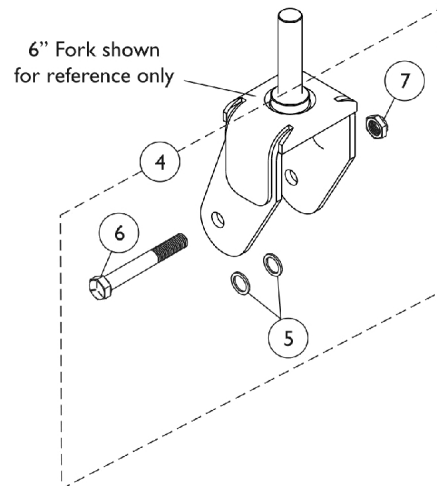
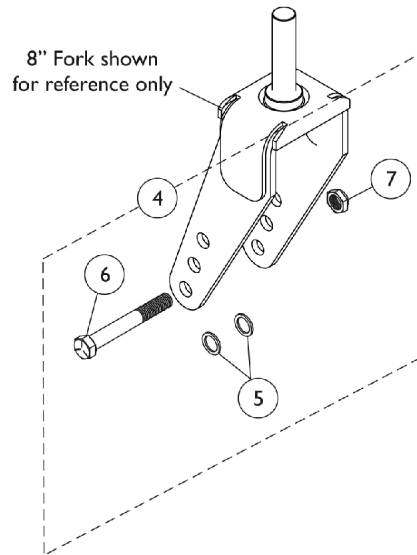
8" Caster (1228)



8" Caster (1228 HD)



6" Caster (1259)



Front Casters and Mounting Hardware

Item Number	Note	Part Number	Description	Quantity Per	
				Package	Assembly
1	A	1070811	Wheel Assembly, Semi-Pneumatic, Urethane, Light Grey (8" x 1-3/4")	1	2
1	A	1071666	Wheel Assembly, Semi-Pneumatic, Urethane, Light Grey (8" x 1-3/4") (Pair)	2	1
1	B	1119532	Wheel Assembly, Semi-Pneumatic, Urethane, Dark Grey (8" x 1-3/4")	1	1
1	C	1133469	Wheel Assembly, Semi-Pneumatic, Urethane, Dark Grey (8" x 2")	1	2
2			Bearing (7/16")	1	2
3			Spacer, Bearing (7/16 x 5/8 x 1-3/4")	1	1
			NLA - Kit, Rim w/ Hardware (Pair)	1	1
			Tire, Semi-Pneumatic, Urethane, Dark Grey (8" x 2")	1	1
1	D	1072014-NLA	NLA - Wheel Assembly, Semi-Pneumatic, Urethane (6" x 2")	1	2
1	D	1122066	Wheel Assembly, Semi-Pneumatic, Urethane, Deep Profile, Grey Tire/Black Hub (6" x 2") (Pair)	2	1
2		1006049	Bearing (7/16")	1	2
3		1020592	Spacer, Bearing (7/16 x 5/8 x 1-3/4")	1	1
4	E	1034168	Kit, Caster Hardware (Pair)	1	1
5			Washer, Steel (15/32 x 5/8 x 3/64")	1	4
6			Screw, Hex Head (7/16-20 x 3-1/4")	1	2
7			Locknut (7/16-20)	1	2
<p>NOTE: A - 1228 Model Before 10/26/04. Includes items 2, 3, Rims and Tire B - 1228 Model After 10/25/04. Includes items 2, 3, Rims and Tire C - 1228HD Model. Includes items 2, 3, Rims and Tire D - 1259 Model. Includes items 2, 3, Rims and Tire. Due to design change 10/1/03 #1122066 are sold in pairs and #1072014 is NLA. The deep profile caster tire has (2) tread grooves and round corners instead of (4) tread grooves w/ square corners. E - Includes items 5-7. Kit quantity accommodates the right and left side of the wheelchair</p>					