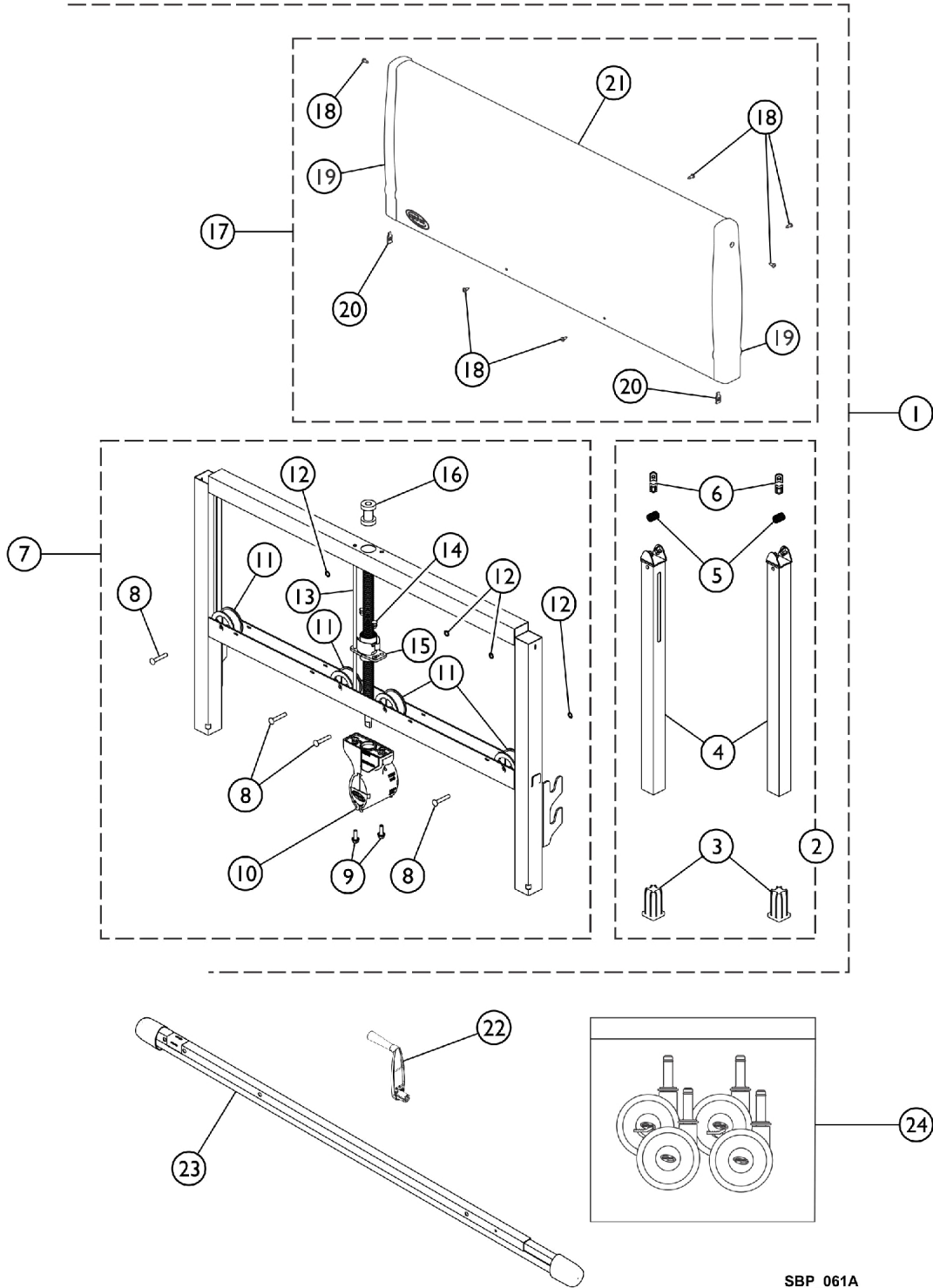


Bed Ends - Manual, Full / Semi Electric 5301IVC



Bed Ends - Manual, Full / Semi Electric 5301IVC

Head and Foot End

Item Number	Note	Part Number	Description	Quantity Per	
				Package	Assembly
	A,B,H, M	1121762-NLA	NLA - Bed End Assembly, Single w/ Packaging Kit	1	1
1	C,D,H	1112668	Kit, Bed End Assembly	1	1
3			Socket, Caster	1	2
4			NLA - Inner Leg with Cable Assembly	1	2
5			Spring, Leg Retaining	1	2
6			Guide, Leg	1	4
8			Rivet (1/4 x 1-7/16")	1	4
9			Screw, Hex Head (1/4-20 x 3/4")	1	2
10			NLA - Gearbox Assembly (Zinc)	1	1
11			Pulley, Cable	1	4
12			Ring, Retaining	1	4
13			Rod, Guide, Foot End, Short	1	1
14			Plug, Push In	1	2
15			Bracket, Screw	1	1
16			Bearing, Sleeve	1	1
18			NLA - Screw, Phillips Pan Head (#8-18 x 1/2")	1	6
19			Cap, Bed End	1	2
20			NLA - Nut, Self-Retaining	1	2
21			Cover, Bed End	1	1
			Frame, Bed End, Brown	1	1
2	E	1130786	Kit, Inner Leg Assembly	1	1
3			Socket, Caster	1	2
4			NLA - Inner Leg with Cable Assembly	1	2
5			Spring, Leg Retaining	1	2
6			Guide, Leg	1	4
7	F,H,N	1130787-NLA	NLA - Kit, Gearbox and Housing Assembly (Zinc)	1	1
8			Rivet (1/4 x 1-7/16")	1	4
9			Pulley, Cable	1	4
10			Bearing, Sleeve	1	1
11			Rod, Guide, Foot End, Short	1	1
13			Plug, Push In	1	2
14			Bracket, Screw	1	1
15			NLA - Gearbox Assembly (Zinc)	1	1
16			Screw, Hex Head (1/4-20 x 3/4")	1	2
			Ring, Retaining	1	4
17	G	1130788	Kit, Bed End Cover	1	1
18			NLA - Screw, Phillips Pan Head (#8-18 x 1/2")	1	6
19			Cap, Bed End	1	2
20			NLA - Nut, Self-Retaining	1	2
21			Cover, Bed End	1	1
19		1112669	Cap, Bed End	1	2

Bed Ends - Manual, Full / Semi Electric 5301IVC

Item Number	Note	Part Number	Description	Quantity Per	
				Package	Assembly
22	H,J	1116636-NLA	NLA - Crank, Manual - Hi/Lo (Zinc)	1	1
22	J	1157942	Crank, Manual - Hi/Lo (Nylon)	1	1
23		7000M585	Drive Shaft Assembly (80")	1	1
24		1115572-NLA	NLA - Package, Caster without Invacare Logo on Hubcap Includes: (2) Non-Locking Casters & (2) Locking Casters.	1	1
24	K	1123550	Package, Caster (2-w/o Brake; 2-w/ Brake)	1	1
	L	1123549	Caster Assembly, Swivel w/o Brake (3")	1	2
	L	1123551	Caster Assembly, Swivel w/ Brake (3")	1	2

NOTE: A - Not Shown.
 B - Includes: Items 1-24 and Packaging. This Kit contains (1) assembled Bed End, (1) Crank Handle, (1) Drive Shaft, (4) Casters and Packaging.
 C - When Bed End Assembly (Pt.#1112668) is used for a Manual or Semi-Electric Foot End, Part Numbers 7000M585 and 1116636 are required. See Pt.#1121762 for complete kit.
 D - Includes: Items 2 - 21 and Bed End Frame (Not Shown)
 E - Includes: Items 3 - 6
 F - Includes: Items 8 - 16
 G - Includes: Items 18 - 21
 H - All service parts gearbox housings are made of zinc.
 J - All bed products designated "Government" models remain zinc, all others are to be nylon.
 K - Includes Non-Locking Casters (2) and Locking Casters (2).
 L - Not shown individually on the illustration.
 M - This item is No Longer Available. Please order the following items when replacing this item: 1112668 (Item 1), 1116636 (Item 22), 1123550 (Item 24), and 7000M585 (Item 23).
 N - Item # 7 1130787 is NLA. See item #1 1112668 as a replacement.

Note: "Quantity Per Assembly" column shows how many needed per Bed End.