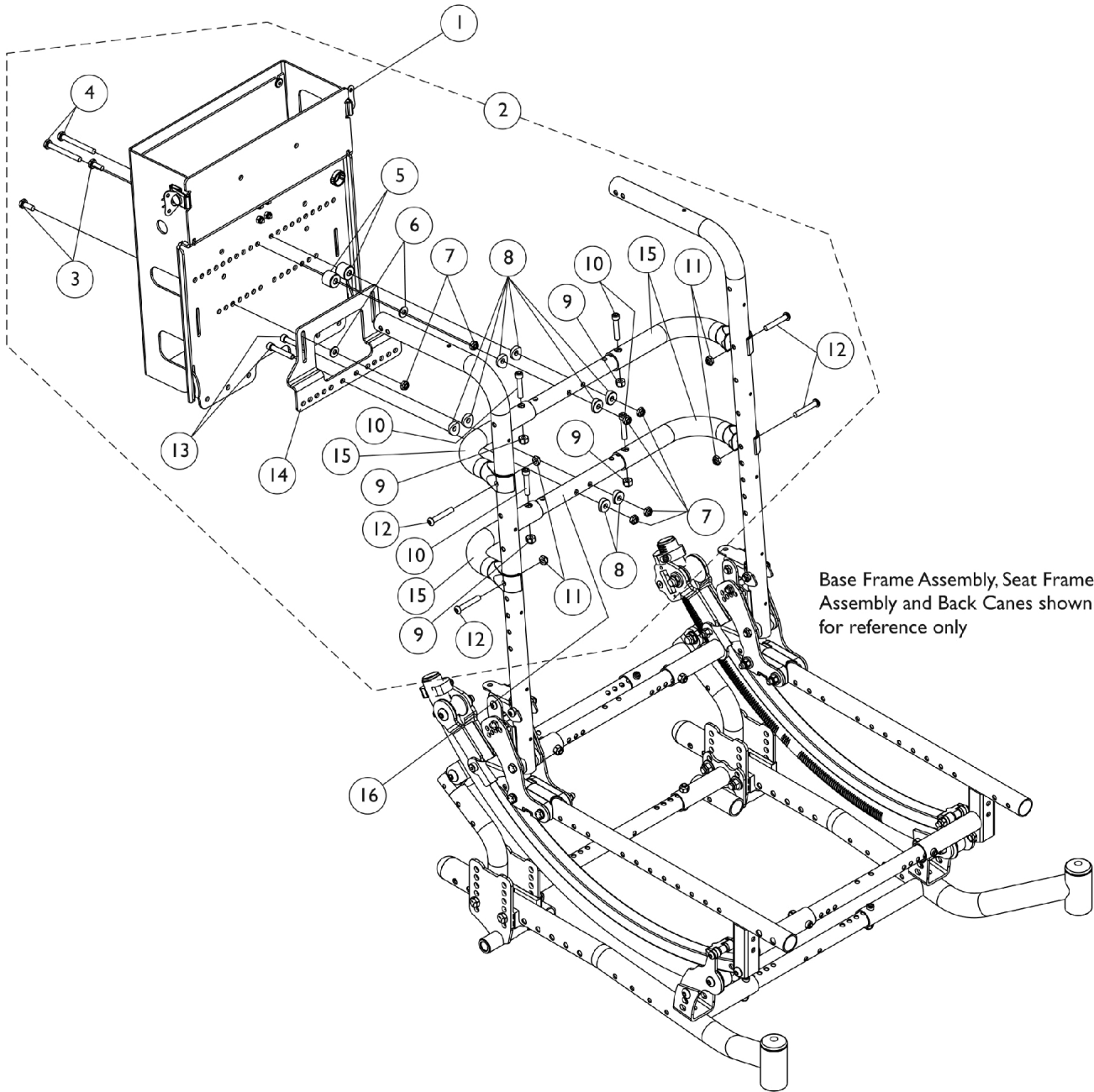


Compact Vent Assembly

Compact Vent Assembly accommodates 15" - 24" wide chairs. Compact Vent Assembly is not offered on chairs with a Manual Recliner or Oxygen Holder or HDPG Heavy Duty Package.



Base Frame Assembly, Seat Frame Assembly and Back Canes shown for reference only

Compact Vent Assembly

Compact Vent Assembly accommodates 15" - 24" wide chairs. Compact Vent Assembly is not offered on chairs with a Manual Recliner or Oxygen Holder or HDPG Heavy Duty Package.

Item Number	Note	Part Number	Description	Quantity Per	
				Package	Assembly
1	A	1162939	Compact Vent Assembly	1	1
2		1164122	Kit, Compact Vent Mounting Hardware	1	1
3			Screw (1/4-28 x 5/8")	1	2
4			Screw, Hex Head (1/4-28 x 2-1/4")	1	2
5			Spacer (1/4 x 3/4 x 5/8")	1	2
6			NLA - Washer, Steel (3/16 x 9/16 x 1/16")	1	2
7			Locknut (1/4-28)	1	6
8			Spacer, Coved (1/4 x 11/16 x 1/2")	1	8
9			Locknut (1/4-28)	1	4
10			Screw, Socket Head (1/4-28 x 1-1/4")	1	4
11			Locknut (1/4-28)	1	4
12			Screw, Socket Button Head (1/4-28 x 1-1/2")	1	4
13			NLA - Screw, Socket Head (1/4-28 x 1-1/2")	1	2
14			Bracket, Compact Vent Mounting, Black	1	1
15			Handle, Rigidizing Bar, Black - Right/Left	1	4
			Instruction Sheet, Compact Vent Assembly	1	1
			Instruction Sheet, FC, Compact Vent Assembly	1	1
16		See Chart	#16 Crossbrace Tube	1	1

NOTE: A - Includes items 3-15 and Instruction Sheets for U.S. and French Canadian. For chairs that do not currently have a Compact Vent Tray, 2 Crossbrace Tubes for the Rigidizing Bar Handles must be purchased as well.

#16 Crossbrace Tube

12" - 16" Wide	14" - 18" Wide	16" - 20" Wide	18" - 22" Wide	20" - 24" Wide
1129473	1129474	1129475	1129476	1159455