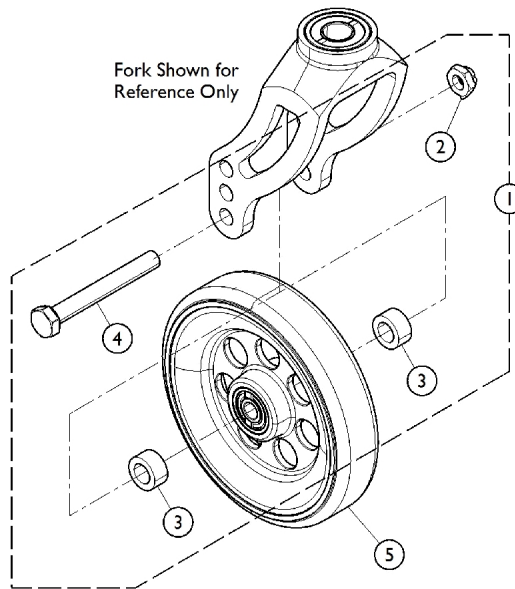


# Casters w/ Mounting Hardware

After 10/4/09, the 5SOFT (5") Semi-Pneumatic is no longer available and is replaced as a 5SOFT (5") Urethane. Order caster in pairs for wheelchairs manufactured before 10/5/09.



Item Number	Note	Part Number	Description	Quantity Per	
				Package	Assembly
1	A,B	1130525	Kit, Caster Hardware	1	1
			Locknut (5/16-24)	1	1
			Spacer (3/8 x 5/8 x 5/16")	1	2
			Screw, Hex Head (5/16-24 x 2-1/2")	1	1
5		See Chart	#5 Casters	1	1

NOTE: A - Includes items 2-4.  
B - For use on Heavy Duty and Non-Heavy Duty chairs.

## #5 Casters

Wheel Style	Wheel Size	Tire Type	Bearing	Bearing Spacer	Caster Wheel w/ Bearings
AT900 See Note(s) B	3"	Urethane	40117X026	1026172	1032190-NLA
4SPLT	4"	Urethane	40117X026	1026172	1060910
4ALUM2	4 x 1-1/2"	Urethane	40117X026	1026172	1128070
41DC	4 x 1"	Urethane	N/A	N/A	1164317-NLA See Note(s) C
5ALUM2	5 x 1-1/2"	Urethane	40117X026	1026172	1128071
5SOFT (Before 10/5/09)	5"	Semi Pneumatic	40117X026	1026172	1114143-NLA See Note(s) A
5SOFT (10/5/09 to 7/1/2011)	5"	Urethane	N/A	N/A	1164311 See Note(s) A, B
51DC (After 6/29/11)	5 x 1"	Urethane	N/A	N/A	1169260 See Note(s) C

## Casters w/ Mounting Hardware

After 10/4/09, the 5SOFT (5") Semi-Pneumatic is no longer available and is replaced as a 5SOFT (5") Urethane. Order caster in pairs for wheelchairs manufactured before 10/5/09.

### #5 Casters

Wheel Style	Wheel Size	Tire Type	Bearing	Bearing Spacer	Caster Wheel w/ Bearings
AT901	5"	Urethane	40117X026	1026172	1029496 See Note(s) B
6ALUM2	6 x 1-1/2"	Urethane	40117X026	1026172	1128072
61DC	6 x 1"	Urethane	N/A	N/A	1164314 See Note(s) C
615DC	6 x 1-1/2"	Urethane	N/A	N/A	1164313 See Note(s) C
AT902	6 x 1"	Urethane	40117X026	1026172	1034352 See Note(s) D, B
<p>NOTE: A - Part Number 1114143 (5SOFT, Semi-Pneumatic) is No Longer Available as of 10/5/09, replace with Part Number 1164311 (5SOFT, Urethane). No change of Wheel Type designation. Order in pairs to match chairs manufactured before 10/05/09.            B - Used on chairs manufactured before 7/1/2011.            C - Used on chairs manufactured after 6/29/2011.            D - Consists of (2) Casters.</p>					