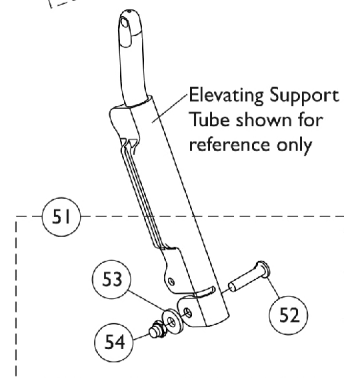
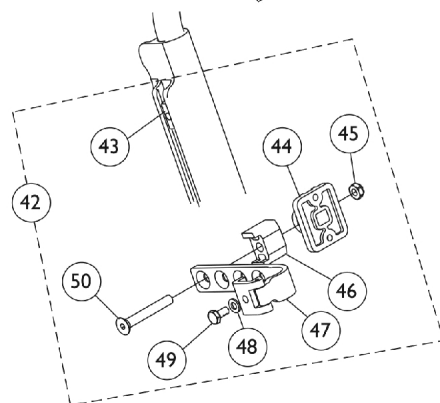
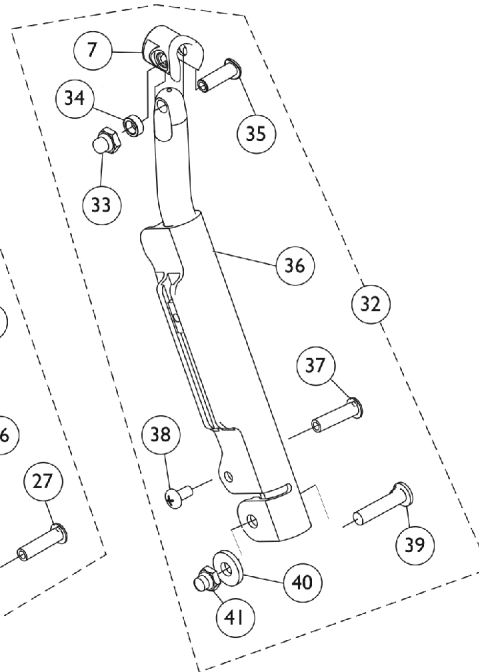
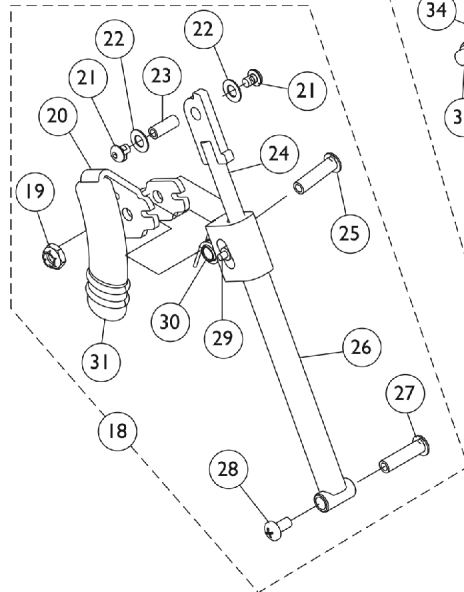
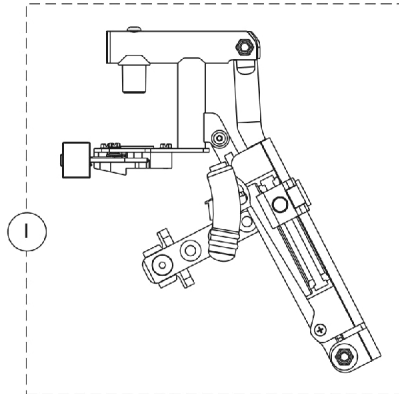
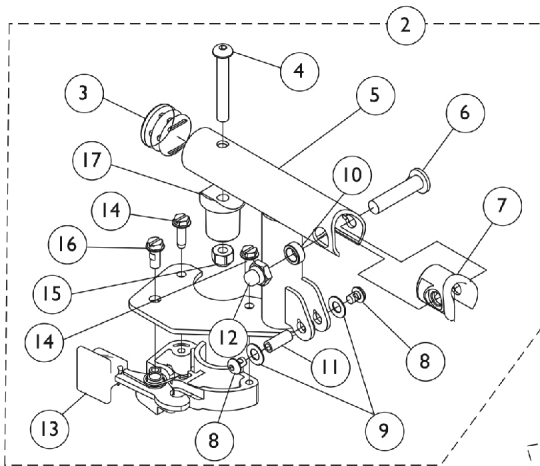


Legrest Support Assembly - AT5044

Wedge Style ("D" shaped tubing) Intro. 9/21/05

Specify frame finish when ordering. Legrest Support does not include Legrest Pad.



Legrest Support Assembly - AT5044

Wedge Style ("D" shaped tubing) Intro. 9/21/05

Specify frame finish when ordering. Legrest Support does not include Legrest Pad.

Item Number	Note	Part Number	Description	Quantity Per	
				Package	Assembly
1	A,G	8881128698	Legrest Support Assembly, Sector, Color - Right	1	1
1	A,G	8881128699	Legrest Support Assembly, Sector, Color - Left	1	1
2	B,G	8881130747	Legrest Support Tube Assembly, Sector, Color - Right	1	1
3			Plug Button, Black (1")	1	1
4			Screw, Socket Button Head (1/4-20 x 1-3/4")	1	1
5			Tube, Legrest Support, Sector, Color - Right	1	1
6			Bolt, Lug (5/16-24 x 1-3/8")	1	1
7			Plug, Insert (7/8")	1	1
8			Screw, Socket Button Head w/ Patch (#10-32 x 1/4")	1	2
9			Washer (1/4 x 1/2 x 1/32")	1	2
10			Spacer (5/16 x 1/2 x 3/16")	1	1
11			Spacer, Threaded (10-32 x 1/4 x 5/8")	1	1
12			Nut, Low Cap (5/16"-24)	1	1
13			Housing, Latch - Right	1	1
14			Screw, Slotted Hex Washer Head (#10-32 x 5/8")	1	2
15			Locknut (1/4-20)	1	1
16			Screw, Slotted Hex Washer Head w/ Patch (#10-32 x 1/2")	1	1
17			Pivot, Footrest	1	1
3		1140823	Package, Plug Button, Black (1")	10	1
2	B,G	8881130748	Legrest Support Tube Assembly, Sector, Color - Left	1	1
3			Plug Button, Black (1")	1	1
4			Screw, Socket Button Head (1/4-20 x 1-3/4")	1	1
5			Tube, Legrest Support, Sector, Color - Left	1	1
6			Bolt, Lug (5/16-24 x 1-3/8")	1	1
7			Plug, Insert (7/8")	1	1
8			Screw, Socket Button Head w/ Patch (#10-32 x 1/4")	1	2
9			Washer (1/4 x 1/2 x 1/32")	1	2
10			Spacer (5/16 x 1/2 x 3/16")	1	1
11			Spacer, Threaded (10-32 x 1/4 x 5/8")	1	1
12			Nut, Low Cap (5/16"-24)	1	1
13			Housing, Latch - Left	1	1
14			Screw, Slotted Hex Washer Head (#10-32 x 5/8")	1	2
15			Locknut (1/4-20)	1	1
16			Screw, Slotted Hex Washer Head w/ Patch (#10-32 x 1/2")	1	1
17			Pivot, Footrest	1	1
3		1140823	Package, Plug Button, Black (1")	10	1
18	C	1130749	Kit, Pivot Rod Assembly - Right	1	1
19			Locknut (1/4-20)	1	1
20			Lever, Release - Right	1	1

Legrest Support Assembly - AT5044

Wedge Style ("D" shaped tubing) Intro. 9/21/05

Specify frame finish when ordering. Legrest Support does not include Legrest Pad.

Item Number	Note	Part Number	Description	Quantity Per	
				Package	Assembly
21			Screw, Socket Button Head w/ Patch (#10-32 x 1/4")	1	2
22			Washer (1/4 x 1/2 x 1/32")	1	2
23			Spacer, Threaded (10-32 x 1/4 x 5/8")	1	1
24			Rod, Pivot	1	1
25			NLA - Screw, Socket Button Head (1/4-20 x 1-1/4")	1	1
26			Guide, Pivot Rod	1	1
27			Rivnut (10-32 x 1")	1	1
28			NLA - Screw, Phillips Pan Head w/Patch (#10-24 x 3/8")	1	1
29			Pin, Roller	1	1
30			Spring, Torsion	1	1
31			Cap, Brake Lever End, Black	1	1
31		1130584	Package, Cap, Brake Lever End, Black	10	1
18	C	1130750	Kit, Pivot Rod Assembly - Left	1	1
19			Locknut (1/4-20)	1	1
20			Lever, Release - Left	1	1
21			Screw, Socket Button Head w/ Patch (#10-32 x 1/4")	1	2
22			Washer (1/4 x 1/2 x 1/32")	1	2
23			Spacer, Threaded (10-32 x 1/4 x 5/8")	1	1
24			Rod, Pivot	1	1
25			NLA - Screw, Socket Button Head (1/4-20 x 1-1/4")	1	1
26			Guide, Pivot Rod	1	1
27			Rivnut (10-32 x 1")	1	1
28			NLA - Screw, Phillips Pan Head w/Patch (#10-24 x 3/8")	1	1
29			Pin, Roller	1	1
30			Spring, Torsion	1	1
31			Cap, Brake Lever End, Black	1	1
31		1130584	Package, Cap, Brake Lever End, Black	10	1
32	D,G	8881164115-NL A	NLA - Kit, Elevating Support Tube, Color - Right	1	1
7			Plug, Insert (7/8")	1	1
33			Locknut, Nylon Cap (5/16-24)	1	1
34			Spacer (5/16 x 1/2 x 3/16")	1	1
35			Screw, Lug (5/16-24 x 1-3/8")	1	1
36			Tube, Elevating Support, Color - Right	1	1
37			Rivnut, Phillips Pan Head (10-24 x 1")	1	1
38			Screw, Phillips Pan Head w/ Patch (10-24 x 3/8")	1	1
39			Screw, Lug (5/16-24 x 1-3/8")	1	1
40			Washer (11/32 x 53/64 x 1/8")	1	1
41			Locknut, Nylon Cap (5/16-24)	1	1
32	D,G	8881164116-NL A	NLA - Kit, Elevating Support Tube, Color - Left	1	1
7			Plug, Insert (7/8")	1	1

Legrest Support Assembly - AT5044

Wedge Style ("D" shaped tubing) Intro. 9/21/05

Specify frame finish when ordering. Legrest Support does not include Legrest Pad.

Item Number	Note	Part Number	Description	Quantity Per	
				Package	Assembly
33			Locknut, Nylon Cap (5/16-24)	1	1
34			Spacer (5/16 x 1/2 x 3/16")	1	1
35			Screw, Lug (5/16-24 x 1-3/8")	1	1
36			Tube, Elevating Support, Color - Left	1	1
37			Rivnut, Phillips Pan Head (10-24 x 1")	1	1
38			Screw, Phillips Pan Head w/ Patch (10-24 x 3/8")	1	1
39			Screw, Lug (5/16-24 x 1-3/8")	1	1
40			Washer (11/32 x 53/64 x 1/8")	1	1
41			Locknut, Nylon Cap (5/16-24)	1	1
42	F	1130754	Kit, Legrest Pad Hardware	1	1
43			T-Nut (1/4-20)	1	1
44			Plate, Legrest Pad	1	1
45			Locknut (5/16-18)	1	1
46			Spacer, Legrest Pad, Black	1	1
47			Bracket Assembly, Adjustable Legrest Pad, Color	1	1
48			NLA - Washer, Steel (1/4 x 1/2 x 3/64")	1	1
49			Screw, Hex Head w/ Patch (1/4-20 x 1/2")	1	1
50			Screw, Socket Flat Head (5/16-18 x 2-1/4")	1	1
51	E	1130753	Kit, Pivot Slide Tube Attaching Hardware	1	1
52			Screw, Lug (5/16-24 x 1-3/8")	1	1
53			Washer (11/32 x 53/64 x 1/8")	1	1
54			Locknut, Nylon Cap (5/16-24)	1	1
	H	1151367	Kit, Housing Latch Handle w/Hardware - Right	1	1
13			Housing, Latch - Right	1	1
14			Screw, Slotted Hex Washer Head (#10-32 x 5/8")	1	2
16			Screw, Slotted Hex Washer Head w/ Patch (#10-32 x 1/2")	1	1
	H	1151368	Kit, Housing Latch Handle w/Hardware - Left	1	1
13			Housing, Latch - Left	1	1
14			Screw, Slotted Hex Washer Head (#10-32 x 5/8")	1	2
16			Screw, Slotted Hex Washer Head w/ Patch (#10-32 x 1/2")	1	1

NOTE: A - Includes items 2,18,32, & 42
 B - Includes items 3-17
 C - Includes items 19-31
 D - Includes items 7 and 33-41
 E - Includes items 52-54
 F - Includes items 43-50
 G - Specify frame finish when ordering
 H - Includes items 13, 14 and 16.