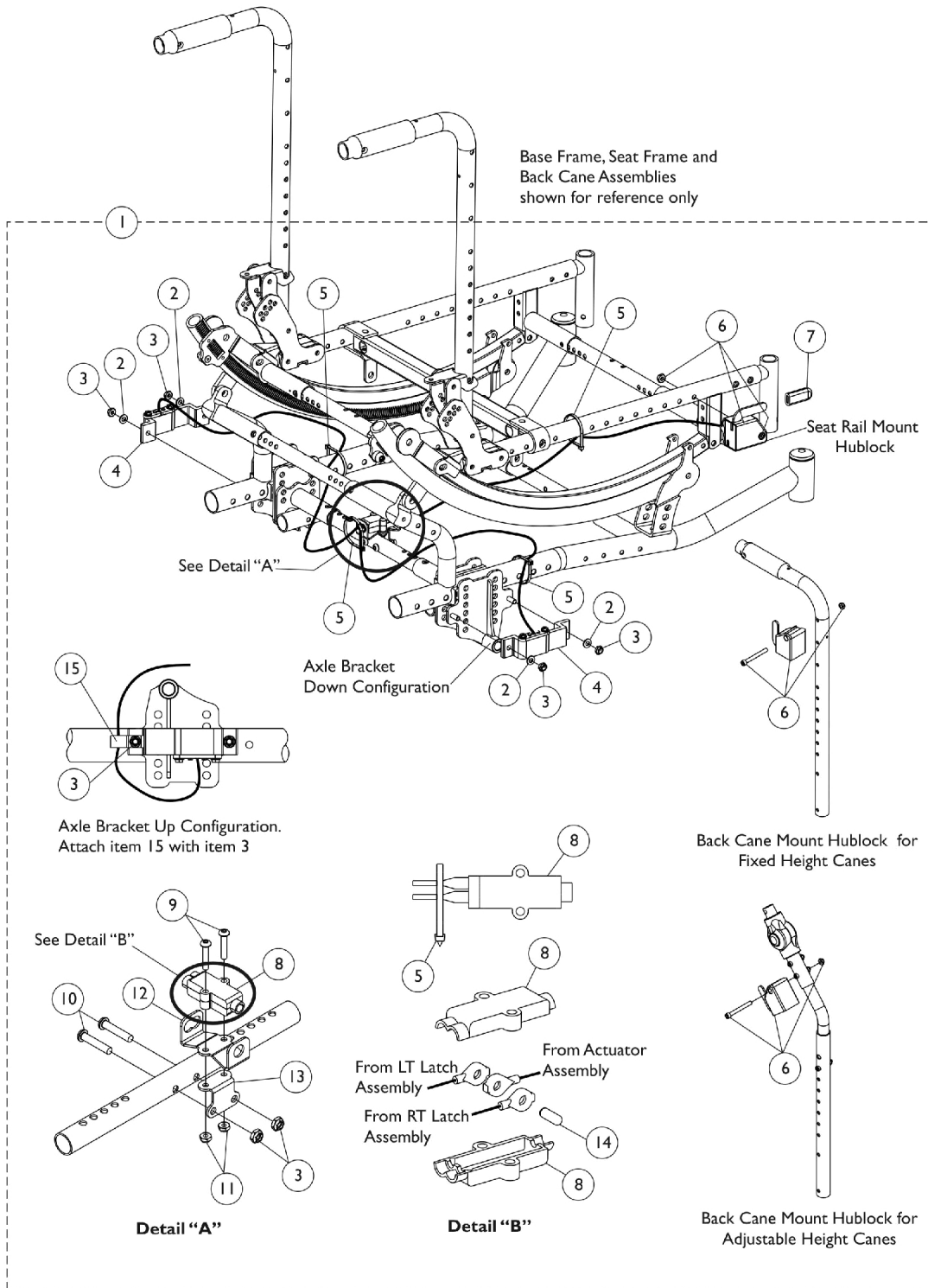


# Hublock Replacement Kits

## Attendant and User Hand Operated



## Hublock Replacement Kits Attendant and User Hand Operated

Item Number	Note	Part Number	Description	Quantity Per	
				Package	Assembly
1	A	1164344	Kit, Hublock Cables and Hardware, Hand Operated	1	1
2			NLA - Washer, Steel (1/4 x 1/2 x 3/64")	1	4
3			Locknut, Thin (1/4-20)	1	6
4			Latch with Cable Assembly, Hublock - Left	1	1
4			Latch with Cable Assembly, Hublock - Right	1	1
5			Tie Wrap (5-5/8" L)	1	4
6			Actuator w/ Cable Assembly, Hand Operated	1	1
7			Tip, Plastic, Black	1	1
8			Box, Junction Cable	1	2
9			Screw, Socket Button Head (#10-32 x 1")	1	2
10			Screw, Socket Button Head (1/4-20 x 1-1/4")	1	2
11			Locknut (#10-32)	1	2
12			Bracket, Junction Cable, Black	1	1
13			Box, Junction Cable	1	1
14			Pin, Dowel (3/16 x 1/2")	1	1
15			NLA - Bracket, Cable/Wire Mounting, Black	1	1
4	B	1132357	Latch with Cable Assembly, Hublock - Right	1	1
4	B	1132358	Latch with Cable Assembly, Hublock - Left	1	1
8		1132375	Box, Junction Cable	1	2
	C	1127688	Package, Plastic Tip, Black	10	1

NOTE: A - Includes items 2-15  
 B - it is recommended to order both Hublock Latch with Cable Assembly part numbers 1132357 and 1132358 together to allow even wear on the components.  
 C - Not Shown