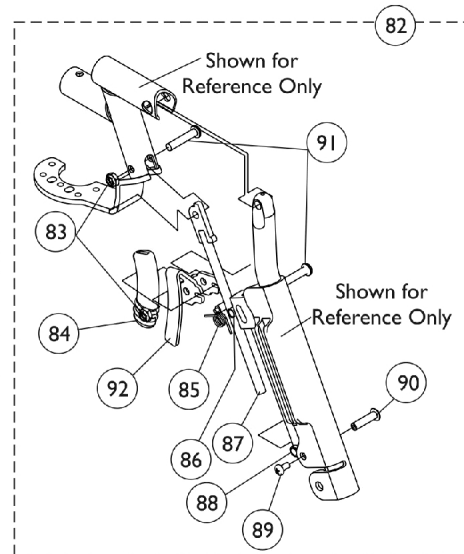
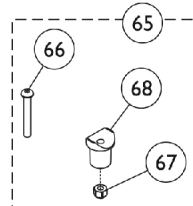
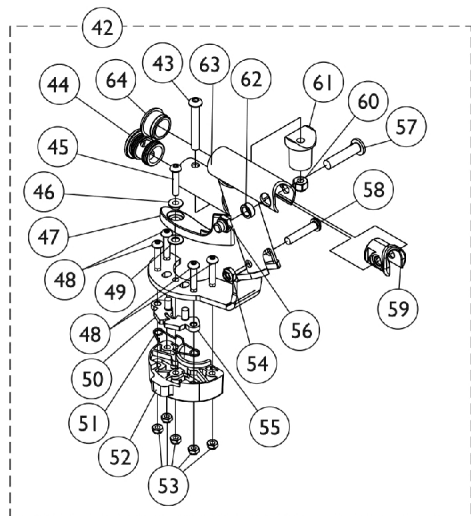
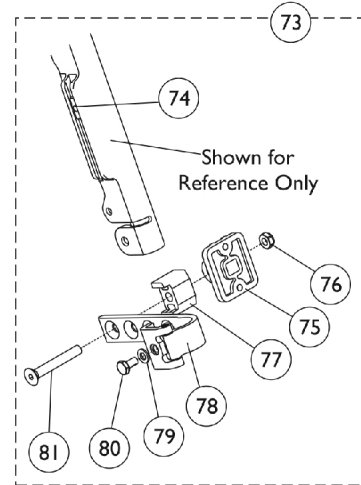
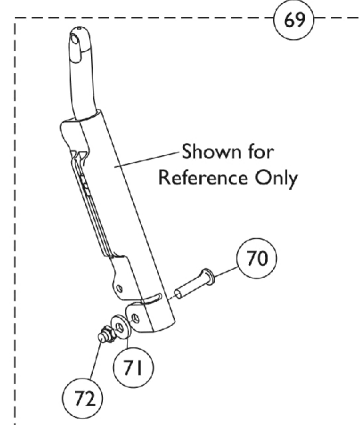
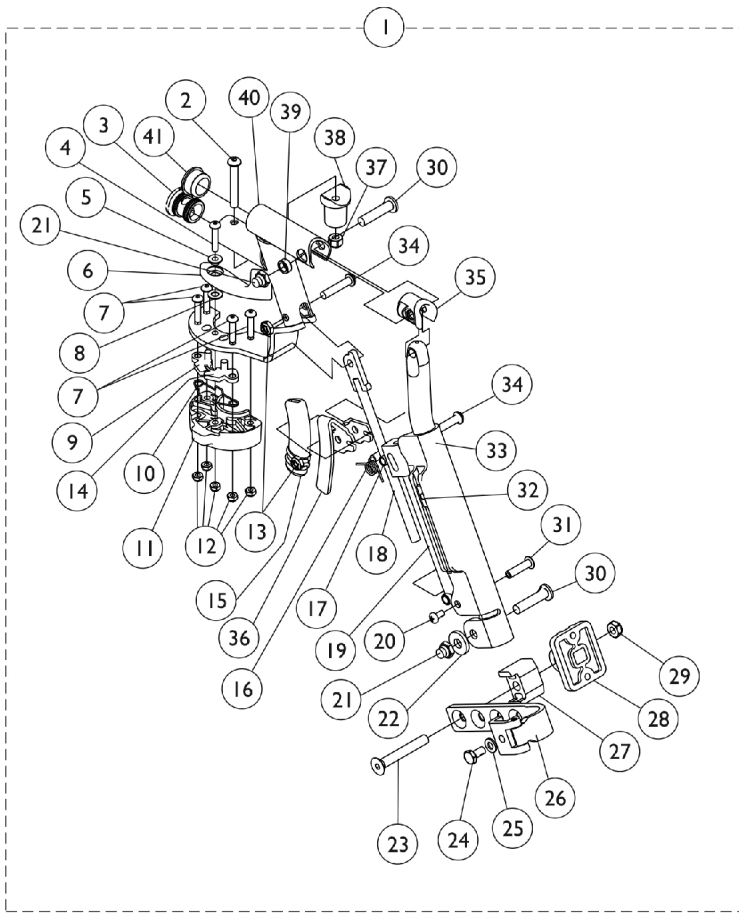


# Elevating Legrest Support Assembly - ELRSS

NOTE: Legrest Support does not include Legrest Pad.



# Elevating Legrest Support Assembly - ELRSS

NOTE: Legrest Support does not include Legrest Pad.

Item Number	Note	Part Number	Description	Quantity Per	
				Package	Assembly
1	A	8881136679	Legrest Support Assembly, Sector, Color - Right	1	1
2			Screw, Socket Button Head (1/4-20 x 1-3/4")	1	1
3			NLA - Plug Button (1")	1	1
4			Screw, Socket Button Head Cap (M6 X .8 X 25mm)	1	1
5			Bushing, Handle	1	1
6			Handle, Release, Black - Right	1	1
7			Screw, Socket Button Head (M6 x .8 x 25mm)	1	4
8			Washer, Nylon (1/4 x 1/2 x 1/32")	1	1
9			Bracket, Swing, Female	1	1
10			Spring, Compression Swing	1	1
11			Block, Sector	1	1
12			Locknut (M5 x .8)	1	5
13			Locknut (1/4-28)	1	2
14			Bracket, Swing, Male	1	1
15			Cap, Brake Lever End, Black	1	1
16			Spring, Torsion	1	1
17			Pin, Roller	1	1
18			Rod, Pivot	1	1
19			Guide, Pivot Rod	1	1
20			NLA - Screw, Phillips Pan Head w/Patch (#10-24 x 3/8")	1	1
21			Nut, Low Cap (5/16"-24)	1	1
22			Washer, Flat (21/64 x 53/64 x 7/64")	1	1
23			Screw, Socket Flat Head (5/16-18 x 2-1/4")	1	1
24			Screw, Hex Head w/ Patch (1/4-20 x 1/2")	1	1
25			Washer (1/4 x 1/2 x 1/16")	1	1
26			Bracket Assembly, Adjustable Legrest Pad, Color	1	1
27			Spacer, Legrest Pad, Black	1	1
28			Plate, Legrest Pad	1	1
29			Locknut (5/16-18)	1	1
30			Bolt, Lug (5/16-24 x 1-3/8")	1	1
31			Rivnut (10-32 x 1")	1	1
32			T-Nut (1/4-20)	1	1
33			Tube, Elevating Support, Color - Right	1	1
34			NLA - Screw, Socket Button Head (1/4-28 x 1-1/4")	1	2
35			Plug, Insert (7/8")	1	1
36			Lever, Release - Right	1	1
37			Locknut (1/4-20)	1	1
38			Pivot, Footrest	1	1
39			Spacer (5/16 x 1/2 x 3/16")	1	1
40			Tube, Legrest Support, Sector, Color - Right	1	1
41			Plug Button, Black (1")	1	1
1	A	8881136680	Legrest Support Assembly, Sector, Color - Left	1	1
2			Screw, Socket Button Head (1/4-20 x 1-3/4")	1	1
3			NLA - Plug Button (1")	1	1
4			Screw, Socket Button Head Cap (M6 X .8 X 25mm)	1	1

# Elevating Legrest Support Assembly - ELRSS

NOTE: Legrest Support does not include Legrest Pad.

Item Number	Note	Part Number	Description	Quantity Per	
				Package	Assembly
5			Bushing, Handle	1	1
6			Handle, Release, Black - Left	1	1
7			Screw, Socket Button Head (M6 x .8 x 25mm)	1	4
8			Washer, Nylon (1/4 x 1/2 x 1/32")	1	1
9			Bracket, Swing, Female	1	1
10			Spring, Compression Swing	1	1
11			Block, Sector	1	1
12			Locknut (M5 x .8)	1	5
13			Locknut (1/4-28)	1	2
14			Bracket, Swing, Male	1	1
15			Cap, Brake Lever End, Black	1	1
16			Spring, Torsion	1	1
17			Pin, Roller	1	1
18			Rod, Pivot	1	1
19			Guide, Pivot Rod	1	1
20			NLA - Screw, Phillips Pan Head w/Patch (#10-24 x 3/8")	1	1
21			Nut, Low Cap (5/16"-24)	1	1
22			Washer, Flat (21/64 x 53/64 x 7/64")	1	1
23			Screw, Socket Flat Head (5/16-18 x 2-1/4")	1	1
24			Screw, Hex Head w/ Patch (1/4-20 x 1/2")	1	1
25			Washer (1/4 x 1/2 x 1/16")	1	1
26			Bracket Assembly, Adjustable Legrest Pad, Color	1	1
27			Spacer, Legrest Pad, Black	1	1
28			Plate, Legrest Pad	1	1
29			Locknut (5/16-18)	1	1
30			Bolt, Lug (5/16-24 x 1-3/8")	1	1
31			Rivnut (10-32 x 1")	1	1
32			T-Nut (1/4-20)	1	1
33			Tube, Elevating Support, Color - Left	1	1
34			NLA - Screw, Socket Button Head (1/4-28 x 1-1/4")	1	2
35			Plug, Insert (7/8")	1	1
36			Lever, Release - Left	1	1
37			Locknut (1/4-20)	1	1
38			Pivot, Footrest	1	1
39			Spacer (5/16 x 1/2 x 3/16")	1	1
40			Tube, Legrest Support, Sector, Color - Left	1	1
41			Plug Button, Black (1")	1	1
42	B	8881134200-NL A	Legrest Support Tube Assembly, Sector, Color - Right	1	1
43			Screw, Socket Button Head (1/4-20 x 1-3/4")	1	1
44			NLA - Plug Button (1")	1	1
45			Screw, Socket Button Head Cap (M6 X .8 X 25mm)	1	1
46			Bushing, Handle	1	1
47			Handle, Release, Black - Right	1	1
48			Screw, Socket Button Head (M6 x .8 x 25mm)	1	4
49			Washer, Nylon (1/4 x 1/2 x 1/32")	1	1

# Elevating Legrest Support Assembly - ELRSS

NOTE: Legrest Support does not include Legrest Pad.

Item Number	Note	Part Number	Description	Quantity Per	
				Package	Assembly
50			Bracket, Swing, Female	1	1
51			Spring, Compression Swing	1	1
52			Block, Sector	1	1
53			Locknut (M5 x .8)	1	5
54			Locknut (1/4-28)	1	1
55			Bracket, Swing, Male	1	1
56			Nut, Low Cap (5/16"-24)	1	1
57			Bolt, Lug (5/16-24 x 1-3/8")	1	1
58			NLA - Screw, Socket Button Head (1/4-28 x 1-1/4")	1	1
59			Plug, Insert (7/8")	1	1
60			Locknut (1/4-20)	1	1
61			Pivot, Footrest	1	1
62			Spacer (5/16 x 1/2 x 3/16")	1	1
63			Tube, Legrest Support, Sector, Color - Right	1	1
64			Plug Button, Black (1")	1	1
42	B	8881134201-NL A	Legrest Support Tube Assembly, Sector, Color - Left	1	1
43			Screw, Socket Button Head (1/4-20 x 1-3/4")	1	1
44			NLA - Plug Button (1")	1	1
45			Screw, Socket Button Head Cap (M6 X .8 X 25mm)	1	1
46			Bushing, Handle	1	1
47			Handle, Release, Black - Left	1	1
48			Screw, Socket Button Head (M6 x .8 x 25mm)	1	4
49			Washer, Nylon (1/4 x 1/2 x 1/32")	1	1
50			Bracket, Swing, Female	1	1
51			Spring, Compression Swing	1	1
52			Block, Sector	1	1
53			Locknut (M5 x .8)	1	5
54			Locknut (1/4-28)	1	1
55			Bracket, Swing, Male	1	1
56			Nut, Low Cap (5/16"-24)	1	1
57			Bolt, Lug (5/16-24 x 1-3/8")	1	1
58			NLA - Screw, Socket Button Head (1/4-28 x 1-1/4")	1	1
59			Plug, Insert (7/8")	1	1
60			Locknut (1/4-20)	1	1
61			Pivot, Footrest	1	1
62			Spacer (5/16 x 1/2 x 3/16")	1	1
63			Tube, Legrest Support, Sector, Color - Left	1	1
64			Plug Button, Black (1")	1	1
65	C	1151418	Legrest Kit, Pivot	1	1
66			Screw, Socket Button Head (1/4-20 x 1-3/4")	1	1
67			Locknut (1/4-20)	1	1
68			Pivot, Footrest	1	1
69	D	1130753	Kit, Pivot Slide Tube Attaching Hardware	1	1
70			Screw, Lug (5/16-24 x 1-3/8")	1	1
71			Washer (11/32 x 53/64 x 1/8")	1	1

# Elevating Legrest Support Assembly - ELRSS

**NOTE: Legrest Support does not include Legrest Pad.**

Item Number	Note	Part Number	Description	Quantity Per	
				Package	Assembly
72			Locknut, Nylon Cap (5/16-24)	1	1
73	E	1130754	Kit, Legrest Pad Hardware	1	1
74			T-Nut (1/4-20)	1	1
75			Plate, Legrest Pad	1	1
76			Locknut (5/16-18)	1	1
77			Spacer, Legrest Pad, Black	1	1
78			Bracket Assembly, Adjustable Legrest Pad, Color	1	1
79			NLA - Washer, Steel (1/4 x 1/2 x 3/64")	1	1
80			Screw, Hex Head w/ Patch (1/4-20 x 1/2")	1	1
81			Screw, Socket Flat Head (5/16-18 x 2-1/4")	1	1
82	F	1134198-NLA	NLA - Kit, Pivot Rod - Right	1	1
83			Locknut (1/4-28)	1	2
84			Cap, Brake Lever End, Black	1	1
85			Spring, Torsion	1	1
86			Pin, Roller	1	1
87			Rod, Pivot	1	1
88			Guide, Pivot Rod	1	1
89			NLA - Screw, Phillips Pan Head w/Patch (#10-24 x 3/8")	1	1
90			Rivnut (10-32 x 1")	1	1
91			NLA - Screw, Socket Button Head (1/4-28 x 1-1/4")	1	2
92			Lever, Release - Right	1	1
82	F	1134199-NLA	KIT - Kit, Pivot Rod - Left	1	1
83			Locknut (1/4-28)	1	2
84			Cap, Brake Lever End, Black	1	1
85			Spring, Torsion	1	1
86			Pin, Roller	1	1
87			Rod, Pivot	1	1
88			Guide, Pivot Rod	1	1
89			NLA - Screw, Phillips Pan Head w/Patch (#10-24 x 3/8")	1	1
90			Rivnut (10-32 x 1")	1	1
91			NLA - Screw, Socket Button Head (1/4-28 x 1-1/4")	1	2
92			Lever, Release - Left	1	1

NOTE: A - Includes items 2-41. Specify frame color when ordering, see category titled, "Frame Finishes and Touch-Up Paint."  
 B - Includes items 43-64. Specify frame color when ordering, see category titled, "Frame Finishes and Touch-Up Paint."  
 C - Includes items 66-68  
 D - Includes items 70-72  
 E - Includes items 74-81  
 F - Includes items 83-92