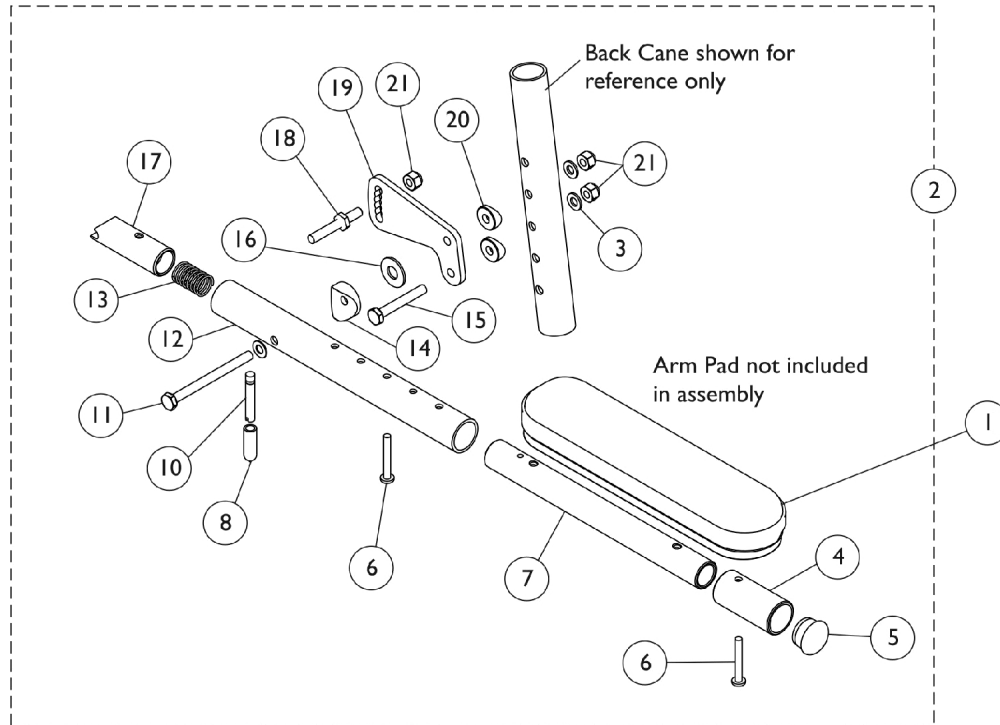


# Cantilever Arms - AT55D & AT55F

## Bolt On



Bolt On Cantilever Arm *without* Arm Pads

## Cantilever Arms - AT55D & AT55F

### Bolt On

Item Number	Note	Part Number	Description	Quantity Per	
				Package	Assembly
1	A	8881053578	Kit, Arm Pad w/ Screws, Desk Length (9" L x 2" W) (Pair)	1	1
1	A	8881053577	Kit, Arm Pad w/ Screws, Full Length (14" L x 2" W) (Pair)	1	1
2	C,B	1068654	Kit, Cantilever Arm, Bolt On - Right	1	1
2	C,B	1068655	Kit, Cantilever Arm, Bolt On - Left	1	1
3		1026907	Washer (1/4 x 1/2 x 1/16")	1	2
4		1042598	Tube, Arm, Extension, Black	1	1
5		1056328	Plug Button, Black (1")	1	1
6		1055205	Package, Screw Phillips Pan Head (#10-32 x 1-3/8")	2	1
7		1068600	Tube, Slide, Cantilever Arm, Black	1	1
8		1059271	Tip, Plastic, Black	1	1
9		1026103	Washer, Nylon (1/4 x 1/2 x 1/32")	1	1
10		1058545	Lever, Actuator	1	1
11		1059374	Screw, Hex Head (1/4-28 x 3")	1	1
12		1068588	Tube, Arm, Black	1	1
13		1011511	Spring, Compression (5/8 x 1 x 3/64")	1	1
14		40157X020	Spacer, Coved (1/4 x 1 x 9/16")	1	1
15		1055348	Screw, Hex Head (1/4-28 x 1-3/4")	1	1
16		1012371	Washer, Nylon (3/8 x 7/8 x 1/16")	1	1
17		1058232	Plug, Latch	1	1
18		1058231-NLA	NLA - Pin, Locking	1	1
19		1058542	Bracket, Armrest Mounting, Black	1	1
20		1026099	Spacer, Coved (1/4 x 11/16 x 1/2")	1	2
21		1065362	Locknut (1/4-28)	1	3

NOTE: A - Specify upholstery color U67 Black when ordering.  
B - Arms do not include Arm Pads, they must be ordered separately.  
C - Includes items 3-21