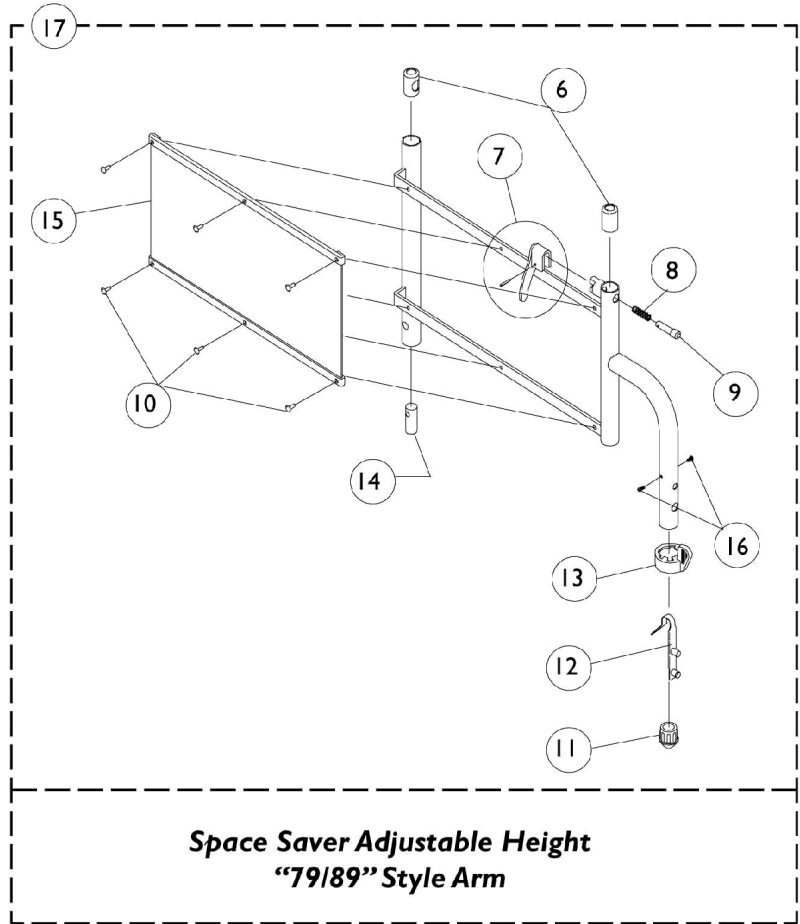
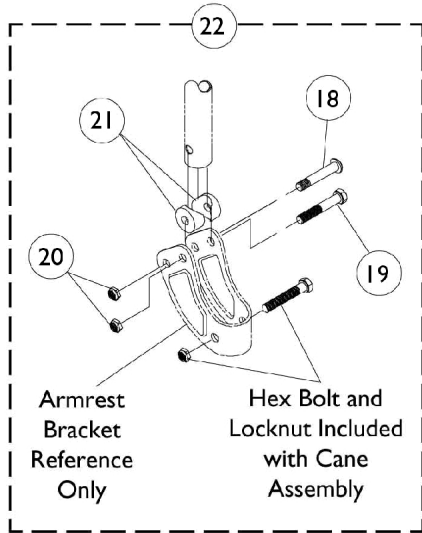
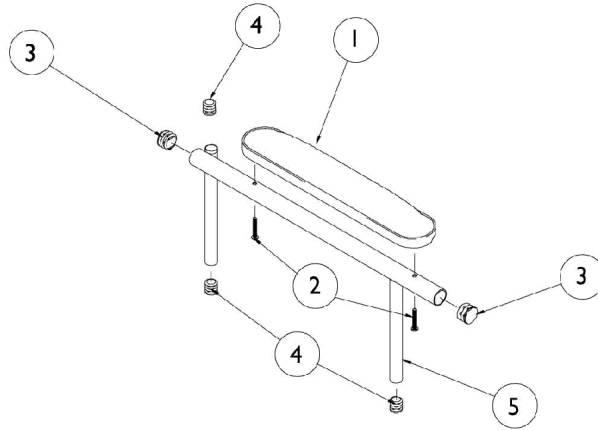


# Space Saver Adjustable Height Arms



## Space Saver Adjustable Height Arms

| Item Number | Note | Part Number | Description  | Quantity Per |          |
|-------------|------|-------------|--|--------------|----------|
|             |      |             |  | Package      | Assembly |
| 1           | A    | 8881053570  | Kit, Arm Pad w/ Screws, Desk Length (Pair)               | 2            | 1        |
| 1           | A    | 8881053571  | Kit, Arm Pad w/ Screws, Full Length (Pair)               | 2            | 1        |
| 2           |      | 1055949     | Package, Screw, Phillips Pan Head (#10-32 x 1-3/8")      | 2            | 1        |
| 3           |      | 1027095     | Plug Button, Black (7/8")                                | 1            | 2        |
| 4           |      | 1035614     | Plug Button, Black (5/8")                                | 1            | 3        |
| 5           |      | 1038462     | Armrest Assembly, Space Saver Desk Length, Black - Right | 1            | 1        |
|             |      |             | Tube, Armrest, Desk, Black - Right                       | 1            | 1        |
| 3           |      |             | Plug Button, Black (7/8")                                | 1            | 2        |
| 4           |      |             | Plug Button, Black (5/8")                                | 1            | 3        |
| 5           |      | 1038463     | Armrest Assembly, Space Saver Desk Length, Black - Left  | 1            | 1        |
|             |      |             | Tube, Armrest, Desk, Black - Left                        | 1            | 1        |
| 3           |      |             | Plug Button, Black (7/8")                                | 1            | 2        |
| 4           |      |             | Plug Button, Black (5/8")                                | 1            | 3        |
| 5           |      | 1038466     | Armrest Assembly, Space Saver Full Length, Black - Right | 1            | 1        |
|             |      |             | Tube, Arm, Black - Right                                 | 1            | 1        |
| 3           |      |             | Plug Button, Black (7/8")                                | 1            | 2        |
| 4           |      |             | Plug Button, Black (5/8")                                | 1            | 3        |
| 5           |      | 1038467     | Armrest Assembly, Space Saver Full Length, Black - Left  | 1            | 1        |
|             |      |             | Tube, Arm, Black - Left                                  | 1            | 1        |
| 3           |      |             | Plug Button, Black (7/8")                                | 1            | 2        |
| 4           |      |             | Plug Button, Black (5/8")                                | 1            | 3        |
| 6           |      | 1036150     | Anti-Rattle  | 1            | 2        |
| 7           |      | 1090768     | Kit, Lock Handle w/Rivets (Pair)                         | 2            | 1        |
| 8           |      | 47471X074   | Spring, Arm Lock   | 1            | 1        |
| 9           |      | 47471X068   | Pin, Locking   | 1            | 1        |
| 10          |      | 1028645     | Rivet  | 1            | 6        |
| 11          |      | 1036484     | Plug, Armrest, Black (3/4") (18GA)                       | 1            | 1        |
| 12          |      | 1018225     | Spring, Torsion with Button Lock                         | 1            | 1        |
| 13          |      | 1015450     | Handle, Quad Release                                     | 1            | 1        |
| 14          |      | 1058915-NLA | NLA - Insert, Rear Arm Tube                              | 1            | 1        |
| 15          | B    | 1064129     | Guard, Clothing  | 1            | 1        |
| 16          |      | 1020022     | Screw, Phillips Pan Head Tap (#6-20 x 3/8")              | 1            | 2        |
| 17          | C    | 1057126     | Arm Base Assembly, Adjustable Height, Black - Right      | 1            | 1        |
| 17          | C    | 1057127     | Arm Base Assembly, Adjustable Height, Black - Left       | 1            | 1        |
| 18          |      | 1029583-NLA | NLA - Screw, Socket Button Head (1/4-20 x 1-7/16")       | 1            | 1        |
| 19          |      | 16720X004   | Screw, Hex Head (1/4-20 x 1-1/2")                        | 1            | 1        |
| 20          |      | 60275X000   | Locknut (1/4-20)   | 1            | 2        |
| 21          |      | 1025457     | Spacer, Coved (1/4 x 3/4 x 11/32")                       | 1            | 2        |
| 22          | D    | 1091072     | Hardware, Armrest  | 1            | 1        |
| 18          |      |             | NLA - Screw, Socket Button Head (1/4-20 x 1-7/16")       | 1            | 2        |
| 19          |      |             | Screw, Hex Head (1/4-20 x 1-1/2")                        | 1            | 4        |

## Space Saver Adjustable Height Arms

| Item Number  | Note | Part Number | Description                        | Quantity Per |          |
|--|------|-------------|------------------------------------|--------------|----------|
|  |      |             |                                    | Package      | Assembly |
| 20   |      |             | Locknut (1/4-20)                   | 1            | 6        |
| 21   |      |             | Spacer, Coved (1/4 x 3/4 x 11/32") | 1            | 4        |
| NOTE: A - Specify U67 upholstery color when ordering.<br>B - Right/Left<br>C - Includes items 6 thru 16<br>D - Includes items 18 thru 21 |      |             |                                    |              |          |