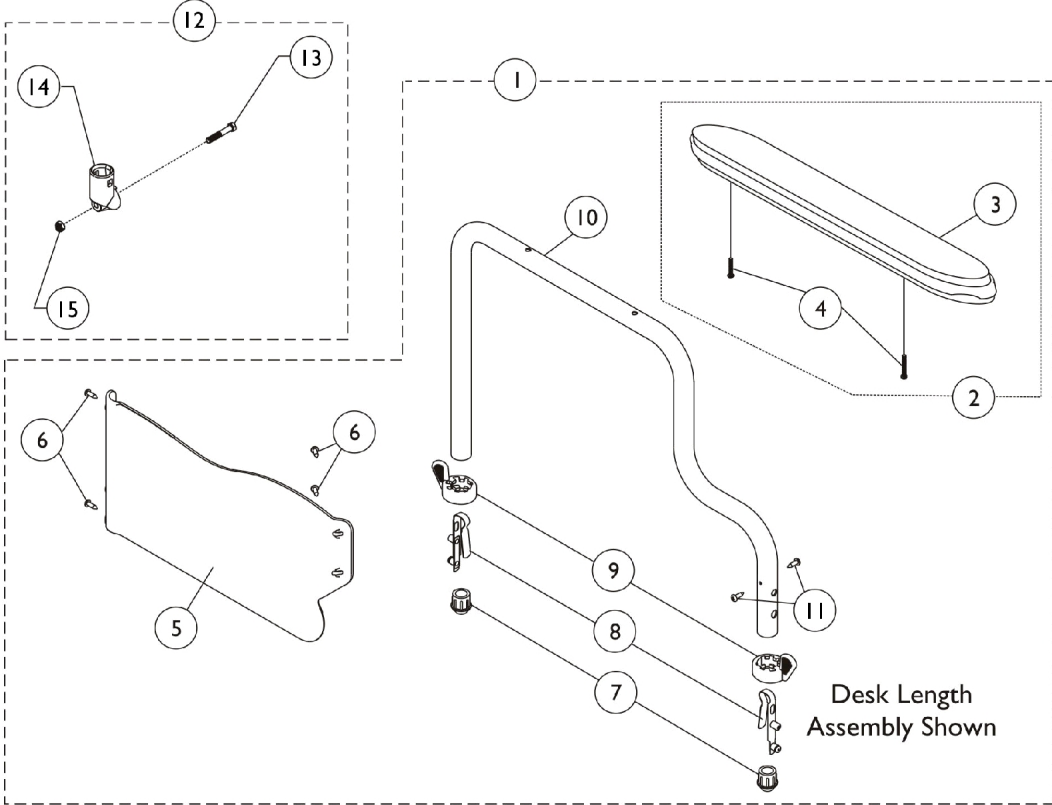
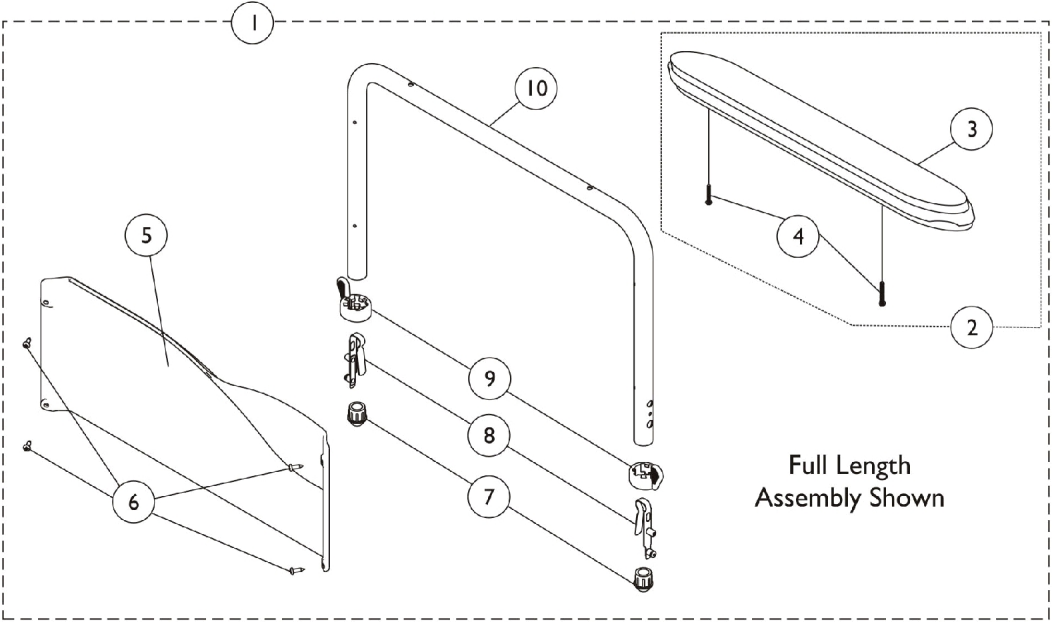


# 9000XDT Removable Conventional Fixed Height Arms



# 9000XDT Removable Conventional Fixed Height Arms

Item Number	Note	Part Number	Description	Quantity Per	
				Package	Assembly
1	A,C	8881130815	Kit, Armrest, Desk Length, Color - Right (Style 28)	1	1
3			Arm Pad, Desk Length w/ Law Label	1	1
4			Package, Screw Phillips Pan Head (#10-32 x 1-1/8")	1	2
5			NLA - Guard, Clothing, Desk Length - Right	1	1
6			Screw, Self Tapping (#6-20 x 1/2")	1	4
7			Plug, Armrest, Black (3/4") (18GA)	1	2
8			Spring, Torsion with Button Lock	1	2
9			Handle, Quad Release	1	2
10			Tube, Armrest, Conventional, Desk Length, Color	1	1
11			Screw, Phillips Pan Head Tap (#6-20 x 3/8")	1	2
6			A,C	1116900	Screw, Self Tapping (#6-20 x 1/2")
1	8881130816	Kit, Armrest, Desk Length, Color - Left (Style 28)		1	1
3		Arm Pad, Desk Length w/ Law Label		1	1
4		Package, Screw Phillips Pan Head (#10-32 x 1-1/8")		1	2
5		NLA - Guard, Clothing, Desk Length - Left		1	1
6		Screw, Self Tapping (#6-20 x 1/2")		1	4
7		Plug, Armrest, Black (3/4") (18GA)		1	2
8		Spring, Torsion with Button Lock		1	2
9		Handle, Quad Release		1	2
10		Tube, Armrest, Conventional, Desk Length, Color - Left		1	1
11		Screw, Phillips Pan Head Tap (#6-20 x 3/8")		1	2
6		A,C	1116900	Screw, Self Tapping (#6-20 x 1/2")	1
1	8881130817		Kit, Armrest, Full Length, Color - Right (Style 18)	1	1
3			NLA - Pad, Arm, Full Length w/ Law Label	1	1
4			Package, Screw Phillips Pan Head (#10-32 x 1-1/8")	1	1
5			Guard, Clothing, Full Length - Right	1	1
6			Screw, Self Tapping (#6-20 x 1/2")	1	4
7			Plug, Armrest, Black (3/4") (18GA)	1	2
8			Spring, Torsion with Button Lock	1	2
9			Handle, Quad Release	1	2
10			Armrest, Conventional, Full Height, Color	1	1
5			1110079	Guard, Clothing, Full Length - Right	1
6		A,C	1116900	Screw, Self Tapping (#6-20 x 1/2")	1
1	8881130818		Kit, Armrest, Full Length, Color - Left (Style 18)	1	1
3			NLA - Pad, Arm, Full Length w/ Law Label	1	1
4			Package, Screw Phillips Pan Head (#10-32 x 1-1/8")	1	2
5			Guard, Clothing, Full Length - Left	1	1
6			Screw, Self Tapping (#6-20 x 1/2")	1	4
7			Plug, Armrest, Black (3/4") (18GA)	1	2
8			Spring, Torsion with Button Lock	1	2
9			Handle, Quad Release	1	2
10			Armrest, Conventional, Full Height, Color	1	1
5			1110080	Guard, Clothing, Full Length - Left	1
6		A,F	1116900	Screw, Self Tapping (#6-20 x 1/2")	1
1	8881130819		Kit, Armrest, Full Length, Black - Right (Style 18)	1	1
3			NLA - Pad, Arm, Full Length w/ Law Label	1	1

# 9000XDT Removable Conventional Fixed Height Arms

Item Number	Note	Part Number	Description	Quantity Per	
				Package	Assembly
4			Package, Screw Phillips Pan Head (#10-32 x 1-1/8")	1	1
5			Guard, Clothing, Full Length - Right	1	1
6			Screw, Self Tapping (#6-20 x 1/2")	1	4
7			Plug, Armrest, Black (3/4") (18GA)	1	2
8			Spring, Torsion with Button Lock	1	2
9			Handle, Quad Release	1	2
10			Tube, Armrest, Conventional, Full Length, Black	1	1
5		1110079	Guard, Clothing, Full Length - Right	1	1
6		1116900	Screw, Self Tapping (#6-20 x 1/2")	1	4
1	A,F	8881130820	Kit, Armrest, Full Length, Black - Left (Style 18)	1	1
3			NLA - Pad, Arm, Full Length w/ Law Label	1	1
4			Package, Screw Phillips Pan Head (#10-32 x 1-1/8")	1	1
5			Guard, Clothing, Full Length - Left	1	1
6			Screw, Self Tapping (#6-20 x 1/2")	1	4
7			Plug, Armrest, Black (3/4") (18GA)	1	2
8			Spring, Torsion with Button Lock	1	2
9			Handle, Quad Release	1	2
10			Tube, Armrest, Conventional, Full Length, Black	1	1
5		1110080	Guard, Clothing, Full Length - Left	1	1
6		1116900	Screw, Self Tapping (#6-20 x 1/2")	1	4
2	B,F	8881127509	Kit, Arm Pad w/Screws - Full Length	1	1
3			NLA - Pad, Arm, Full Length w/ Law Label	1	1
4			Package, Screw Phillips Pan Head (#10-32 x 1-1/8")	1	2
2	B,F	8881127510	Kit, Arm Pad w/Screws - Desk Length	1	1
3			Arm Pad, Desk Length w/ Law Label	1	1
4			Package, Screw Phillips Pan Head (#10-32 x 1-1/8")	1	2
12	D	1058139	Kit, Armrest Hardware	1	1
13			NLA - Screw, Hex Head (1/4-20 x 1-3/8")	1	1
14			Cup, Socket Pivot	1	1
15			Locknut (1/4-20)	1	1
	E	1110285	Guard, Clothing, Desk Length - Right	1	1
	E	1110286	Guard, Clothing, Desk Length - Left	1	1
	E	1110287	Guard, Clothing, Full Length - Right	1	1
	E	1110288	Guard, Clothing, Full Length - Left	1	1

NOTE: A - Includes items 2-10 for Full Length Arms and items 2-11 for Desk Length Arms.  
 B - Includes: Items 3 and 4.  
 C - Specify frame finish and upholstery color when ordering. See category titled, "Frame Finishes, Upholstery Colors, Decals and Packaging."  
 D - Includes items 13-15.  
 E - Not Shown. Includes clothing guard and decal only. Replacement hardware listed within kits.  
 F - Specify upholstery color when ordering. See category titled, "Frame Finishes, Upholstery Colors, Decals and Packaging."