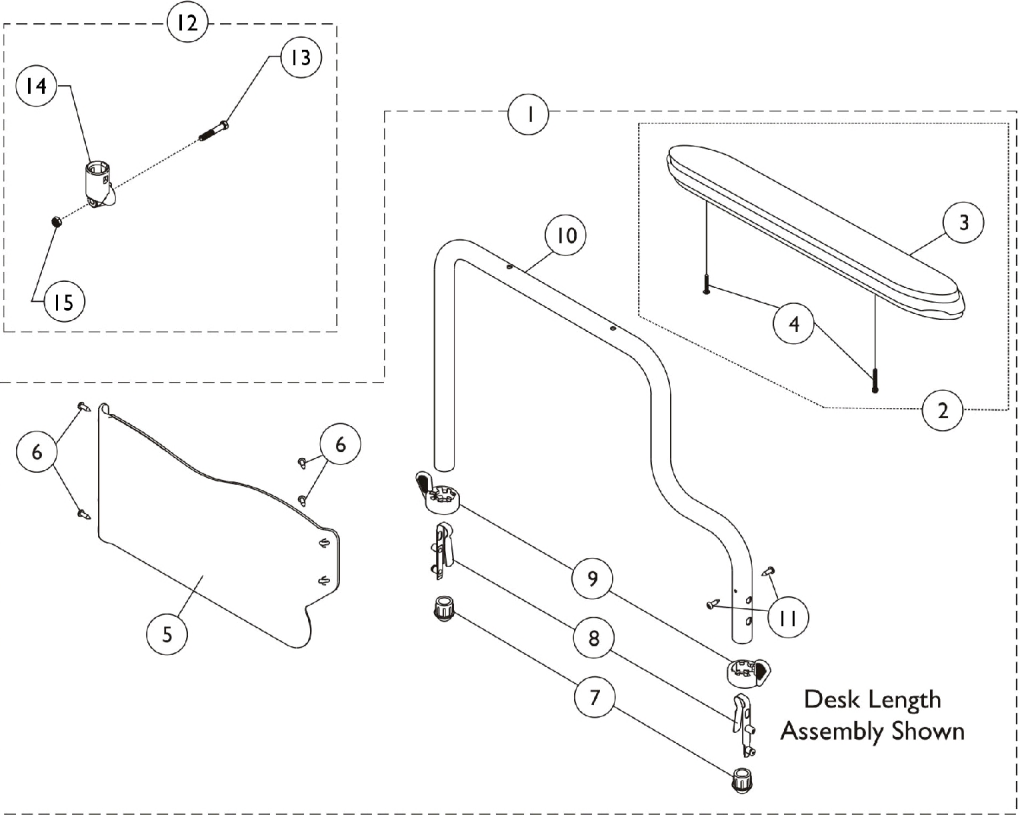
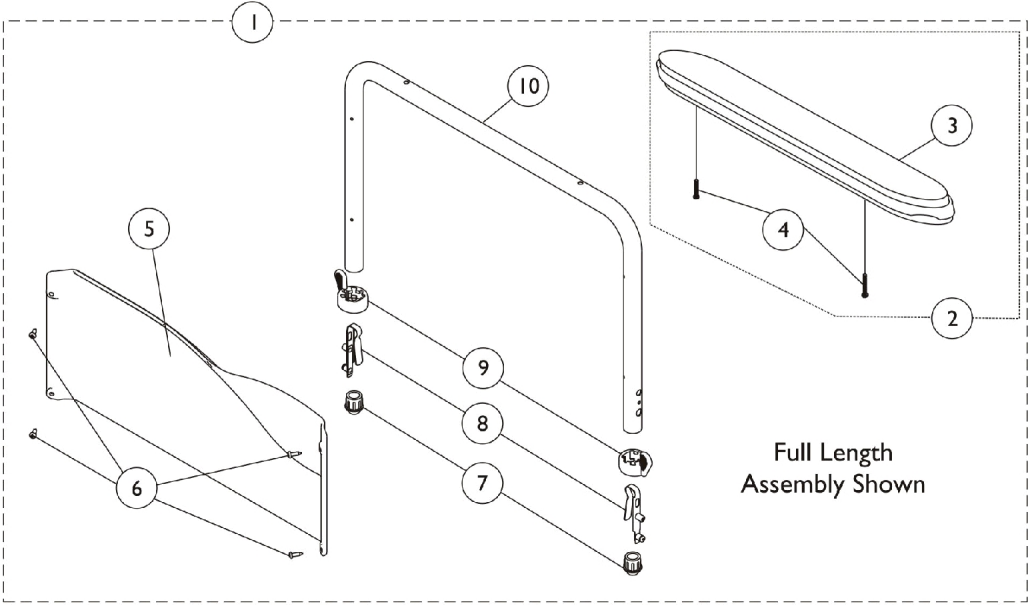


9000XT Removable Conventional Fixed Height Arms



9000XT Removable Conventional Fixed Height Arms

Item Number	Note	Part Number	Description	Quantity Per	
				Package	Assembly
1	A,F	8881130821	Kit, Armrest, Full Length, Black - Right (Style 18)	1	1
3			NLA - Pad, Arm, Full Length w/ Law Label	1	1
4			Package, Screw Phillips Pan Head (#10-32 x 1-1/8")	1	2
5			Guard, Clothing, Full Length - Right	1	1
6			Screw, Self Tapping (#6-20 x 1/2")	1	4
7			Plug, Armrest, Black (3/4") (18GA)	1	2
8			Spring, Torsion with Button Lock	1	2
9			Handle, Quad Release	1	2
10			NLA - Tube, Armrest, Conventional, Full Height, Black	1	1
5				1110079	Guard, Clothing, Full Length - Right
6		1116900	Screw, Self Tapping (#6-20 x 1/2")	1	4
1	A,F	8881130822	Kit, Armrest, Full Length, Black - Left (Style 18)	1	1
3			NLA - Pad, Arm, Full Length w/ Law Label	1	1
4			Package, Screw Phillips Pan Head (#10-32 x 1-1/8")	1	2
5			Guard, Clothing, Full Length - Left	1	1
6			Screw, Self Tapping (#6-20 x 1/2")	1	4
7			Plug, Armrest, Black (3/4") (18GA)	1	2
8			Spring, Torsion with Button Lock	1	2
9			Handle, Quad Release	1	2
10			NLA - Tube, Armrest, Conventional, Full Height, Black	1	1
5				1110080	Guard, Clothing, Full Length - Left
6		1116900	Screw, Self Tapping (#6-20 x 1/2")	1	4
1	A,F	8881135540	Kit, Armrest, Desk Length, Black - Right (Style 28)	1	1
3			Arm Pad, Desk Length w/ Law Label	1	1
4			Package, Screw Phillips Pan Head (#10-32 x 1-1/8")	1	2
5			NLA - Guard, Clothing, Desk Length - Right	1	1
6			Screw, Self Tapping (#6-20 x 1/2")	1	4
7			Plug, Armrest, Black (3/4") (18GA)	1	2
8			Spring, Torsion with Button Lock	1	2
9			Handle, Quad Release	1	2
10			Armrest, Desk Length, Black - Right	1	1
11			Screw, Phillips Pan Head Tap (#6-20 x 3/8")	1	2
1			A,F	8881135541	Kit, Armrest, Desk Length, Black - Left (Style 28)
3	Arm Pad, Desk Length w/ Law Label	1			1
4	Package, Screw Phillips Pan Head (#10-32 x 1-1/8")	1			2
5	NLA - Guard, Clothing, Desk Length - Left	1			1
6	Screw, Self Tapping (#6-20 x 1/2")	1			4
7	Plug, Armrest, Black (3/4") (18GA)	1			2
8	Spring, Torsion with Button Lock	1			2
9	Handle, Quad Release	1			2
10	Armrest, Desk Length, Black - Left	1			1
11	Screw, Phillips Pan Head Tap (#6-20 x 3/8")	1			2
1	A,B	8881130823			Kit, Armrest, Full Length, Color - Right (Style 18)
3			NLA - Pad, Arm, Full Length w/ Law Label	1	1
4			Package, Screw Phillips Pan Head (#10-32 x 1-1/8")	1	2

9000XT Removable Conventional Fixed Height Arms

Item Number	Note	Part Number	Description	Quantity Per	
				Package	Assembly
5			Guard, Clothing, Full Length - Right	1	1
6			Screw, Self Tapping (#6-20 x 1/2")	1	4
7			Plug, Armrest, Black (3/4") (18GA)	1	2
8			Spring, Torsion with Button Lock	1	2
9			Handle, Quad Release	1	2
10			Tube, Armrest, Conventional, Full Height, Color	1	1
5		1110079	Guard, Clothing, Full Length - Right	1	1
6		1116900	Screw, Self Tapping (#6-20 x 1/2")	1	4
1	A,B	8881130824	Kit, Armrest, Full Length, Color - Left (Style 18)	1	1
3			NLA - Pad, Arm, Full Length w/ Law Label	1	1
4			Package, Screw Phillips Pan Head (#10-32 x 1-1/8")	1	2
5			Guard, Clothing, Full Length - Left	1	1
6			Screw, Self Tapping (#6-20 x 1/2")	1	4
7			Plug, Armrest, Black (3/4") (18GA)	1	2
8			Spring, Torsion with Button Lock	1	2
9			Handle, Quad Release	1	2
10			Tube, Armrest, Conventional, Full Height, Color	1	1
5		1110080	Guard, Clothing, Full Length - Left	1	1
6		1116900	Screw, Self Tapping (#6-20 x 1/2")	1	4
1	A,B	8881135542	Kit, Armrest, Desk Length, Color - Right (Style 28)	1	1
3			Arm Pad, Desk Length w/ Law Label	1	1
4			Package, Screw Phillips Pan Head (#10-32 x 1-1/8")	1	2
5			NLA - Guard, Clothing, Desk Length - Right	1	1
6			Screw, Self Tapping (#6-20 x 1/2")	1	4
7			Plug, Armrest, Black (3/4") (18GA)	1	2
8			Spring, Torsion with Button Lock	1	2
9			Handle, Quad Release	1	2
10			Tube, Armrest, Desk Length, Color - Right	1	1
11			Screw, Phillips Pan Head Tap (#6-20 x 3/8")	1	2
1	A,B	8881135543	Kit, Armrest, Desk Length, Color - Left (Style 28)	1	1
3			Arm Pad, Desk Length w/ Law Label	1	1
4			Package, Screw Phillips Pan Head (#10-32 x 1-1/8")	1	2
5			NLA - Guard, Clothing, Desk Length - Left	1	1
6			Screw, Self Tapping (#6-20 x 1/2")	1	4
7			Plug, Armrest, Black (3/4") (18GA)	1	2
8			Spring, Torsion with Button Lock	1	2
9			Handle, Quad Release	1	2
10			Tube, Armrest, Desk Length, Color - Left	1	1
11			Screw, Phillips Pan Head Tap (#6-20 x 3/8")	1	2
2	C,F	8881127509	Kit, Arm Pad w/Screws - Full Length	1	1
3			NLA - Pad, Arm, Full Length w/ Law Label	1	1
4			Package, Screw Phillips Pan Head (#10-32 x 1-1/8")	1	2
2	C,F	8881127510	Kit, Arm Pad w/Screws - Desk Length	1	1
3			Arm Pad, Desk Length w/ Law Label	1	1
4			Package, Screw Phillips Pan Head (#10-32 x 1-1/8")	1	2
12	D	1058139	Kit, Armrest Hardware	1	1
13			NLA - Screw, Hex Head (1/4-20 x 1-3/8")	1	1

9000XT Removable Conventional Fixed Height Arms

Item Number	Note	Part Number	Description	Quantity Per	
				Package	Assembly
14			Cup, Socket Pivot	1	1
15			Locknut (1/4-20)	1	1
	E	1110285	Guard, Clothing, Desk Length - Right	1	1
	E	1110286	Guard, Clothing, Desk Length - Left	1	1
	E	1110287	Guard, Clothing, Full Length - Right	1	1
	E	1110288	Guard, Clothing, Full Length - Left	1	1
<p>NOTE: A - Includes items 3-10 for Full Length Arms and items 3-11 for Desk Length Arms. B - Specify frame finish and upholstery color, see page titled "Frame Finishes, Upholstery Colors, Decals, and Packaging." C - Includes items 3 and 4. D - Includes items 13-15. E - Not Shown. Includes clothing guard and decal only. Replacement hardware listed within kits. F - Specify upholstery color when ordering. See page titled "Frame Finishes, Upholstery Colors, Decals, and Packaging."</p>					