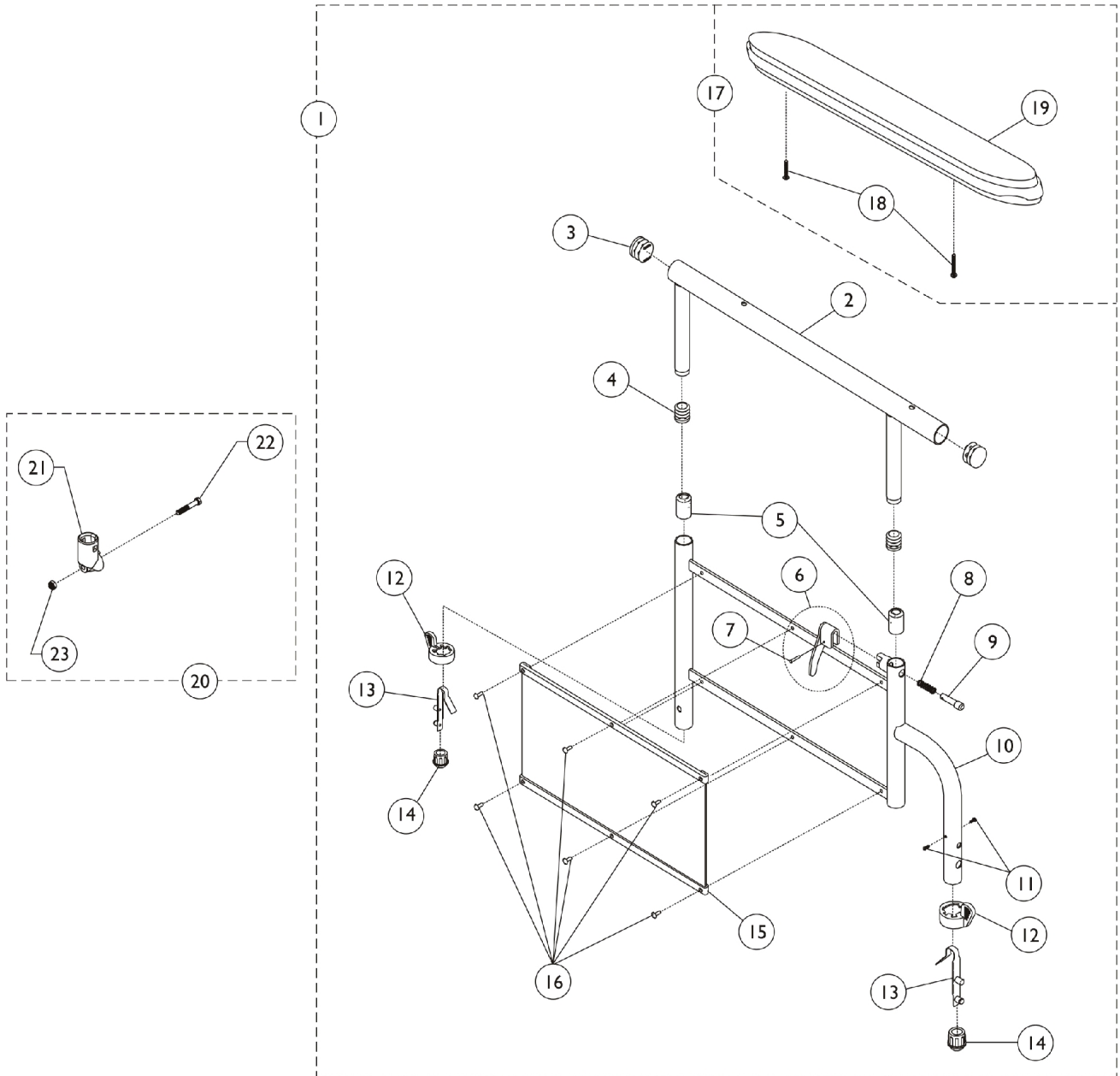


9000SL Removable Conventional Adjustable Height Arms



9000SL Removable Conventional Adjustable Height Arms

Item Number	Note	Part Number	Description	Quantity Per	
				Package	Assembly
1	A,G,H	8881130797	Kit, Armrest, Full Length, Black - Right (Style 19)	1	1
2			Tube, Armrest, Full Length, Black	1	1
3			Plug Button, Black (7/8")	1	2
4			Plug Button, Black (5/8")	1	2
5			Anti-Rattle	1	2
6			Handle, Lock, Black - Right	1	1
7			Rivet, Tubular	1	1
8			Spring, Arm Lock	1	1
9			Pin, Locking	1	1
10			Arm Base, Black	1	1
11			Screw, Phillips Pan Head Tap (#6-20 x 3/8")	1	2
12			Handle, Quad Release	1	2
13			Spring, Torsion with Button Lock	1	2
14			Plug, Armrest, Black (3/4") (18GA)	1	1
14			Plug, Armrest, Black (3/4") (20GA)	1	1
15			Guard, Clothing	1	1
16			Rivet	1	6
18			Package, Screw Phillips Pan Head (#10-32 x 1-1/8")	2	1
19			NLA - Pad, Arm, Full Length w/ Law Label	1	1
15			1064129	Guard, Clothing	1
16	1028645	Rivet	1	6	
1	A,G,H	8881130798	Kit, Armrest, Full Length, Black - Left (Style 19)	1	1
2			Tube, Armrest, Full Length, Black	1	1
3			Plug Button, Black (7/8")	1	2
4			Plug Button, Black (5/8")	1	2
5			Anti-Rattle	1	2
6			Handle, Lock, Black - Left	1	1
7			Rivet, Tubular	1	1
8			Spring, Arm Lock	1	1
9			Pin, Locking	1	1
10			Arm Base, Black	1	1
11			Screw, Phillips Pan Head Tap (#6-20 x 3/8")	1	2
12			Handle, Quad Release	1	2
13			Spring, Torsion with Button Lock	1	2
14			Plug, Armrest, Black (3/4") (18GA)	1	1
14			Plug, Armrest, Black (3/4") (20GA)	1	1
15			Guard, Clothing	1	1
16			Rivet	1	6
18			Package, Screw Phillips Pan Head (#10-32 x 1-1/8")	2	1
19			NLA - Pad, Arm, Full Length w/ Law Label	1	1
15			1064129	Guard, Clothing	1
16	1028645	Rivet	1	6	
1	A,G,H	8881135520	Kit, Armrest, Desk Length, Black - Right (Style 29)	1	1
2			Tube, Armrest, Desk Length, Black	1	1
3			Plug Button, Black (7/8")	1	2
4			Plug Button, Black (5/8")	1	2
5			Anti-Rattle	1	2

9000SL Removable Conventional Adjustable Height Arms

Item Number	Note	Part Number	Description	Quantity Per	
				Package	Assembly
6			Handle, Lock, Black - Right	1	1
7			Rivet, Tubular	1	1
8			Spring, Arm Lock	1	1
9			Pin, Locking	1	1
10			Arm Base, Black	1	1
11			Screw, Phillips Pan Head Tap (#6-20 x 3/8")	1	2
12			Handle, Quad Release	1	2
13			Spring, Torsion with Button Lock	1	2
14			Plug, Armrest, Black (3/4") (18GA)	1	1
14			Plug, Armrest, Black (3/4") (20GA)	1	1
15			Guard, Clothing	1	1
16			Rivet	1	6
18			Package, Screw Phillips Pan Head (#10-32 x 1-1/8")	2	1
19			Arm Pad, Desk Length w/ Law Label	1	1
15		1064129	Guard, Clothing	1	1
16		1028645	Rivet	1	6
1	A,G,H	8881135521	Kit, Armrest, Desk Length, Black - Left (Style 29)	1	1
2			Tube, Armrest, Desk Length, Black	1	1
3			Plug Button, Black (7/8")	1	2
4			Plug Button, Black (5/8")	1	2
5			Anti-Rattle	1	2
6			Handle, Lock, Black - Left	1	1
7			Rivet, Tubular	1	1
8			Spring, Arm Lock	1	1
9			Pin, Locking	1	1
10			Arm Base, Black	1	1
11			Screw, Phillips Pan Head Tap (#6-20 x 3/8")	1	2
12			Handle, Quad Release	1	2
13			Spring, Torsion with Button Lock	1	2
14			Plug, Armrest, Black (3/4") (18GA)	1	1
14			Plug, Armrest, Black (3/4") (20GA)	1	1
15			Guard, Clothing	1	1
16			Rivet	1	6
18			Package, Screw Phillips Pan Head (#10-32 x 1-1/8")	2	1
19			Arm Pad, Desk Length w/ Law Label	1	1
15		1064129	Guard, Clothing	1	1
16		1028645	Rivet	1	6
17	B,G	8881127509	Kit, Arm Pad w/Screws - Full Length	1	1
18			Package, Screw Phillips Pan Head (#10-32 x 1-1/8")	2	1
19			NLA - Pad, Arm, Full Length w/ Law Label	1	1
17	B,G	8881127510	Kit, Arm Pad w/Screws - Desk Length	1	1
18			Package, Screw Phillips Pan Head (#10-32 x 1-1/8")	2	1
19			Arm Pad, Desk Length w/ Law Label	1	1
20	C	1058139	Kit, Armrest Hardware	1	1
21			Cup, Socket Pivot	1	1
22			NLA - Screw, Hex Head (1/4-20 x 1-3/8")	1	1
23			Locknut (1/4-20)	1	1

9000SL Removable Conventional Adjustable Height Arms

Item Number	Note	Part Number	Description	Quantity Per	
				Package	Assembly
	F	7100053	Arm Lock Assembly, Black - Right	1	1
			Handle, Lock, Black - Right	1	1
			Rivet, Tubular	1	2
			Pin, Locking	1	2
			Spring, Arm Lock	1	2
	F	7100054	Arm Lock Assembly, Black - Left	1	1
			Handle, Lock, Black - Left	1	1
			Rivet, Tubular	1	2
			Pin, Locking	1	2
			Spring, Arm Lock	1	2
<p>NOTE: A - Includes items 2-19. B - Includes items 18 and 19. C - Includes 21-23. F - Not Shown. Includes items 6-9. G - Specify upholstery color when ordering. See page titled "Frame Finishes, Upholstery Colors, Decals, Literature and Packaging". H - Item #14 Plug Button for 18GA Tubing used in front only.</p>					