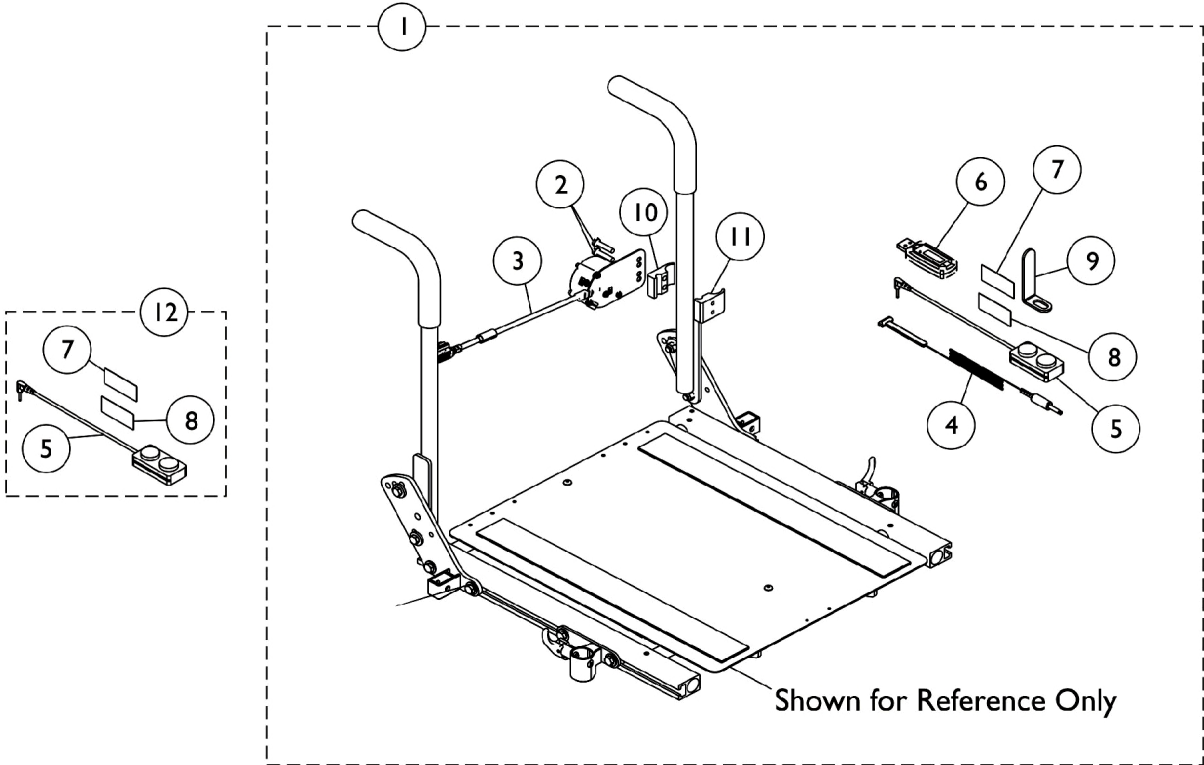


MK6i IR Wireless Mouse Module



MK6i IR Wireless Mouse Module

Item Number	Note	Part Number	Description	Quantity Per	
				Package	Assembly
1	A,C	See Note	See Footnote	1	1
3	D	See Note	See Footnote	1	1
4		1154089	Emmitter, IR, Single Head	1	1
12	B	1153635	Kit, Switch, Dual Push Button (2PB)	1	1

NOTE: A - Includes items 2-11, tie wraps and owner's manual.
 B - Includes items 5, 7 and 8
 C - Item #1 IR Mouse Mounting Assembly w/ Clamp Kit is no longer available as a serviceable kit.
 D - Item #3 IR Mouse Module Assembly is no longer available as a service part.