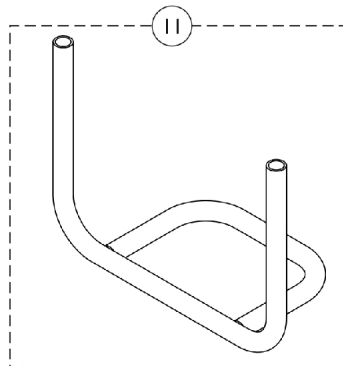
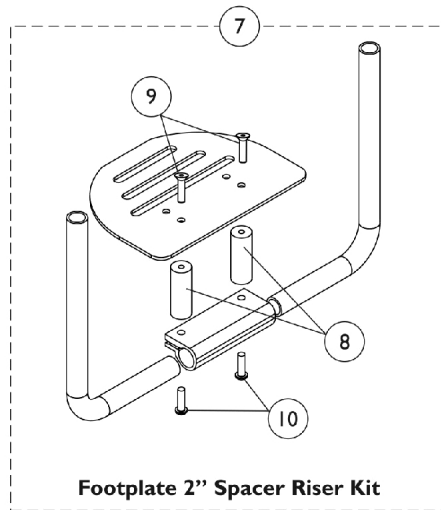
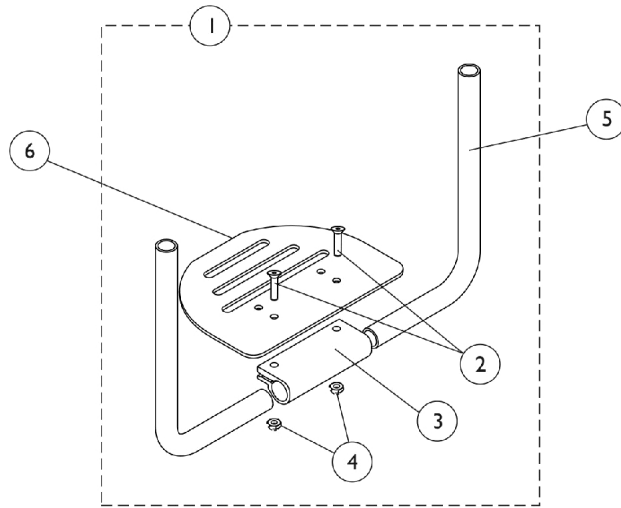


Footrest and Hardware



Footrest and Hardware

For Footrest Accessories, refer to Miscellaneous Accessories category

Item Number	Note	Part Number	Description	Quantity Per	
				Package	Assembly
1	A	1143284-NLA	NLA - Kit, Hardware, Footplate	1	1
2			NLA - Screw, Socket Flat Head (1/4-28 x 1")	1	2
3			NLA - Clamp, Footrest	1	1
4			Locknut (1/4-28)	1	2
5	J	8881143283	Tube, Support, Footrest, Tapered, Black	1	2
5	J	1143282-NLA	NLA - Tube, Support, Footrest, V Front, Black	1	2
6	B	1143290-NLA	NLA - Footplate (6-1/2" W)	1	1
6	C	1143291-NLA	NLA - Footplate (7-1/2" W)	1	1
6	D	1143292-NLA	NLA - Footplate (8-1/2" W)	1	1
6	E	1143293	Footplate (9-1/2" W)	1	1
6	F	1143286-NLA	NLA - Footplate (10-1/2" W)	1	1
7	I	1163655-NLA	NLA - Kit, Footplate 2" Spacer Riser	1	1
8			Spacer (16/64 x 3/4 x 2")	1	2
9			NLA - Screw, Socket Flat Head (1/4-28 x 1")	1	2
10			NLA - Screw, Button Head Cap (1/4-28 x 7/8")	1	2
11	G,J	8881146354-NL A	NLA - Footrest, Tubular w/ Holes, Black	1	1
11	J	8881143278	Footrest, Tubular w/o Holes, Black	1	1
	H	See Chart	Tubular Footrest Covers	1	1

NOTE: A - Includes items 2-4.
 B - For use on chairs 12-13" wide.
 C - For use on chairs 14-15" wide.
 D - For use on chairs 16-17" wide.
 E - For use on chairs 18-19" wide.
 F - For use on chairs 20" wide.
 G - Use with Tubular Footrest Cover options. See Chart
 H - Not shown.
 I - Includes items 8 - 11
 J - Order as a "special" order. Reference quote #090723085034 when ordering. The Serial Number and chair width must be added to order for the replacement service part also.

Tubular Footrest Covers

	12 - 14" W	15" W	16" W	17" W	18" W	19" W	20" W
Plastic Footrest Cover	1145654-NLA	1145655-NLA	1145656-NLA	1145657-NLA	1145658-NLA	1145659-NLA	1145660-NLA
Carbon Fiber Footrest Cover	1145647-NLA	1145648-NLA	1145649-NLA	1145650-NLA	1145651-NLA	1145652-NLA	1145653-NLA