

# Base, Seat and Backrest Frames

**NOTE: Please call Customer Service when ordering replacement frames. These frames are no longer available through the special order process and will no longer be replaced.**

## T6A Growth Order Instructions

**When growing the chair you need to change:**

**Width:**

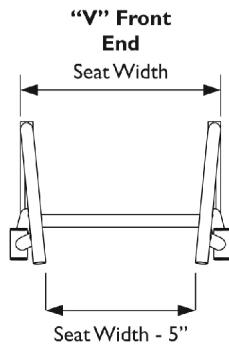
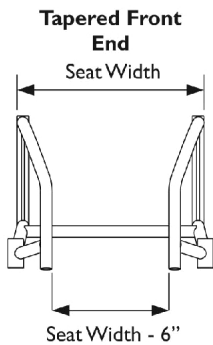
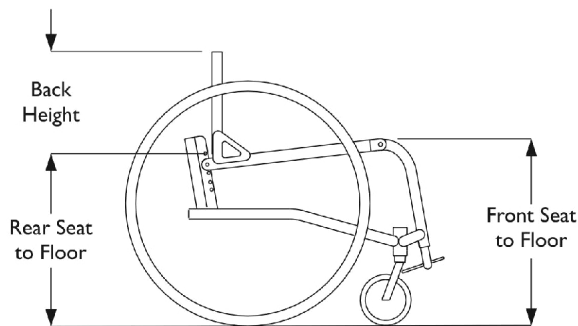
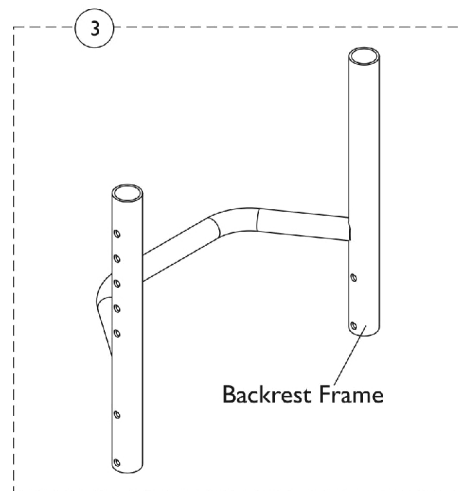
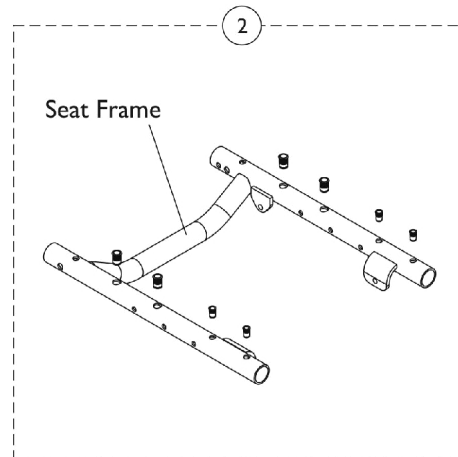
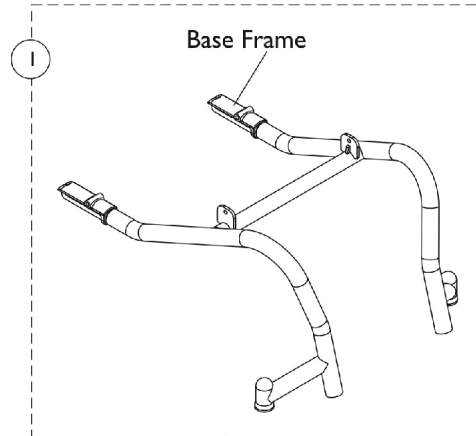
**Base Frame:** In the specials screen you need to have the serial number; type of front frame [tapered or "V"], seat width, camber angle, footrest type, fork type, caster type, size of rear wheels, type of rear tire, front seat to floor and rear seat to floor.

**Parts:** Seat Frame, Backrest, Camber Tube, Seat Back, Footplate (If needed), and Backrest Cord.

**Depth:**

**Base Frame:** In the specials screen you need to have the serial number; type of front frame [tapered or non], seat width and depth, camber angle, footrest type, fork type, caster type, size of rear wheels, type of rear tire, front seat to floor and rear seat to floor.

**Parts:** Seat Frame, Seat



# Base, Seat and Backrest Frames

**NOTE: Please call Customer Service when ordering replacement frames. These frames are no longer available through the special order process and will no longer be replaced.**

## #1 Base Frames

**Please call Customer Service when ordering replacement frames. These frames are no longer available through the special order process**

Frame Style	Part Number
CRF111 - Active	8881164129-NLA See Note(s) A
CRF113 - Extended	8881164130 See Note(s) A
CRF111 Active - Canadian	8881164127-NLA
CRF113 - Extended - Canadian	8881164128-NLA

NOTE: A - Specify frame color when ordering, see category titled, "Frame Finishes."

## #2 Seat Frames (Before 1/12/11)

	14" Deep	15" Deep	16" Deep	17" Deep	18" Deep	19" Deep	20" Deep
12" Width	8881160479-NLA	N/A	N/A	N/A	N/A	N/A	N/A
13" Width	8881160480-NLA	N/A	N/A	N/A	N/A	N/A	N/A
14" Width	8881160481-NLA	8881160482-NLA	8881160483-NLA	8881160484-NLA	8881160485-NLA	N/A	N/A
15" Width	8881160486-NLA	8881160487-NLA	8881160488-NLA	8881160489-NLA	8881160490-NLA	N/A	N/A
16" Width	8881160491-NLA	8881160492-NLA	8881160493-NLA	8881160494-NLA	8881160495-NLA	8881160496-NLA	N/A
17" Width	8881160497-NLA	8881160498-NLA	8881160499-NLA	8881160500-NLA	8881160501-NLA	8881160502-NLA	N/A
18" Width	8881160503-NLA	8881160504-NLA	8881160505-NLA	8881160506-NLA	8881160507-NLA	8881160508-NLA	8881160509-NLA
19" Width	N/A	N/A	8881160510-NLA	8881160511-NLA	8881160512-NLA	8881160513-NLA	8881160514-NLA
20" Width	N/A	N/A	8881160515-NLA	8881160516-NLA	8881160517-NLA	8881160518-NLA	8881160519-NLA

Specify frame color when ordering, see category titled, "Frame Finishes."  
These Frames are No Longer Available, please see Chart labeled "#2 Seat Frames (After 1/11/12) to order Frame parts.

## Base, Seat and Backrest Frames

**NOTE: Please call Customer Service when ordering replacement frames. These frames are no longer available through the special order process and will no longer be replaced.**

### #2 Seat Frames (After 1/11/11)

Seat Depth	14" Deep	15" Deep	16" Deep	17" Deep	18" Deep	19" Deep	20" Deep
12" Width	8881169931-NLA	N/A	N/A	N/A	N/A	N/A	N/A
13" Width	8881169932-NLA	N/A	N/A	N/A	N/A	N/A	N/A
14" Width	8881169933-NLA	8881169938-NLA	8881169939-NLA	8881169950-NLA	8881169951-NLA	N/A	N/A
15" Width	8881169934-NLA	8881169940-NLA	8881169941-NLA	8881169952-NLA	8881169953-NLA	N/A	N/A
16" Width	8881169935-NLA	8881169942-NLA	8881169943-NLA	8881169954-NLA	8881169955-NLA	8881169964-NLA	N/A
17" Width	8881169936-NLA	8881169944-NLA	8881169945-NLA	8881169956-NLA	8881169957-NLA	8881169965-NLA	N/A
18" Width	8881169937-NLA	8881169946-NLA	8881169947-NLA	8881169958-NLA	8881169959-NLA	8881169966-NLA	8881169967-NLA
19" Width	N/A	N/A	8881169948-NLA	8881169960-NLA	8881169961-NLA	8881169968-NLA	8881169969-NLA
20" Width	N/A	N/A	8881169949	8881169962-NLA	8881169963-NLA	8881169970-NLA	8881169971-NLA

Specify frame color when ordering, see category titled, "Frame Finishes."

### #3 Backrest Frames - 10 - 14" H (Before 5/22/09)

#### For Chairs with Integral Bolt Through Push Handles (CRF97)

Height	10 - 14" H
12" W	8881134354
13" W	8881134359-NLA
14" W	8881134364
15" W	8881134338
16" W	8881134339
17" W	8881134376
18" W	8881134380
19" W	8881134384
20" W	8881134389

Specify Frame color when ordering, see Category titled, "Frame Finishes" for list of available colors.

## Base, Seat and Backrest Frames

**NOTE: Please call Customer Service when ordering replacement frames. These frames are no longer available through the special order process and will no longer be replaced.**

### #3 Backrest Frames - All Heights (After 5/21/09 - Before 6/4/2012)

**For Chairs with Integral Bolt Through Push Handles (CRF97)**

Height	8 - 11" H	10 - 14" H, 12 - 16" H 14 - 18" H, 16 - 20" H
12" W	8881134353	8881134354
13" W	8881134358-NLA	8881134359-NLA
14" W	8881134363	8881134364
15" W	8881134368	8881134338
16" W	8881134371	8881134339
17" W	8881134375	8881134376
18" W	8881134379	8881134380
19" W	8881134383	8881134384
20" W	8881134388	8881134389

Specify Frame color when ordering, see Category titled, "Frame Finishes" for list of available colors.

### #3 Backrest Frames - All Heights (After 6/3/2012)

**For Chairs w/ Integral Bolt Through Push Handles (CRF97)**

Height	8 - 11" H	10 - 14" H	12 - 16" H	14 - 18" H	16 - 20" H
12" W	8881134353	8881134354	8881134355-NLA	8881134356-NLA	8881134357-NLA
13" W	8881134358-NLA	8881134359-NLA	8881134360-NLA	8881134361-NLA	8881134362-NLA
14" W	8881134363	8881134364	8881134365	8881134366	8881134367
15" W	8881134368	8881134338	8881134344	8881134369	8881134370
16" W	8881134371	8881134339	8881134372	8881134373	8881134374
17" W	8881134375	8881134376	8881134281	8881134377	8881134378
18" W	8881134379	8881134380	8881134352	8881134381	8881134382
19" W	8881134383	8881134384	8881134385	8881134386	8881134387
20" W	8881134388	8881134389	8881157162	8881157163	8881157164

Specify Frame color when ordering, see Category titled, "Frame Finishes" for list of available colors.

## Base, Seat and Backrest Frames

**NOTE: Please call Customer Service when ordering replacement frames. These frames are no longer available through the special order process and will no longer be replaced.**

### #3 Backrest Frames - All Heights

**For Chairs with or without Integral Bolt Through Push Handles (CRF97)**

Height	8 - 11" H	10 - 14" H	12 - 16" H	14 - 18" H	16 - 20" H
12" W	8881134353	8881134354	8881134355-NLA	8881134356-NLA	8881134357-NLA
13" W	8881134358-NLA	8881134359-NLA	8881134360-NLA	8881134361-NLA	8881134362-NLA
14" W	8881134363	8881134364	8881134365	8881134366	8881134367
15" W	8881134368	8881134338	8881134344	8881134369	8881134370
16" W	8881134371	8881134339	8881134372	8881134373	8881134374
17" W	8881134375	8881134376	8881134281	8881134377	8881134378
18" W	8881134379	8881134380	8881134352	8881134381	8881134382
19" W	8881134383	8881134384	8881134385	8881134386	8881134387
20" W	8881134388	8881134389	8881157162	8881157163	8881157164

Specify Frame color when ordering, see Category titled, "Frame Finishes" for list of available colors.