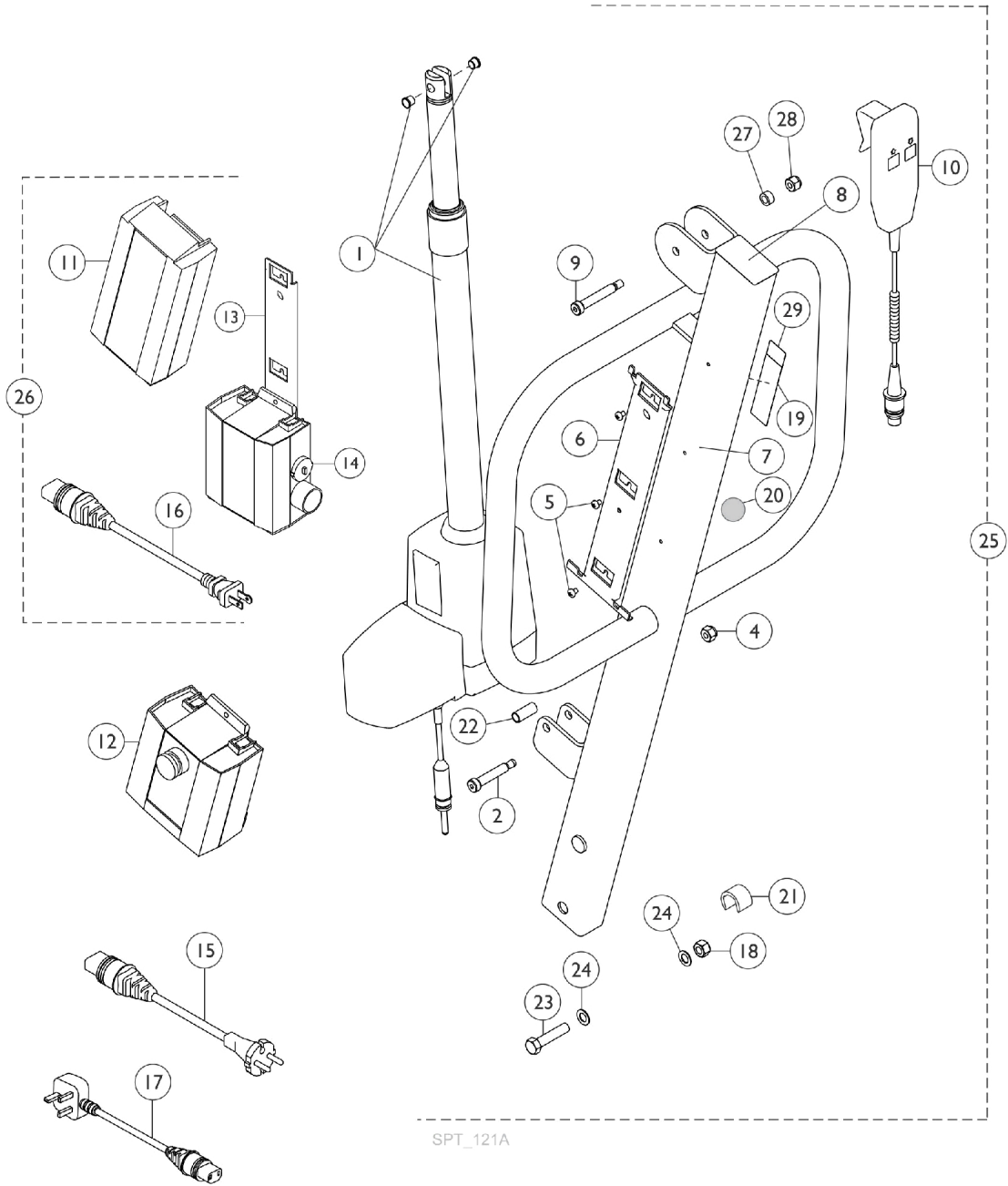


# Mast Assembly

## Model - RPA600-1



# Mast Assembly

## Model - RPA600-1

Item Number	Note	Part Number	Description	Quantity Per	
				Package	Assembly
1	G,H	60126449	Actuator Motor w/ Bushings	1	1
	B	1133691	Package, Emergency Pull Pin	10	1
2	A	1031665	Screw, Shoulder Hex Socket Head (3/8 x 1-1/2", 5/16-18)	1	1
3	A	1065214	Washer, Flat (3/8 x 11/16 x 1/16")	1	1
4	E	1064267	Locknut (5/16-18)	1	1
5		1078980	Screw, Phillips Pan Head (#10-24 x 1/4")	1	3
6		1078284	Bracket, Battery - Electric Only	1	1
7		1079045	Mast	1	1
8		1065361	Cap, End, Black (1-1/2 x 2-1/2")	1	1
9		1129465	Screw, Shoulder Hex Socket Head (3/8 x 2-1/4", 5/16-18)	1	1
10	F	1177604	Pendant, Two Channel w/ Hook	1	1
11		1078276	Battery Pack, Linak	1	1
12		1078275	Controller - Electric Only	1	1
13		1078306	Bracket, Wall Mount Charger	1	1
14	J	1078274	Charger, Electric Only w/o Power Cord	1	1
15		1079135-NLA	NLA - Cord, European - Electric Only	1	1
16		1079133	Cord, Power, USA	1	1
17		1079134-NLA	NLA - Cord, UK - Electric Only	1	1
18		1078981	Locknut (1/2-13)	1	1
19		1070965-NLA	NLA - Label, Lift Warning/Operation - USA	1	1
19		1079657-NLA	NLA - Label, Lift Warning/Operation - EUR	1	1
20		1075653	Label, CE Marking	1	1
21		1064269	Guard, Finger	1	1
22		1064443	Bushing (3/8 x 15/32 x 1-3/32")	1	2
23		1078979	Screw, Hex Head (1/2-13 x 2-1/4")	1	1
24		1026174	Washer (1/2 x 7/8 x 3/64")	1	2
25	D	1082596-NLA	NLA - Kit, Mast & Boom	1	1
26	C	1079815	Kit, Charger - USA Only	1	1
11			Battery Pack, Linak	1	1
13			Bracket, Wall Mount Charger	1	1
14			Charger, Electric Only w/o Power Cord	1	1
16			Cord, Power, USA	1	1
27		1129466	Spacer (3/8 x 5/8 x 11/32")	1	1
	B	10369X000-NLA	NLA - Wrench, Allen (3/16")	1	1
	B	1083039-NLA	NLA - Cover, Actuator, Padded with Instructions (Electric Lifts Only)	1	1
28	E	1028769	Locknut (5/16-18)	1	1
29		1130236-NLA	NLA - Kit, Label Warning - Bolt Mast w/Instruction - 600 Lift (Spanish)	1	1
			Sheet, Label 600 Lift (Spanish)	1	1
			Instruction Sheet, Label Kit (Spanish)	1	1
29		1130235-NLA	NLA - Kit, Label Warning - Bolt Mast w/Instruction - 600 Lift (French/Canadian)	1	1
			Sheet, Label 600 Lift (French/Canadian)	1	1
			Instruction Sheet, Label Kit (French/Canadian)	1	1

# Mast Assembly

## Model - RPA600-1

Item Number	Note	Part Number	Description	Quantity Per	
				Package	Assembly
30	F	1161593	Package, Rubber Clip	10	1
	I	1079815	Kit, Charger - USA Only	1	1
11			Battery Pack, Linak	1	1
13			Bracket, Wall Mount Charger	1	1
14			Charger, Electric Only w/o Power Cord	1	1
16			Cord, Power, USA	1	1
<p>NOTE: A - After 3/99 it has been determined that #1065214 is no longer required in order to attach the Mast to Actuator assemblies.            B - Not Shown. On 3/19/2010, the pull pin was replaced with a pull grip that is not serviceable.            C - Includes items 11, 13, 14 and 16.            D - For Boom Assembly see section titled, "Boom Assembly RPA600-1."            E - After 8/21/06 the quantity for Locknut 1064267 item 4 changed to Qty 1 for the Mast Assembly. Locknut 1028769 Item 28 was added to the Mast Assembly.            F - 1161593 should slip over Clip on Handset to provide stable positioning for Handset.            G - As of 3/19/2010, the pull pin changed to a pull grip.            H - Part #1078273 Actuator Motor is No Longer Available and replaced with part #60126449 Actuator Motor that now includes press-fitted Bushings.            I - Includes items 11,13,14,16            J - Power Cord not included with Charger.</p>					