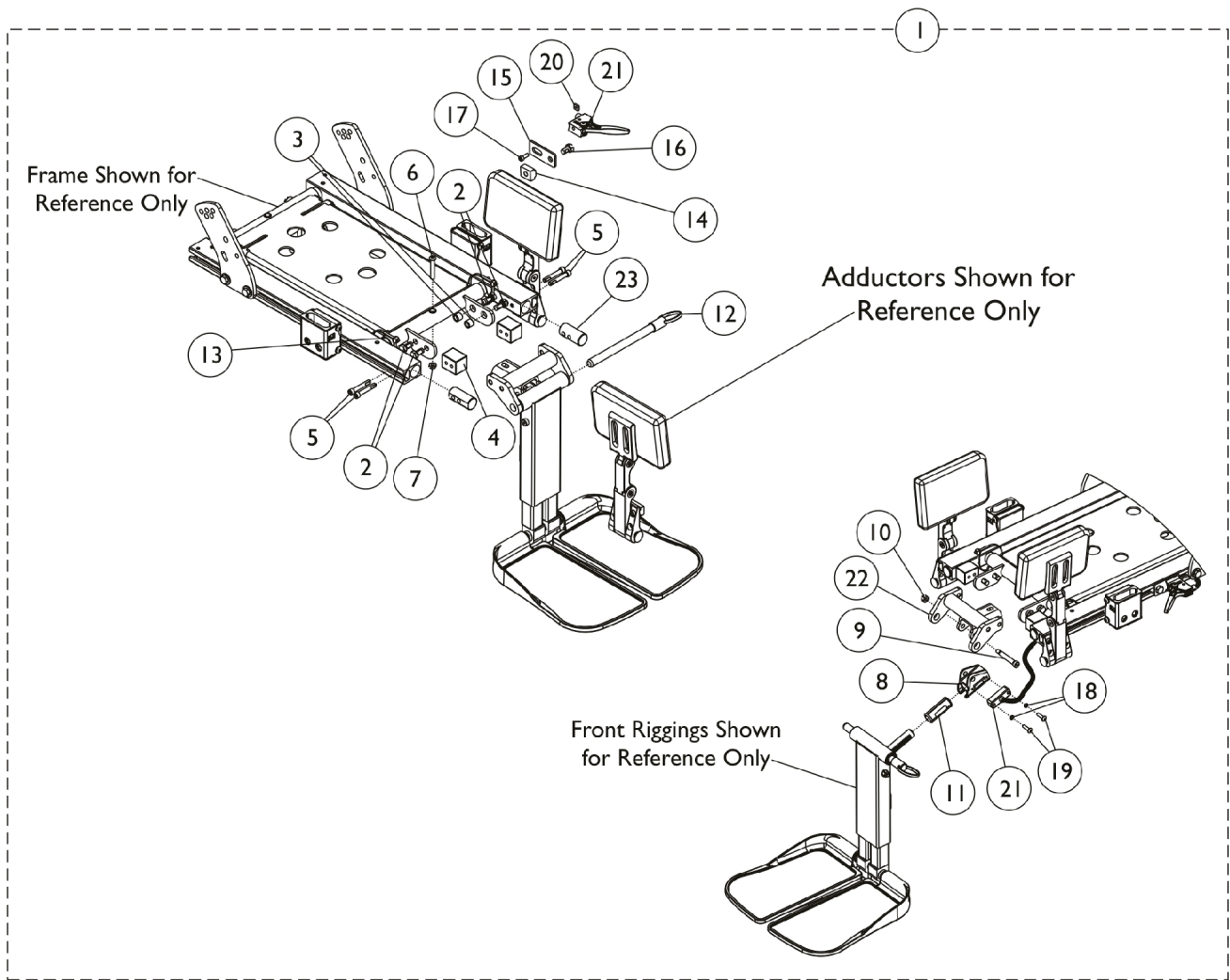


Adductor Mounting Hardware - Jr. Center Mount Front Riggings - Tilt

For replacement Adductors, see section titled, "Accessories-Adductors" within the Formula™CG Powered Seating Elevate CGE Tilt CGT/CGTE Recline CGR Tilt/Recline CGTR/CGTRE parts book.



Adductor Mounting Hardware - Jr. Center Mount Front Riggings - Tilt

For replacement Adductors, see section titled, "Accessories-Adductors" within the Formula™CG Powered Seating Elevate CGE Tilt CGT/CGTE Recline CGR Tilt/Recline CGTR/CGTRE parts book.

Item Number	Note	Part Number	Description	Quantity Per	
				Package	Assembly
1	A	1162444-NLA	NLA - Kit, Adductor Mounting Hardware, Jr. Center Mount, Tilt	1	1
2			Screw, Hex Head w/ Patch (5/16-18 x 5/8")	1	4
3			Spacer (5/16 x 7/16 x 3/8")	1	2
4			Block, Threaded	1	2
5			Screw, Socket Head Cap w/ Patch (1/4-20 x 1-1/2")	1	4
6			Screw, Socket Button Head (1/4-20 x 1-1/2")	1	1
7			Locknut (1/4-20)	1	1
8			Housing, Ratchet	1	1
9			Screw, Shoulder Hex Socket Head (5/16" x 1-5/8", 1/4-20)	1	1
10			Locknut (1/4-20)	1	1
11			Bearing, Glide	1	2
12			NLA - Pin, Quick Release (5" Long)	1	1
13			Tie Wrap (11-1/2" L)	1	2
14			T-Nut (5/16-18)	1	1
15			Bracket, Release Handle Mounting, Black	1	1
16			NLA - Screw, Hex Head w/ Patch (5/16-18 x 1/2")	1	1
17			NLA - Screw, Socket Head (#10-32 x 1/2")	1	1
18			NLA - Washer, Lock (3/16 x 5/16 x 1/32")	1	2
19			Screw, Phillips Pan Head (#10-32 x 11/16")	1	2
20			Nut, Square (#10-32)	1	1
21			Cable/Brake Assembly	1	2
22			Support, Footrest, Center Mount Rigging, Black	1	1
23			Plug, Support	1	2
21		1121079	Cable/Brake Assembly w/ Ratchet Housing and Glide Bearing	1	1

NOTE: A - Includes items 2-23.