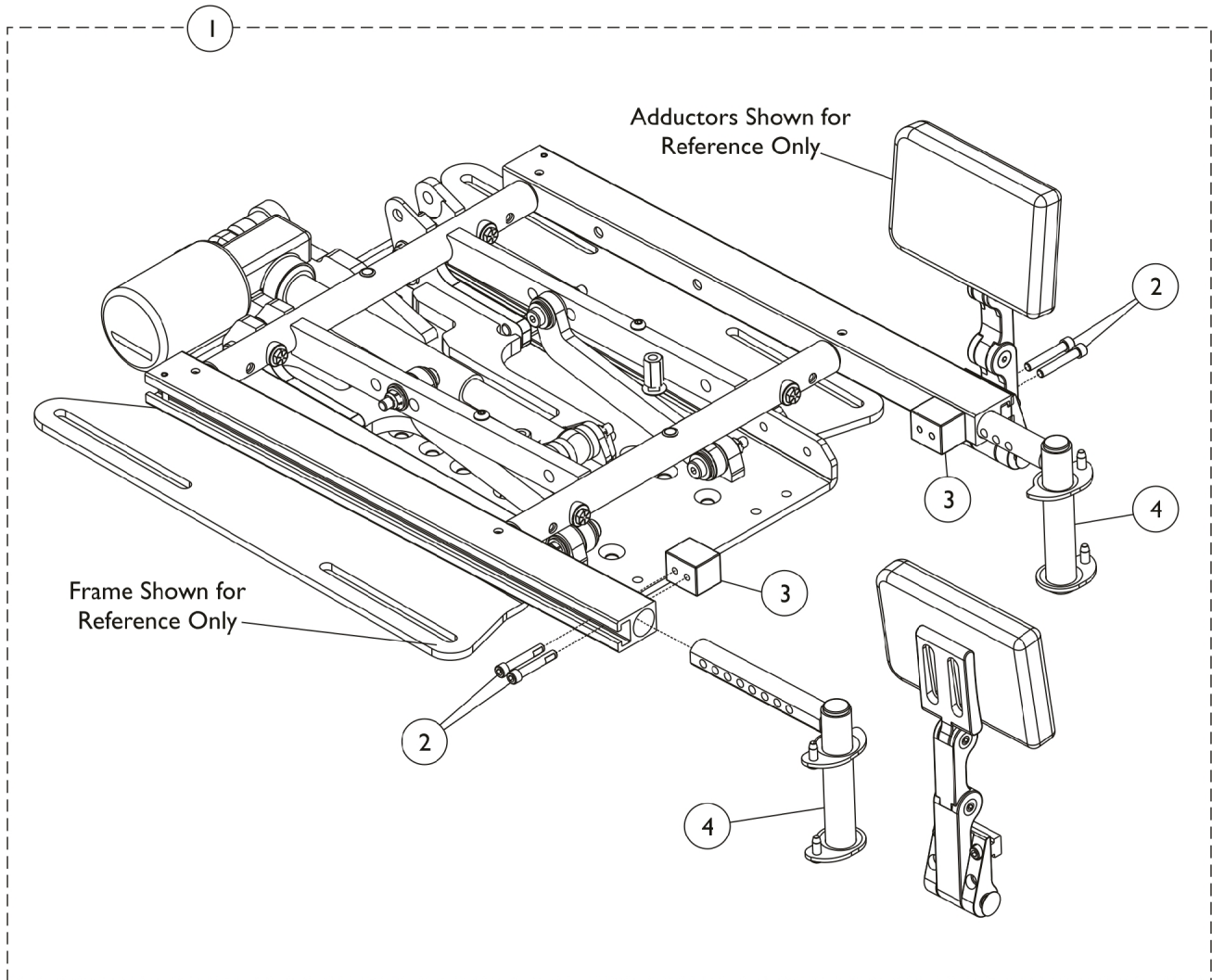


Adductors Mounting Hardware, CG Tilt/Elevate For 3G Storm

For replacement Adductors, see section titled, "Accessories-Adductors" within the Formula™CG Powered Seating Elevate CGE Tilt CGT/CGTE Recline CGR Tilt/Recline CGTR/CGTRE parts book.



Adductors Mounting Hardware, CG Tilt/Elevate For 3G Storm

For replacement Adductors, see section titled, "Accessories-Adductors" within the Formula™CG Powered Seating Elevate CGE Tilt CGT/CGTE Recline CGR Tilt/Recline CGTR/CGTRE parts book.

Item Number	Note	Part Number	Description	Quantity Per	
				Package	Assembly
1	A	1162439	NLA - Kit, Adductor Mounting Hardware, CG Tilt/Elevate for 3G Storm	1	1
2			Screw, Socket Head Cap w/ Patch (1/4-20 x 1-1/2")	1	4
3			Block, Threaded	1	2
4			Front Rigging Hanger Assembly w/ Plug Button, Pin Style, Adult, Black - Right	1	1
4			Front Rigging Hanger Assembly w/ Plug Button, Pin Style, Adult, Black - Left	1	1

NOTE: A - Includes items 2-4.