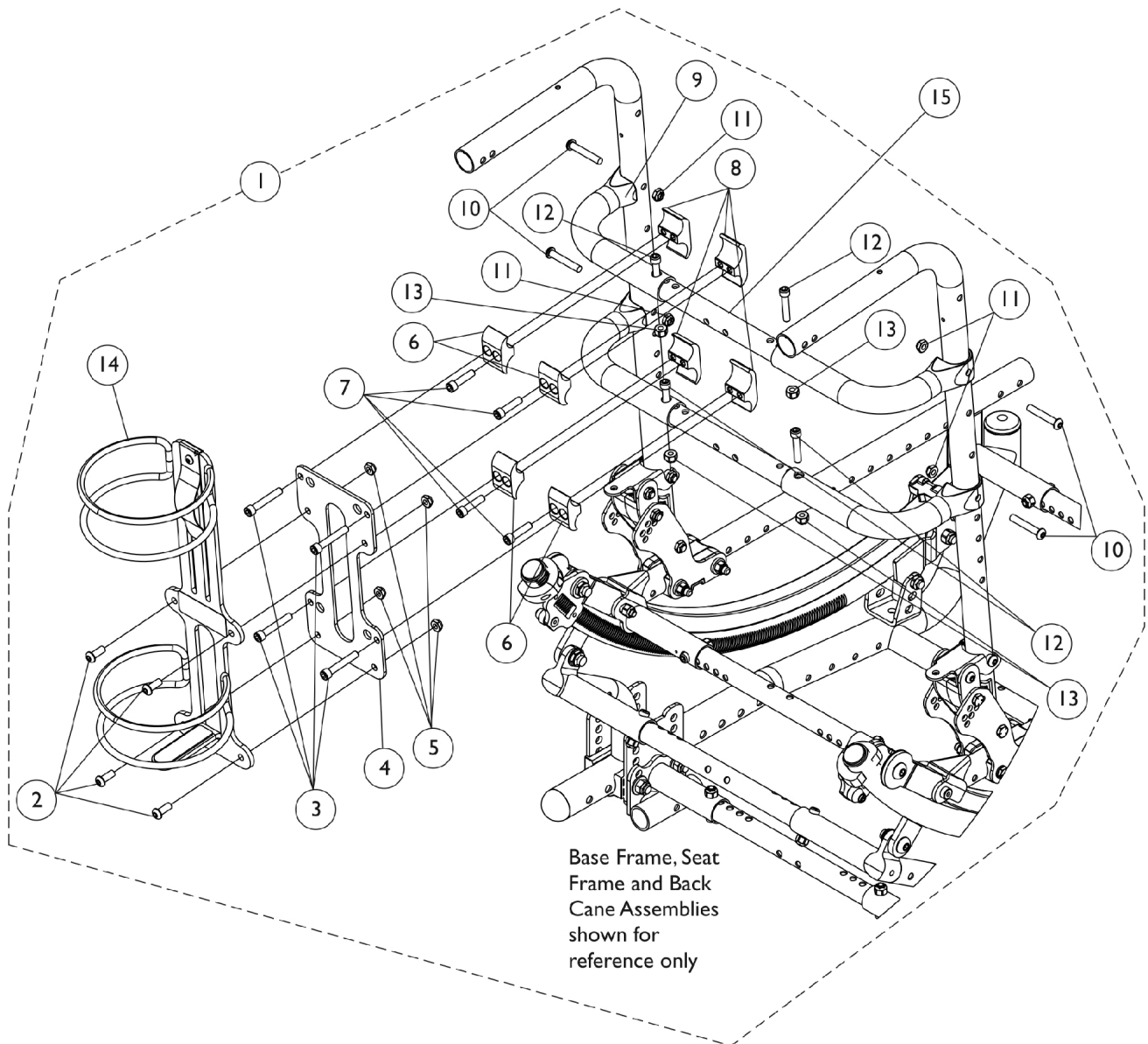


Oxygen Holder

Not available for the Heavy Duty (HDPG) package, Recliner w/ Upholstery (RECLINER), Recliner w/o Upholstery (RECLINEWU), 20" Back Height (BH20 and BH20B), or Adjustable Back Height (ABH1720).



Oxygen Holder

Not available for the Heavy Duty (HDPG) package, Recliner w/ Upholstery (RECLINER), Recliner w/o Upholstery (RECLINEWU), 20" Back Height (BH20 and BH20B), or Adjustable Back Height (ABH1720).

Item Number	Note	Part Number	Description	Quantity Per	
				Package	Assembly
1	A	1162852	Kit, Oxygen Holder	1	1
2			Screw, Socket Button Head (1/4-20 x 5/8")	1	4
3			Screw, Socket Head (1/4-20 x 1-1/2")	1	4
4			Bracket, Oxygen Holder, Black	1	1
5			Locknut (1/4-20)	1	4
6			Clamp, Half, Non-Threaded	1	4
7			Screw, Socket Head (1/4-20 x 1")	1	4
8			Clamp, Half, Threaded	1	4
9			Handle, Rigidizing Bar, Black - Right/Left	1	4
10			Screw, Socket Button Head (1/4-28 x 1-1/2")	1	4
11			Locknut (1/4-28)	1	4
12			Screw, Socket Head (1/4-28 x 1-1/4")	1	4
13			Locknut (1/4-28)	1	4
14			Holder, Oxygen	1	1
15		See Chart	#15 Crossbrace Tube	1	2

NOTE: A - Includes items 2-14. For chairs that do not currently have an Oxygen Holder, 2 Crossbrace Tubes for the Rigidizing Bar Handles must be purchased as well.

#15 Crossbrace Tube

NOTE: For chairs that do not currently have an Oxygen Holder, 2 Crossbrace Tubes for the Rigidizing Bar Handles must be purchased as well.

12 - 16" Wide	14 - 18" Wide	16 - 20" Wide	18 - 22" Wide	20 - 24" Wide
1129473	1129474	1129475	1129476	1159455
See Note(s) A	See Note(s) A	See Note(s) A	See Note(s) A	See Note(s) A

NOTE: A - For chairs that do not currently have an Oxygen Holder, 2 Crossbrace Tubes for the Rigidizing Bar Handles must be purchased as well.