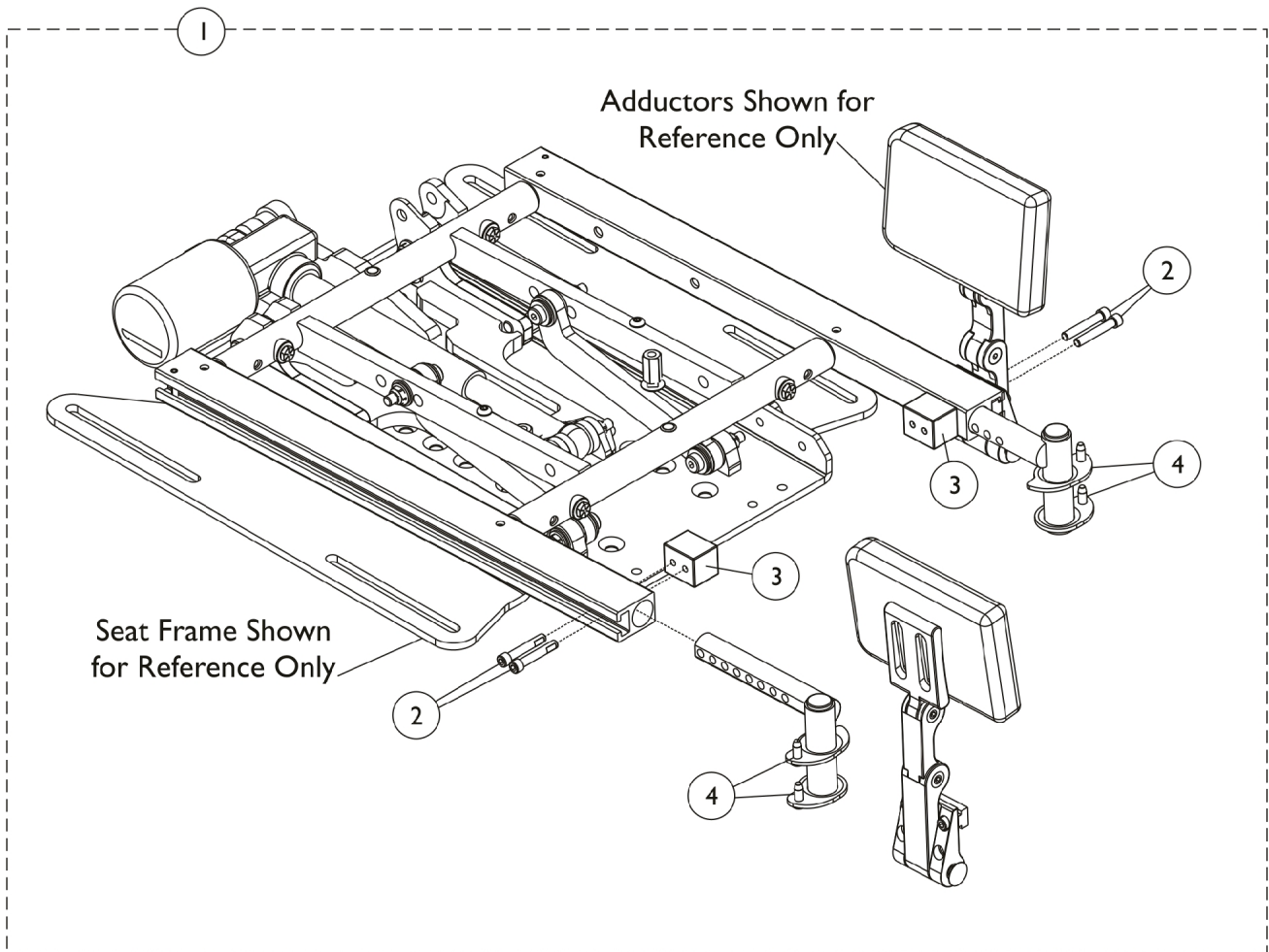


Adductors Mounting Hardware, CG Tilt/Elevate For TDXSP/SP-GT/SR

For replacement Adductors, see section titled, "Accessories-Adductors" within the Formula™CG Powered Seating Elevate CGE Tilt CGT/CGTE Recline CGR Tilt/Recline CGTR/CGTRE parts book.



Adductors Mounting Hardware, CG Tilt/Elevate For TDXSP/SP-GT/SR

For replacement Adductors, see section titled, "Accessories-Adductors" within the Formula™CG
Powered Seating Elevate CGE Tilt CGT/CGTE Recline CGR Tilt/Recline CGTR/CGTRE parts book.

| Item Number | Note | Part Number | Description | Quantity Per | |
|-------------|------|-------------|---------------------------------------------------------------------|--------------|----------|
| | | | | Package | Assembly |
| 1 | A | 1162438 | NLA - Kit, Adductor Mounting Hardware, CG Tilt/Elevate for TDXSP/SR | 1 | 1 |
| 2 | | | Screw, Socket Head Cap w/ Patch (1/4-20 x 1-1/2") | 1 | 4 |
| 3 | | | Block, Threaded | 1 | 2 |
| 4 | | | Front Rigging Hanger Assembly w/ Plug Button, Hemi, Black - Right | 1 | 1 |
| 4 | | | Front Rigging Hanger Assembly w/ Plug Button, Hemi, Black - Left | 1 | 1 |

NOTE: A - Includes items 2-4.