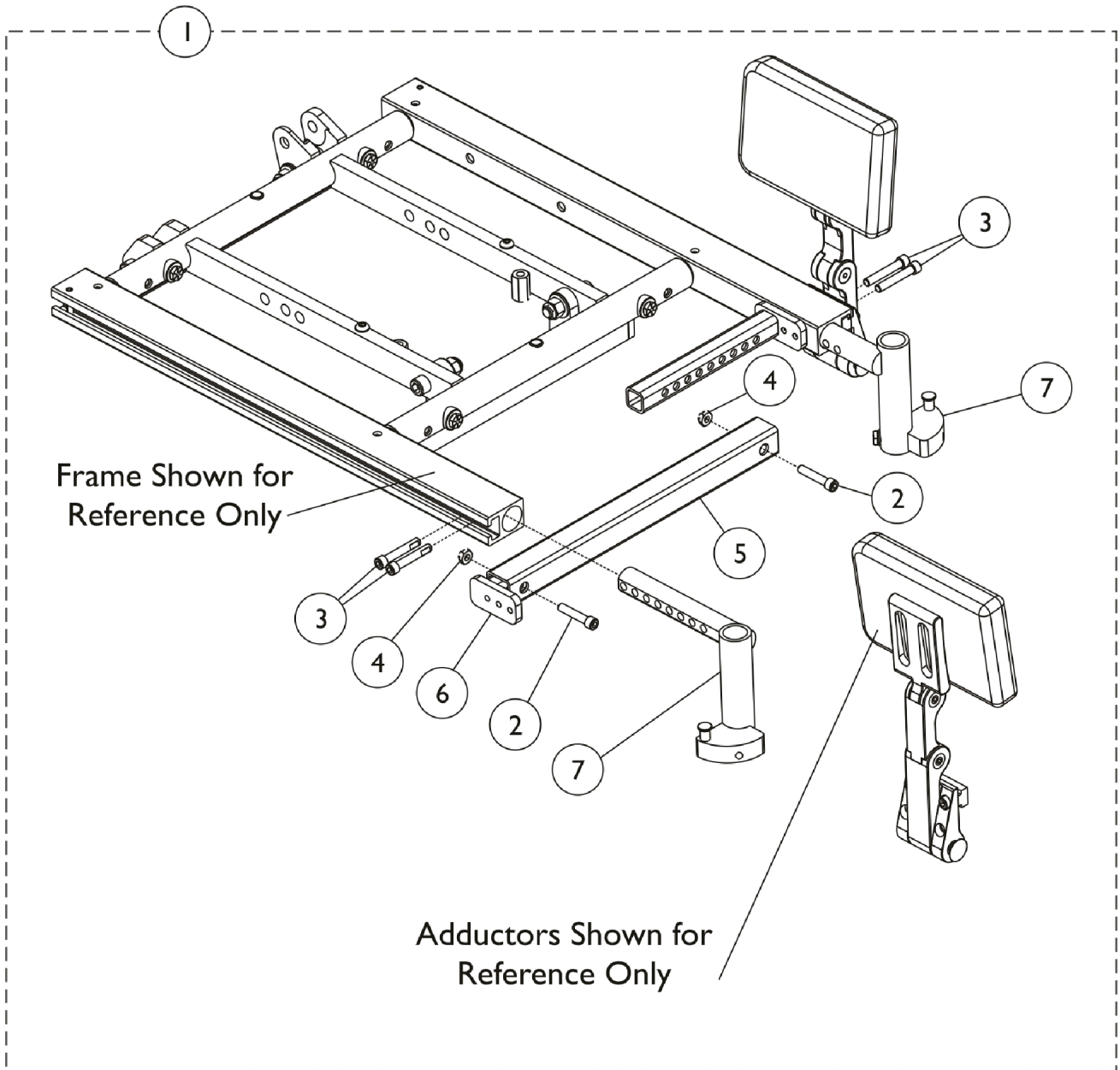


# Adductor Mounting Hardware, Tilt/Recline, Sector Style

For replacement Adductors, see section titled, "Accessories-Adductors" within the Formula™CG Powered Seating Elevate CGE Tilt CGT/CGTE Recline CGR Tilt/Recline CGTR/CGTRE parts book.



# Adductor Mounting Hardware, Tilt/Recline, Sector Style

For replacement Adductors, see section titled, "Accessories-Adductors" within the Formula™CG Powered Seating Elevate CGE Tilt CGT/CGTE Recline CGR Tilt/Recline CGTR/CGTRE parts book.

Item Number	Note	Part Number	Description	Quantity Per	
				Package	Assembly
1	A	1162437	Kit, Adductor Mounting Hardware, Tilt/Recline w/ Sector Front Riggings	1	1
2			Screw, Socket Head (1/4-20 x 1-1/4")	1	2
3			Screw, Socket Head Cap w/ Patch (1/4-20 x 1-1/2")	1	4
4			Locknut (1/4-20)	1	2
5			Crossmember, Front Center Seat Frame, Black	1	1
6			Support, Seat Pan (16-24" Wide)	1	2
7			Front Rigging Hanger Assembly w/ Sector Block, Black - Right	1	1
7			Front Rigging Hanger Assembly w/ Sector Block, Black - Left	1	1

NOTE: A - Includes items 2-7.