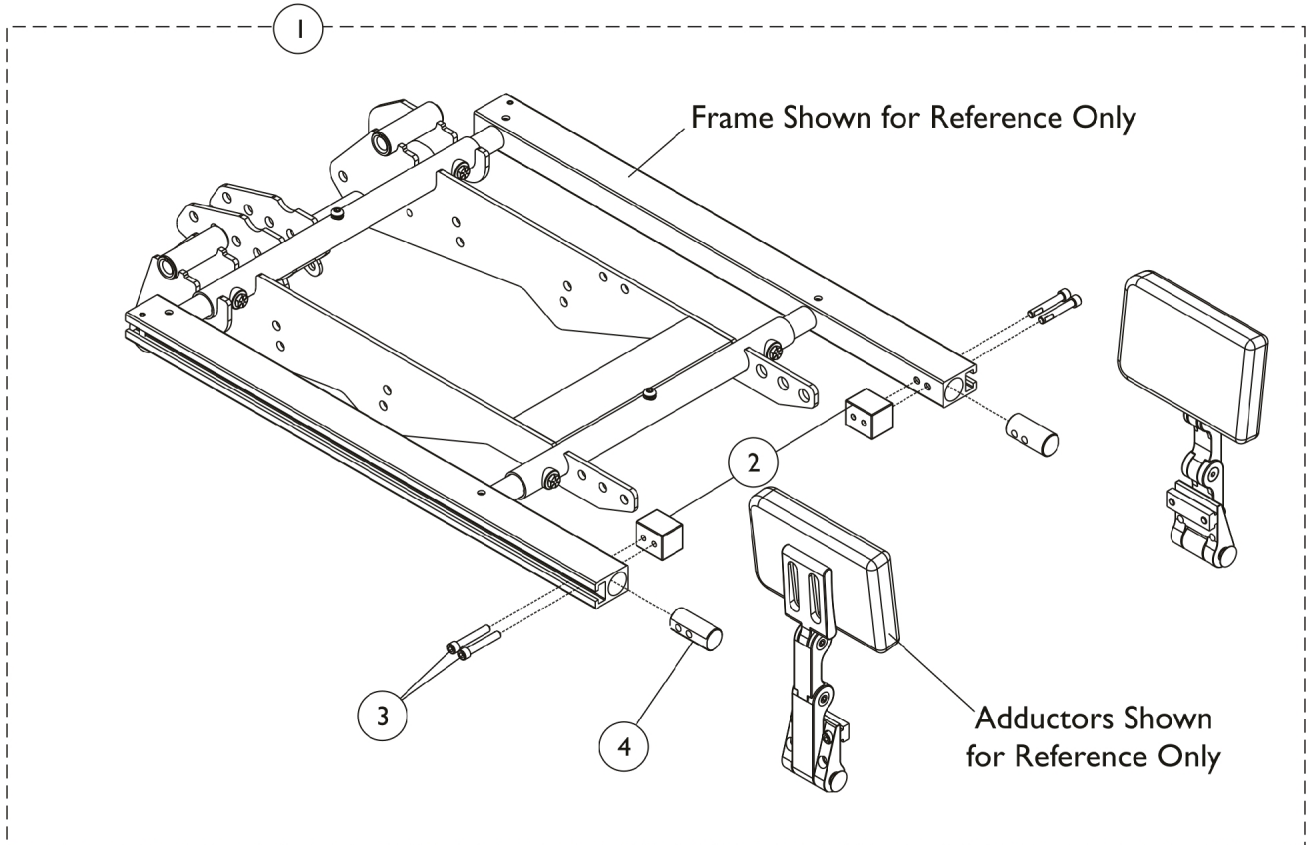


# Adductors & Hardware w/o Front Riggings



## Adductors & Hardware w/o Front Riggings

Item Number	Note	Part Number	Description	Quantity Per	
				Package	Assembly
1	A	1162432	Kit, Adductor Mounting Hardware w/o Front Riggings	1	1
2			Block, Threaded	1	2
3			Screw, Socket Head Cap w/ Patch (1/4-20 x 1-1/2")	1	4
4			Plug, Support	1	2

NOTE: A - Includes items 2-4.