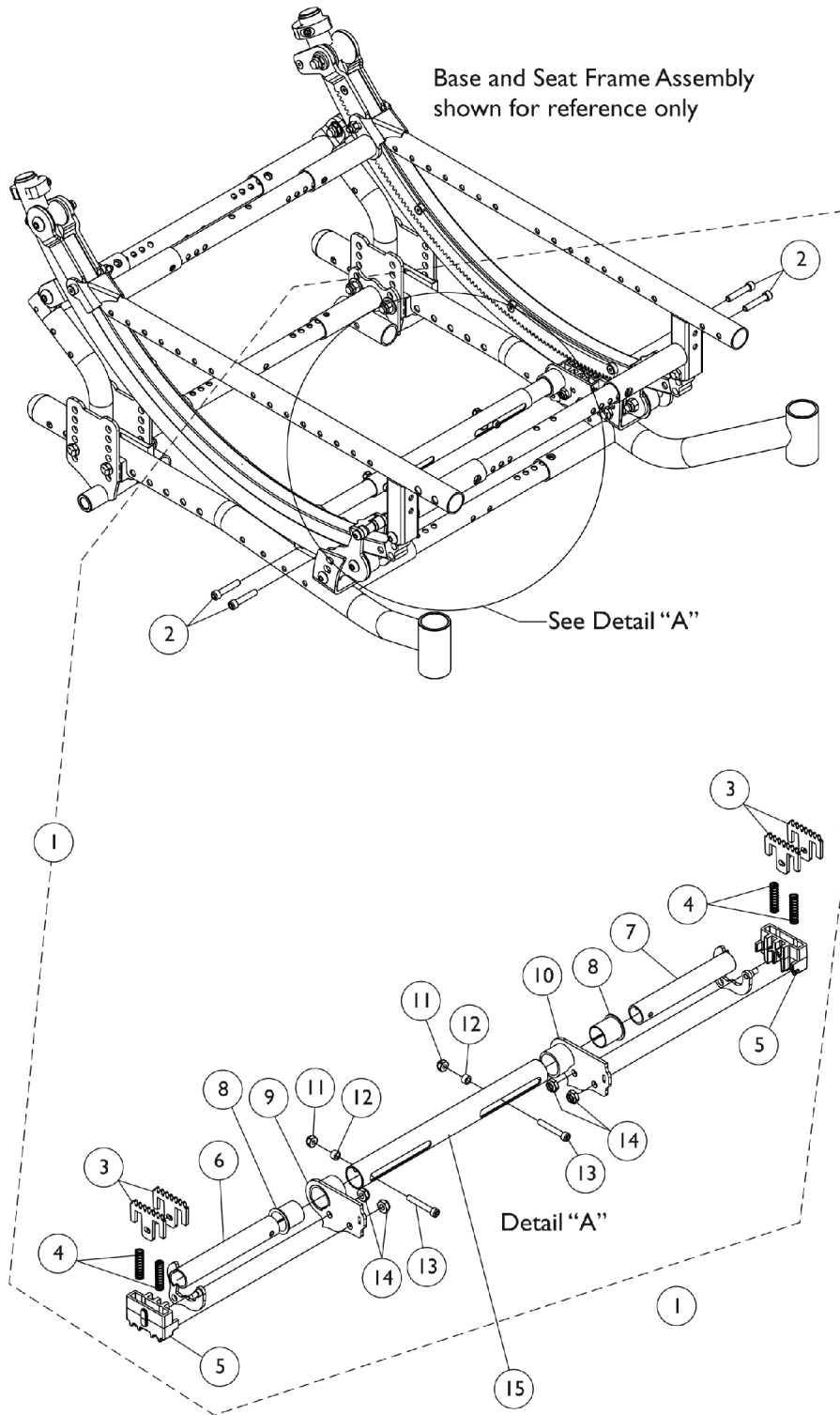


Tilt Hardware - Foot Tilt Assembly

If a chair is ordered as a Foot Release or a Hand Release, it CANNOT be retrofitted in the field to accept the other Tilting function. A new wheelchair must be ordered.



Tilt Hardware - Foot Tilt Assembly

If a chair is ordered as a Foot Release or a Hand Release, it CANNOT be retrofitted in the field to accept the other Tilting function. A new wheelchair must be ordered.

Item Number	Note	Part Number	Description	Quantity Per	
				Package	Assembly
1		1163623	Foot Tilt Assembly	1	1
2			Screw, Socket Head (1/4-28 x 1-1/4")	1	4
3			Gear, Sector, Chrome	1	4
4			Spring, Compression	1	4
5			Housing, Sector Gear	1	2
6			Tube, Actuator, Black - Right	1	1
7			Tube, Actuator, Black - Left	1	1
8			Bushing, Pivot	1	2
9			Plate, Cover, Black - Right	1	1
10			Plate, Cover, Black - Left	1	1
11			Locknut (10-32)	1	2
12			Spacer, Nylon (3/16 x 5/16 x 5/16")	1	2
13			NLA - Screw, Socket Head (#10-32 x 1-1/4")	1	2
14			Locknut (1/4-28)	1	4
15		See Chart	Foot Tilt Crossbrace Tube	1	1

#15 Foot Tilt Crossbrace Tube

Seat Width Range	Part Number
12" - 16" Wide	1161769
14" - 18" Wide	1161770
16" - 20" Wide	1161771
18" - 22" Wide	1161772
20" - 24" Wide	1161773