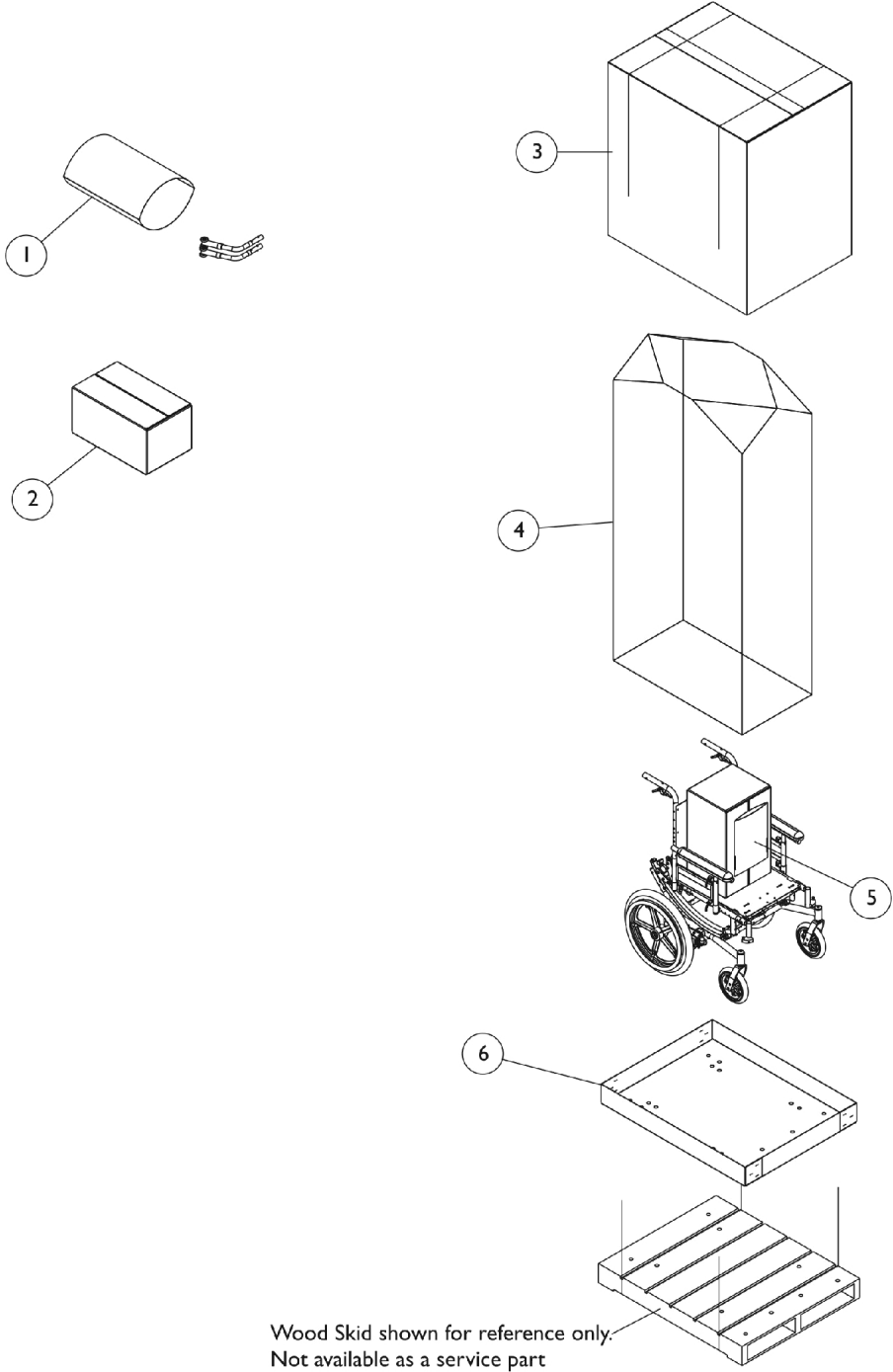


# Packaging, Literature, and Decals



Wood Skid shown for reference only.  
Not available as a service part

## Packaging, Literature, and Decals

Item Number	Note	Part Number	Description	Quantity Per	
				Package	Assembly
1		1021866-NLA	NLA - Bag, Poly (26" L x 15" W)	1	1
2		40131X011-NLA	NLA - Carton, Front Riggings	1	1
3		1030364	Carton, Cover	1	1
4		1015592	Bag, Poly (72" L x 35" W x 19" D)	1	1
5	A	1163625	Kit, Literature, Solara 3G and Spree 3G	1	1
		1154295	Owner's Manual, Solara 3G and Spree 3G	1	1
6		1030362	Carton, Tray	1	1
	B,E,F	1042798-NLA	NLA - Instruction Sheet, Ratchet Kit	1	1
	B	1095497	Decal, Invacare Logo (1.6)	1	2
	B	1163178	Decal, Model, Solara 3G	1	2
	B	1163173	Decal, Model, Spree 3G	1	2
	B,C	1162951	Kit, Decals, Solara 3G and Spree 3G	1	1
	B,D	1083199-NLA	NLA - Label, Hook Tie-Down	1	4
<p>NOTE: A - Includes Owner's Manual, Warranty Card, and Hook and Loop Fasteners            B - Not Shown            C - Includes 2 ea. Wheel Position, 1 ea. Patent, and 4 ea. Warning Decals.            D - TRRO wheelchairs only            E - Instruction Sheet can also be found on page titled "Legrest Calf Pads and Ratchet Assemblies"            F - Item is no longer available from the Invacare Service Parts Department. Refer to the Invacare Website under "Product Literature Search". Enter the part number in the "Keywords" field and download a free PDF version copy.</p>					
<p>When adjusting or replacing parts please refer to your Owner's Manual for assistance.</p>					