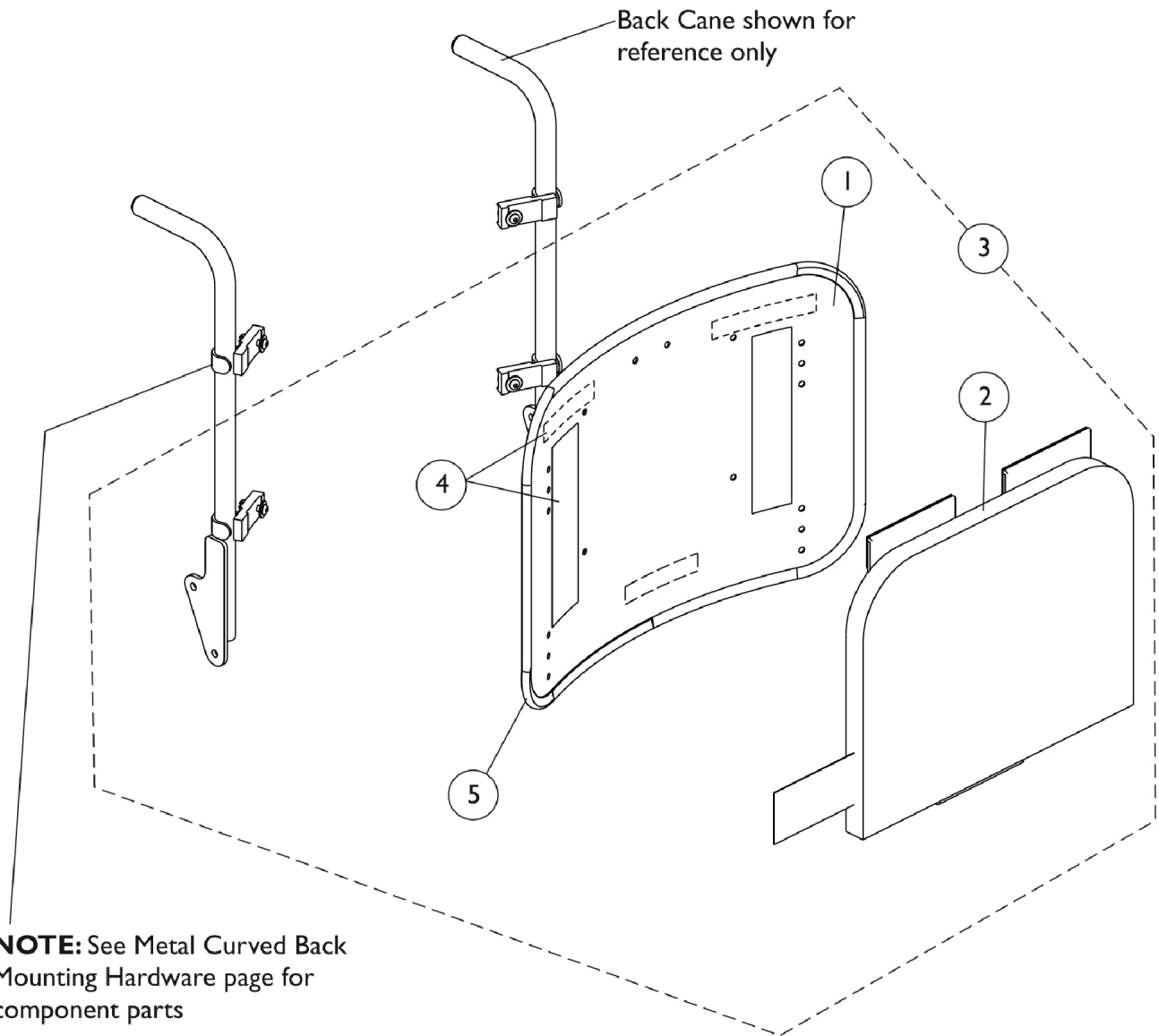


# Metal Curved Back Assembly (16-24" Wide)

NOTE: Curved Back mounts only to back canes without a 10 degree bend.



**NOTE:** See Metal Curved Back Mounting Hardware page for component parts

# Metal Curved Back Assembly (16-24" Wide)

NOTE: Curved Back mounts only to back canes without a 10 degree bend.

Item Number	Note	Part Number	Description	Quantity Per	
				Package	Assembly
1		See Chart	#1 Back Pan w/ Vinyl Edge Trim 16"-18" Wide	1	1
1		See Chart	#1 Back Pan w/ Vinyl Edge Trim 19"-22" Wide	1	1
1		See Chart	#1 Back Pan w/ Vinyl Edge Trim 23"-24" Wide	1	1
2		See Chart	#2 Back Cushion Assembly 16"-18" Wide	1	1
2		See Chart	#2 Back Cushion Assembly 19"-22" Wide	1	1
2		See Chart	#2 Back Cushion Assembly 23"-24" Wide	1	1
3		See Chart	#3 Back Assembly with Hardware 16"-18" Wide	1	1
3		See Chart	#3 Back Assembly with Hardware 19"-22" Wide	1	1
3		See Chart	#3 Back Assembly with Hardware 23"-24" Wide	1	1
4	A	1125723	Kit, Hook Fastener w/ Adhesive Back	1	1
5		1125724-NLA	NLA - Trim, Edge, Cut-To-Length, Vinyl Black (96" L)	1	1

NOTE: A - Hook Fastener Adhesive Kit is used to attach the Back Cover to the Back Pan and must be ordered when a new Back Pan or Back Assembly is requested.

## #1 Back Pan w/ Vinyl Edge Trim - 16"-18" Wide

Overall Back Height	Material Back Height	16" Wide	17" Wide	18" Wide
16"	11"	1157826	1157837	1157848
17"	12"	1157827	1157838	1157849
18"	13"	1157828	1157839	1157850
19"	14"	1157829	1157840	1157851
20"	15"	1157830	1157841	1157852
21"	16"	1157831	1157842	1157853
22"	17"	1157832	1157843	1157854
23"	18"	1157833	1157844	1157855
24"	19"	1157834	1157845	1157856
25"	20"	1157835	1157846	1157857
26"	21"	1157836	1157847	1157858

NOTE: Hook Fastener Adhesive Kit must be ordered when a Back Pan or Back Assembly is requested. This will allow the Loop Fastener Adhesive on the Back Cover to attach properly.

# Metal Curved Back Assembly (16-24" Wide)

NOTE: Curved Back mounts only to back canes without a 10 degree bend.

## #1 Back Pan w/ Vinyl Edge Trim - 19"-22" Wide

Overall Back Height	Material Back Height	19" Wide	20" Wide	21" Wide	22" Wide
16"	11"	1157859	1157870	1157881	1157892
17"	12"	1157860	1157871	1157882	1157893
18"	13"	1157861	1157872	1157883	1157894
19"	14"	1157862	1157873	1157884	1157895
20"	15"	1157863	1157874	1157885	1157896
21"	16"	1157864	1157875	1157886	1157897
22"	17"	1157865	1157876	1157887	1157898
23"	18"	1157866	1157877	1157888	1157899
24"	19"	1157867	1157878	1157889	1157900
25"	20"	1157868	1157879	1157890	1157901
26"	21"	1157869	1157880	1157891	1157902

NOTE: Hook Fastener Adhesive Kit must be ordered when a Back Pan or Back Assembly is requested. This will allow the Loop Fastener Adhesive on the Back Cover to attach properly.

# Metal Curved Back Assembly (16-24" Wide)

NOTE: Curved Back mounts only to back canes without a 10 degree bend.

## #1 Back Pan w/ Vinyl Edge Trim - 23"-24" Wide

Overall Back Height	Material Back Height	23" Wide	24" Wide
16"	11"	1157903	1157914
17"	12"	1157904	1157915
18"	13"	1157905	1157916
19"	14"	1157906	1157917
20"	15"	1157907	1157918
21"	16"	1157908	1157919
22"	17"	1157909	1157920
23"	18"	1157910	1157921
24"	19"	1157911	1157922
25"	20"	1157912	1157923
26"	21"	1157913	1157924

NOTE: Hook Fastener Adhesive Kit must be ordered when a Back Pan or Back Assembly is requested. This will allow the Loop Fastener Adhesive on the Back Cover to attach properly.

# Metal Curved Back Assembly (16-24" Wide)

NOTE: Curved Back mounts only to back canes without a 10 degree bend.

## #2 Back Cushion Assembly - 16"-18" Wide

Overall Back Height	Material Back Height	16" Wide	17" Wide	18" Wide
16"	12-1/2"	1160207	1160218	1160229
17"	13-1/2"	1160208	1160219	1160230
18"	14-1/2"	1160209	1160220	1160231
19"	15-1/2"	1160210	1160221	1160232
20"	16-1/2"	1160211	1160222	1160233
21"	17-1/2"	1160212	1160223	1160234
22"	18-1/2"	1160213	1160224	1160235
23"	19-1/2"	1160214	1160225	1160236
24"	20-1/2"	1160215	1160226	1160237
25"	21-1/2"	1160216	1160227	1160238
26"	22-1/2"	1160217	1160228	1160239

NOTE: Back cover and foam are sold as a Back Cushion Assembly only.

## Metal Curved Back Assembly (16-24" Wide)

NOTE: Curved Back mounts only to back canes without a 10 degree bend.

### #2 Back Cushion Assembly - 19"-22" Wide

Overall Back Height	Material Back Height	19" Wide	20" Wide	21" Wide	22" Wide
16"	12-1/2"	1097378-NLA	1097379-NLA	1097380-NLA	1097381-NLA
17"	13-1/2"	1097385-NLA	1097386-NLA	1097387-NLA	1097388-NLA
18"	14-1/2"	1097392	1097393	1097394-NLA	1097395-NLA
19"	15-1/2"	1097399	1097400	1097401	1097402
20"	16-1/2"	1097406	1097407	1097408	1097409
21"	17-1/2"	1097413	1097414	1097415	1097416
22"	18-1/2"	1097420	1097421	1097422	1097423
23"	19-1/2"	1097427	1097428	1097429	1097430
24"	20-1/2"	1097434	1097435	1097436	1097437
25"	21-1/2"	1160249	1160260	1160271	1160282
26"	22-1/2"	1160250	1160261	1160272	1160283

NOTE: Back cover and foam are sold as a Back Cushion Assembly only.

# Metal Curved Back Assembly (16-24" Wide)

NOTE: Curved Back mounts only to back canes without a 10 degree bend.

## #2 Back Cushion Assembly - 23"-24" Wide

Overall Back Height	Material Back Height	23" Wide	24" Wide
16"	12-1/2"	1160284	1160295
17"	13-1/2"	1160285	1160296
18"	14-1/2"	1160286	1160297
19"	15-1/2"	1160287	1160298
20"	16-1/2"	1160288	1160299
21"	17-1/2"	1160289	1160300
22"	18-1/2"	1160290	1160301
23"	19-1/2"	1160291	1160302
24"	20-1/2"	1160292	1160303
25"	21-1/2"	1160293-NLA	1160304
26"	22-1/2"	1160294	1160305

NOTE: Back cover and foam are sold as a Back Cushion Assembly only.

# Metal Curved Back Assembly (16-24" Wide)

NOTE: Curved Back mounts only to back canes without a 10 degree bend.

## #3 Back Assembly with Hardware - 16"-18" Wide

Overall Back Height	Material Back Height ABS Plastic Curved	Material Back Height Metal Curved	16" Wide	17" Wide	18" Wide
16"	12"	11"	1106973-NLA	1106983	1106993
17"	13"	12"	1106974	1106984	1106994
18"	14"	13"	1106975	1106985	1106995
19"	15"	14"	1106976	1106986	1106996
20"	16"	15"	1106977	1106987	1106997
21"	17"	16"	1106978	1106988	1106998
22"	18"	17"	1106979	1106989	1106999
23"	19"	18"	1106980	1106990	1107000
24"	20"	19"	1106981	1106991	1107001
25"	21"	20"	1160306	1160308	1160310
26"	22"	21"	1160307	1160309	1160311

NOTE: Hook Fastener Adhesive Kit must be ordered when a Back Pan or Back Assembly is requested. This will allow the Loop Fastener Adhesive on the Back Cover to attach properly.



# Metal Curved Back Assembly (16-24" Wide)

NOTE: Curved Back mounts only to back canes without a 10 degree bend.

## #3 Back Assembly with Hardware - 19"-22" Wide

Overall Back Height	Material Back Height ABS Plastic Curved	Material Back Height Metal Curved	19" Wide	20" Wide	21" Wide	22" Wide
16"	12"	11"	1107003	1107013	1107023	1107033
17"	13"	12"	1107004	1107014	1107024	1107034
18"	14"	13"	1107005	1107015	1107025	1107035
19"	15"	14"	1107006	1107016	1107026	1107036
20"	16"	15"	1107007	1107017	1107027	1107042-NLA
21"	17"	16"	1107008	1107018	1107028	1107043
22"	18"	17"	1107009	1107019	1107029	1107044
23"	19"	18"	1107010	1107020	1107030	1107045
24"	20"	19"	1107011	1107021	1107031	1107046
25"	21"	20"	1160312	1160314	1160316	1160318
26"	22"	21"	1160313	1160315	1160317	1160319

NOTE: Hook Fastener Adhesive Kit must be ordered when a Back Pan or Back Assembly is requested. This will allow the Loop Fastener Adhesive on the Back Cover to attach properly.

# Metal Curved Back Assembly (16-24" Wide)

NOTE: Curved Back mounts only to back canes without a 10 degree bend.

## #3 Back Assembly with Hardware - 23"-24" Wide

Overall Back Height	Material Back Height ABS Plastic Curved	Material Back Height Metal Curved	23" Wide	24" Wide
16"	12"	11"	1146430	1146434
17"	13"	12"	1146431	1146435
18"	14"	13"	1146432	1146436
19"	15"	14"	1144746	1144753
20"	16"	15"	1144747	1144754
21"	17"	16"	1144748	1144755
22"	18"	17"	1144749	1144756
23"	19"	18"	1144750	1144757
24"	20"	19"	1144751	1144758
25"	21"	20"	1144752	1144759
26"	22"	21"	1160320	1160321

NOTE: Hook Fastener Adhesive Kit must be ordered when a Back Pan or Back Assembly is requested. This will allow the Loop Fastener Adhesive on the Back Cover to attach properly.