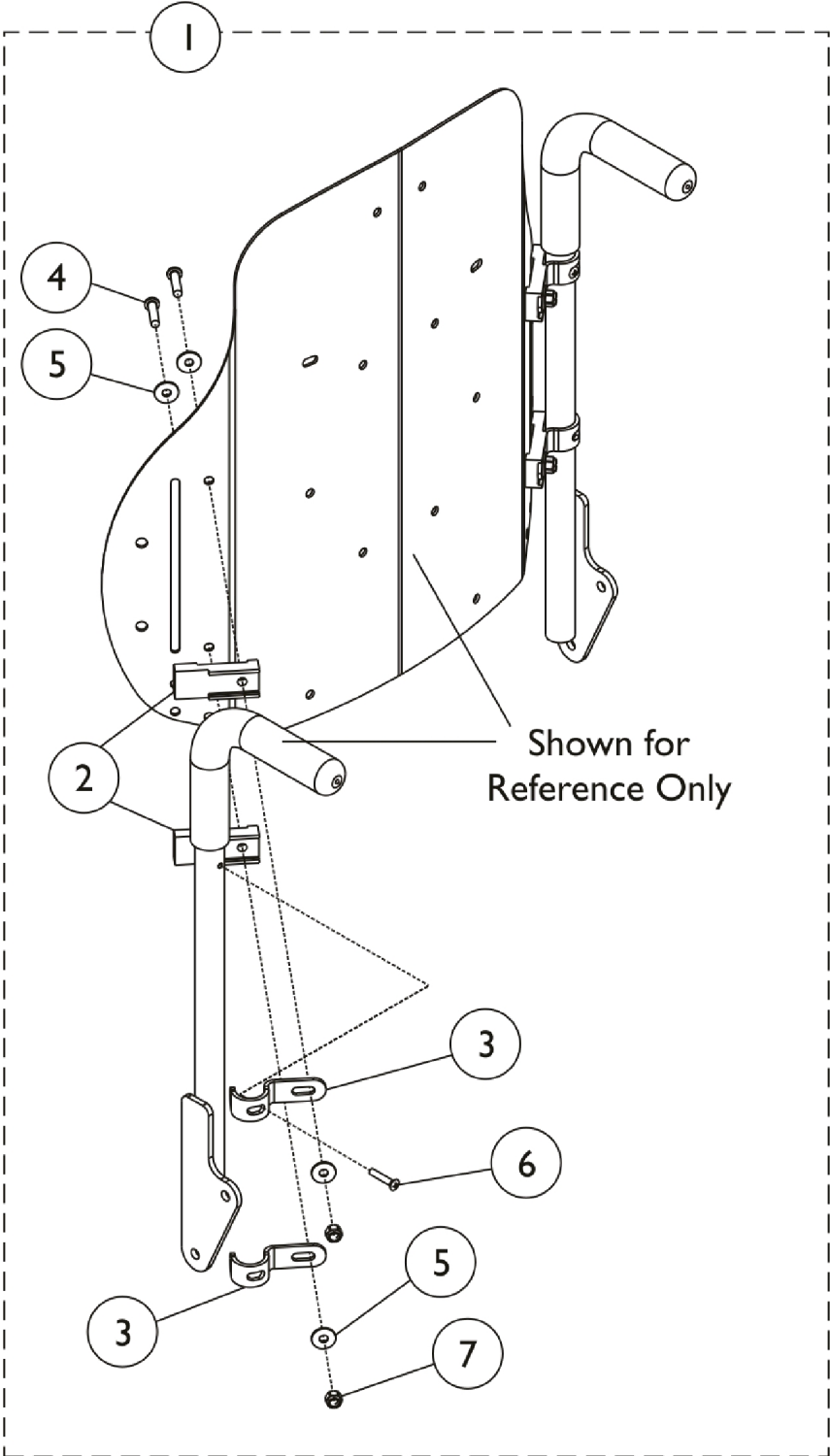


Curve Contoura Mounting Back Hardware - After 5/14/09



Curve Contoura Mounting Back Hardware - After 5/14/09

| Item Number | Note | Part Number | Description | Quantity Per | |
|-------------|------|-------------|-------------------------------------------------------------|--------------|----------|
| | | | | Package | Assembly |
| 1 | A | 1157925 | Kit, Metal Curved and Curve Contoura Back Mounting Hardware | 1 | 1 |
| 2 | | | Spacer, Back Pan, Black | 1 | 4 |
| 3 | | | Hook, Back Assembly Mounting | 1 | 4 |
| 4 | | | Screw, Socket Button Head (1/4-20 x 1") | 1 | 4 |
| 5 | | | Washer (1/4 x 23/32 x 1/16") | 1 | 8 |
| 6 | | | NLA - Screw, Phillips Oval Head (#10-16 x 7/8") | 1 | 2 |
| 7 | | | Locknut (1/4-20) | 1 | 4 |

NOTE: A - Includes Items 2 thru 7.