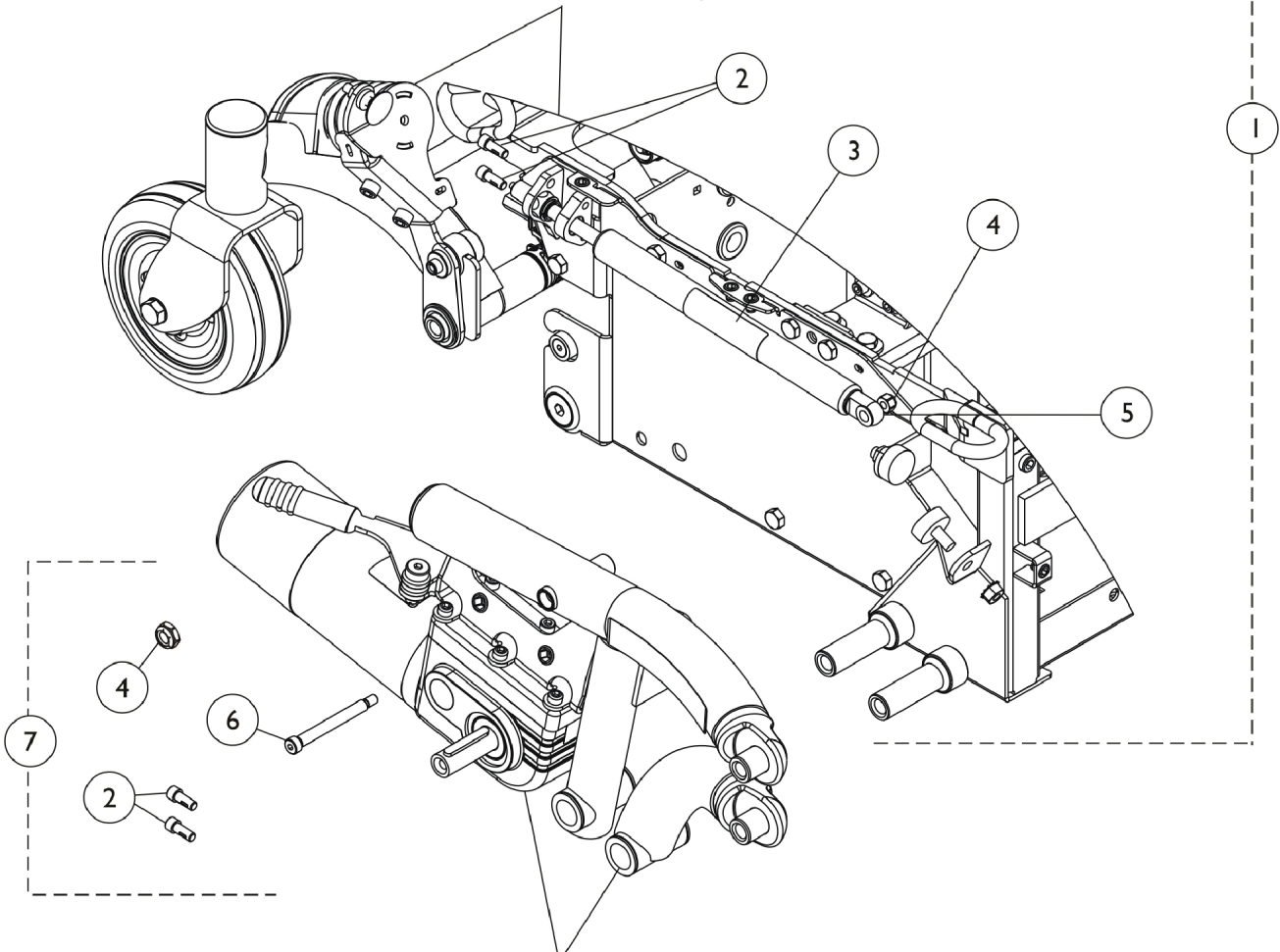


Locking Cylinder

Battery Box Assembly and
Rear Pivot Assembly
Shown for Reference Only



Motor Assembly and Walking Beam
Shown for Reference Only

Locking Cylinder

Item Number	Note	Part Number	Description	Quantity Per	
				Package	Assembly
1	A	1163238	Kit, Locking Cylinder (Pair)	1	1
2			Screw, Socket Head (1/4-20 x 5/8")	1	4
3			Locking Cylinder w/Pivot Assembly	1	2
4			Locknut (1/4-20)	1	2
5			Washer, Nylon (11/32 x 11/16 x 1/16")	1	2
6			Instruction Sheet, Locking Cylinder	1	1
7	B	1151609	Kit, Locking Cylinder Mounting Hardware	1	1
2			Screw, Socket Head (1/4-20 x 5/8")	1	2
4			Locknut (1/4-20)	1	1
6			Screw, Shoulder Hex Socket Head (5/16" x 2-1/2", 1/4-20)	1	1

NOTE: A - Includes items 2-5 and instruction sheet. Kit includes Locking Cylinders and hardware for the right and left side.
 B - Includes items 2, 4 and 6.