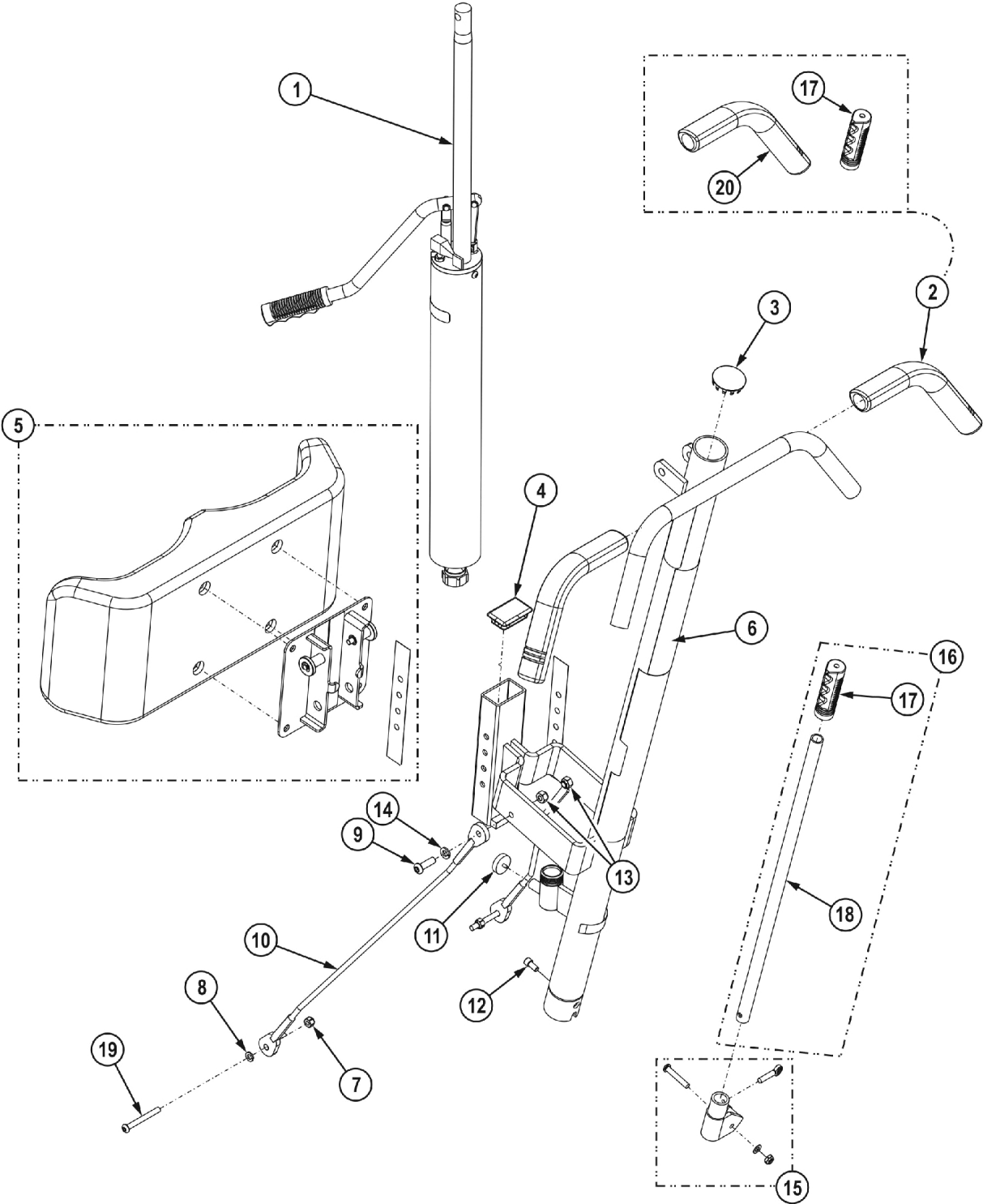


Mast Assembly - Get-U-Up - GHS350



Mast Assembly - Get-U-Up - GHS350

Item Number	Note	Part Number	Description	Quantity Per	
				Package	Assembly
1		9099P	Pump, Hydraulic	1	1
2	A	1123444	Kit, Handgrip	1	1
17			NLA - Grip, Handle - 9805	1	1
20			Grip, Hand - 9805	2	1
3	B	1123442-NLA	NLA - Kit, Plugs and Caps	1	1
			NLA - Plug Button, Metal, Chrome (1-3/4")	1	2
			NLA - Cap, Mast	1	1
			Cap, End, Grey (2 x 2-1/2")	1	2
4		1065360	Cap, End, Black (1-1/4 x 2")	1	1
5		1152593	Kit, Knee Pad with Mounting Assembly	1	1
			Mounting Assembly	1	1
			Pad, Knee	1	1
			Tape	1	2
6		1152595	Kit, Mast	1	1
			Mast	1	1
			Decal, Warning	1	1
			Label, Lift Patient Operation	1	1
			Decal, Get-U-Up	1	1
7		0054906	Locknut, High Profile (5/16-18)	1	2
8		1072692-NLA	NLA - Lockwasher, Split (5/16")	1	2
9		1163423	Screw, Socket Button Head (5/16-18 x 1")	1	2
10		1148210	Cable, Eyelet	1	2
11		1148213	Stopper, Rubber	1	1
12		60284X001	Screw, Socket Head (1/4-20 x 1/2")	1	1
13		0054906	Locknut, High Profile (5/16-18)	1	2
14		1072692-NLA	NLA - Lockwasher, Split (5/16")	1	2
15	C	1140731	Kit, Camlock w/ Hardware	1	1
			Cam, Lock	1	1
			NLA - Bushing (5/8 x 1-1/8 x 5/16")	1	1
			NLA - Screw, Socket Button Head (1/4-20 x 1-7/16")	1	1
			NLA - Washer, Flat (1/4 x 1/2 x 1/16")	1	1
			Locknut (1/4-20)	1	1
			NLA - Screw, Thumb (1/4-20 x 1")	1	1
			NLA - Instruction Sheet	1	1
16		1140730	Kit, Shifter	1	1
17			NLA - Grip, Handle - 9805	1	1
18			Handle, Shifter - 9805	1	1
19		1036840	Screw, Socket Button Head (1/4-20X2-1/4")	1	2
	D	10369X000-NLA	NLA - Wrench, Allen (3/16")	1	1

NOTE: A - Kit includes item 17 and 20.
 B - Includes (2) Plug Buttons, (2) leg end caps and (1) Mast Cap. See category titled, "Base Assembly - Get - U - Up - GHS350" for Leg end caps. Only (1) Plug Button is used for this model. Single mast cap not used on this model and may be discarded.
 C - Parts marked "NLA" within this Kit are not available for individual sale. The complete kit must be ordered to receive all individual parts listed.
 D - Not Shown.