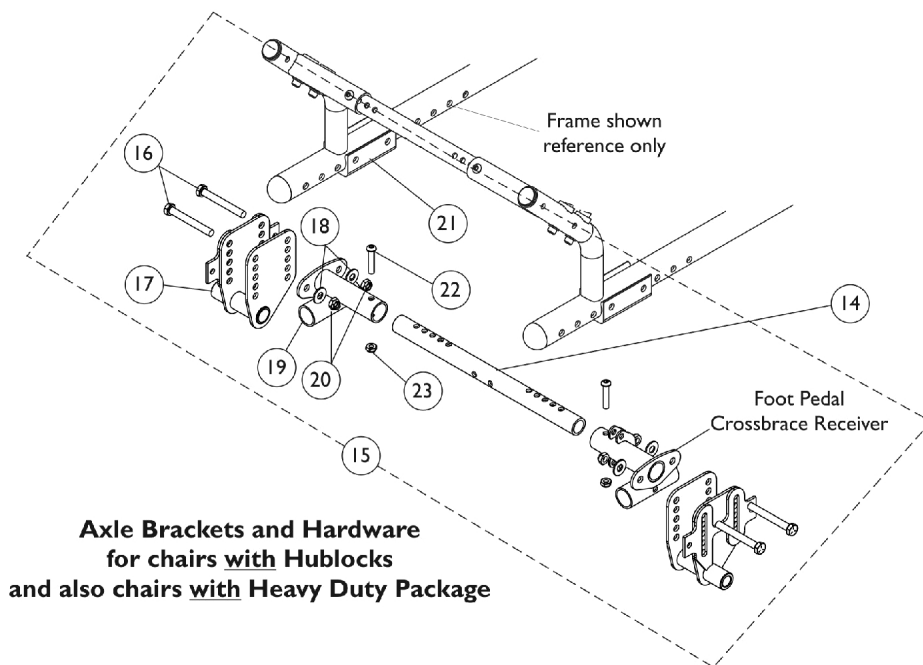
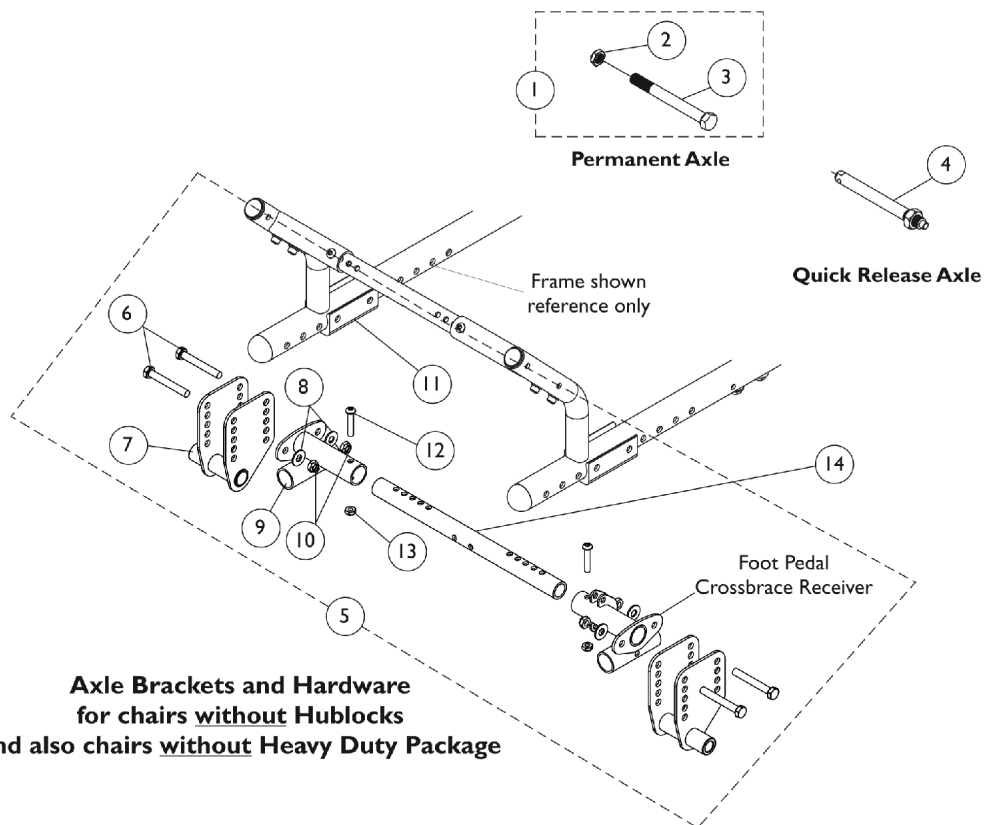


# Axles, Axle Mounting Plates, and Hardware

## Chairs w/o Vent Tray, 12/20/22/24" Wheels & Tilt Foot Pedal Release



## Axles, Axle Mounting Plates, and Hardware

### Chairs w/o Vent Tray, 12/20/22/24" Wheels & Tilt Foot Pedal Release

Item Number	Note	Part Number	Description	Quantity Per	
				Package	Assembly
1		1127817	Kit, Axle with Locknut	1	1
2			Locknut (1/2-20)	1	2
3			NLA - Screw, Hex Head (1/2-20 x 6")	1	2
4		1040361	Axle, Quick Release w/ Locknut (1/2" x 5")	1	1
5	A,B	1162211-NLA	NLA - Kit, Axle Brackets with Hardware, Black	1	1
6			Screw, Hex Head (5/16-24 x 2-1/4")	1	4
7			NLA - Bracket, Axle, Black - Right	1	1
7			NLA - Bracket, Axle, Black - Left	1	1
8			Washer, Steel (5/16 x 3/4 x 1/16")	1	4
9			Bracket, Lower Crossbrace Receiver, Black	1	1
9			Bracket, Foot Pedal Crossbrace Receiver, Black	1	1
10			Locknut (5/16-24)	1	4
11			Bracket, Axle Spacer, Black	1	2
12			Screw, Socket Button Head (1/4-28 x 1-1/4")	1	2
13			Locknut (1/4-28)	1	2
14	C	See Chart	#14 Kit, Crossbraces with Hardware	1	1
15	D,E	1162210-NLA	NLA - Kit, Axle Brackets and Hardware, Black	1	1
16			Screw, Hex Head (5/16-24 x 2-1/4")	1	4
17			Bracket, Axle, Black - Right	1	1
17			Bracket, Axle, Black - Left	1	1
18			Washer, Steel (5/16 x 3/4 x 1/16")	1	4
19			Bracket, Lower Crossbrace Receiver, Black	1	1
20			Bracket, Foot Pedal Crossbrace Receiver, Black	1	1
20			Locknut (5/16-24)	1	4
21			Bracket, Axle Spacer, Black	1	2
22			Screw, Socket Button Head (1/4-28 x 1-1/4")	1	2
23			Locknut (1/4-28)	1	2

NOTE: A - Chairs without Hublocks and Heavy Duty Package  
B - Includes items 6-13, contains enough parts for right and left frames  
C - Kit includes 5 ea. Crossbraces and all attaching hdwr. 1 crossbrace is required for Axle Mounting Hdwr., 3 crossbraces are req'd for Base/Seat Frames, and 1 crossbrace is req'd for Tilt Hdwr.  
D - Chairs with Hublocks and/or Heavy Duty Package  
E - Includes items 16-23, contains enough parts for right and left frames

**Axles, Axle Mounting Plates, and Hardware**  
**Chairs w/o Vent Tray, 12/20/22/24" Wheels & Tilt Foot Pedal Release**  
**#14 Kit, Crossbraces with Hardware**

Seat Width Range 12-16"	Seat Width Range 14-18"	Seat Width Range 16-20"	Seat Width Range 18-22"	Quantity
1127700-NLA See Note(s) A	1127701-NLA See Note(s) A	1127702-NLA See Note(s) A	1127703-NLA See Note(s) A, B	1
N/A	N/A	N/A	1164095	1
N/A	N/A	N/A	1025765	14
N/A	N/A	N/A	1055309	10
N/A	N/A	N/A	1083099	4
NOTE: A - As of 8/9/07, the finish changed from black anodize to flat black. B - See part #'s listed below part #1127703 and order together 1 ea. 1164095 Kit, Crossbrace Tubes, 14 ea. 1025765 Locknuts (1/4-28), 10 ea. 1055309 Screw, SBH (1/4-28 x 1-1/4") and 4 ea. 1083099 Screw, SBH (1/4-28 x 1-1/2") as a replacement.				