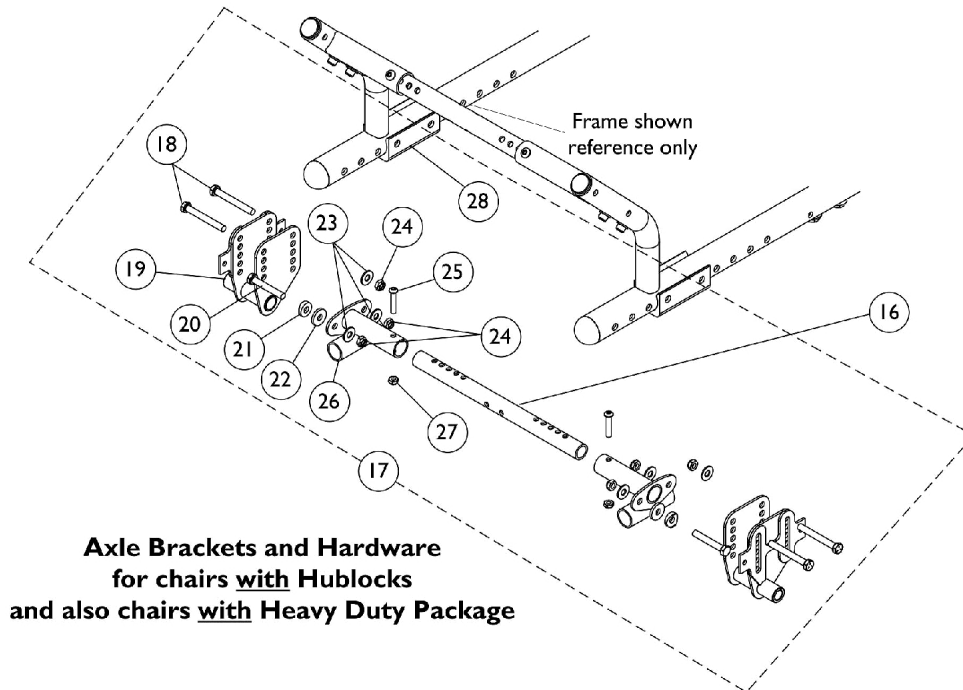
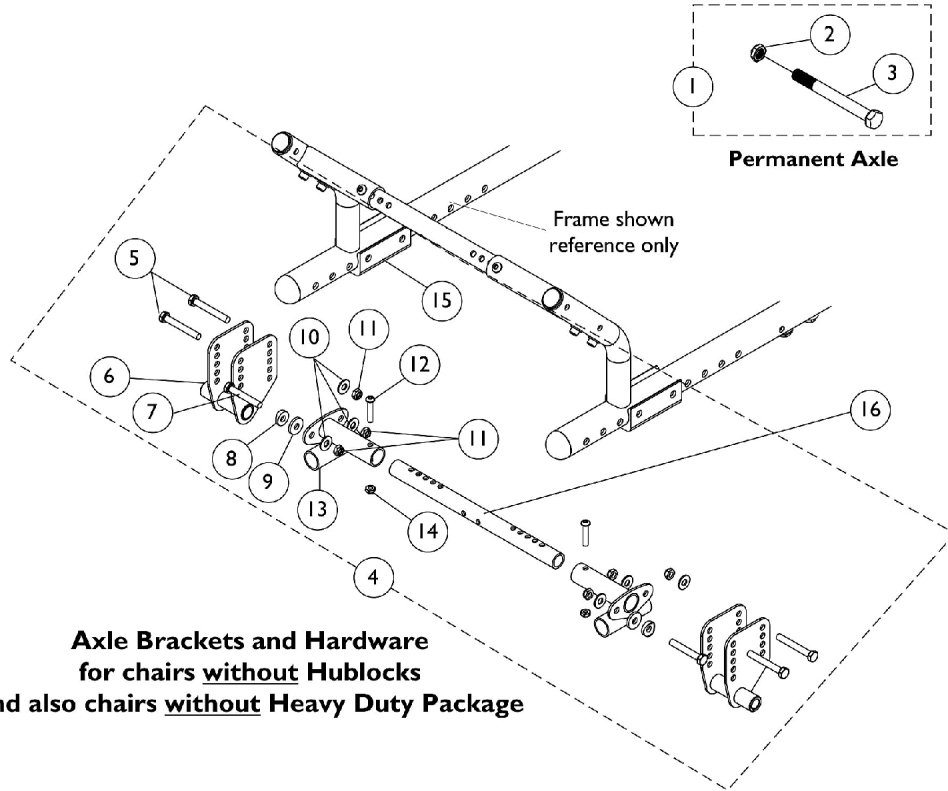


# Axles, Axle Mounting Plates, and Hardware Chairs w/o Vent Tray, 18" Wheels and Tilt Hand Release

This category is for chairs with 18" wheels and Permanent Axles ONLY. For chairs with 18" wheels and Quick Release Axles, see Axle Category for 12/20/22/ & 24" wheels.



## Axles, Axle Mounting Plates, and Hardware Chairs w/o Vent Tray, 18" Wheels and Tilt Hand Release

This category is for chairs with 18" wheels and Permanent Axles ONLY. For chairs with 18" wheels and Quick Release Axles, see Axle Category for 12/20/22/ & 24" wheels.

Item Number	Note	Part Number	Description	Quantity Per	
				Package	Assembly
1		1127817	Kit, Axle with Locknut	2	1
2			Locknut (1/2-20)	1	2
3			NLA - Screw, Hex Head (1/2-20 x 6")	1	2
4	A,B	1146394-NLA	NLA - Kit, Axle Brackets with Hardware	1	1
5			Screw, Hex Head (5/16-24 x 2-1/4")	1	4
6			NLA - Bracket, Axle, Black - Right	1	1
6			NLA - Bracket, Axle, Black - Left	1	1
7			Screw, Hex Head (5/16-24 x 2")	1	2
8			NLA - Bushing, Nylon Guide	1	2
9			Washer, Nylon (5/16 x 7/8 x 1/8")	1	2
10			Washer, Steel (5/16 x 3/4 x 1/16")	1	6
11			Locknut (5/16-24)	1	6
12			Screw, Socket Button Head (1/4-28 x 1-1/4")	1	2
13			Bracket, Lower Crossbrace Receiver, Black	1	2
14			Locknut (1/4-28)	1	2
15			Bracket, Axle Spacer, Black	1	2
16	C	See Chart	#16 Kit, Crossbraces with Hardware	1	1
17	D,E	1146395-NLA	Kit, Axle Brackets with Hardware	1	1
18			Screw, Hex Head (5/16-24 x 2-1/2")	1	4
19			Bracket, Axle, Black - Right	1	1
19			Bracket, Axle, Black - Left	1	1
20			Screw, Hex Head (5/16-24 x 2")	1	2
21			NLA - Bushing, Nylon Guide	1	2
22			Washer, Nylon (5/16 x 7/8 x 1/8")	1	2
23			Washer, Steel (5/16 x 3/4 x 1/16")	1	6
24			Locknut (5/16-24)	1	6
25			Screw, Socket Button Head (1/4-28 x 1-1/4")	1	2
26			Bracket, Lower Crossbrace Receiver, Black	1	2
27			Locknut (1/4-28)	1	2
28			Bracket, Axle Spacer, Black	1	2

NOTE: A - Chairs without Hublocks and Heavy Duty Package  
B - Includes items 5-15, contains enough parts for right and left frames  
C - Kit includes 5 ea. Crossbraces and all attaching hdwr. 1 crossbrace is required for Axle Mounting Hdwr., 3 crossbraces are req'd for Base/Seat Frames, and 1 crossbrace is req'd for Tilt Hdwr.  
D - Chairs with Hublocks and/or Heavy Duty Package  
E - Includes items 18-28, contains enough parts for right and left frames

## Axles, Axle Mounting Plates, and Hardware Chairs w/o Vent Tray, 18" Wheels and Tilt Hand Release

This category is for chairs with 18" wheels and Permanent Axles ONLY. For chairs with 18" wheels and Quick Release Axles, see Axle Category for 12/20/22/ & 24" wheels.

### #16 Kit, Crossbraces with Hardware

Seat Width Range 12-16"	Seat Width Range 14-18"	Seat Width Range 16-20"	Seat Width Range 18-22"	Quantity
1127700-NLA See Note(s) A	1127701-NLA See Note(s) A	1127702-NLA See Note(s) A	1127703 See Note(s) B, A	1
N/A	N/A	N/A	1164095	1
N/A	N/A	N/A	1025765	14
N/A	N/A	N/A	1055309	10
N/A	N/A	N/A	1083099	4
NOTE: A - As of 8/9/07, the finish changed from black anodize to flat black. B - See part #'s listed below part #1127703 and order together 1 ea. 1164095 Kit, Crossbrace Tubes, 14 ea. 1025765 Locknuts (1/4-28), 10 ea. 1055309 Screw, SBH (1/4-28 x 1-1/4") and 4 ea. 1083099 Screw, SBH (1/4-28 x 1-1/2") as a replacement.				