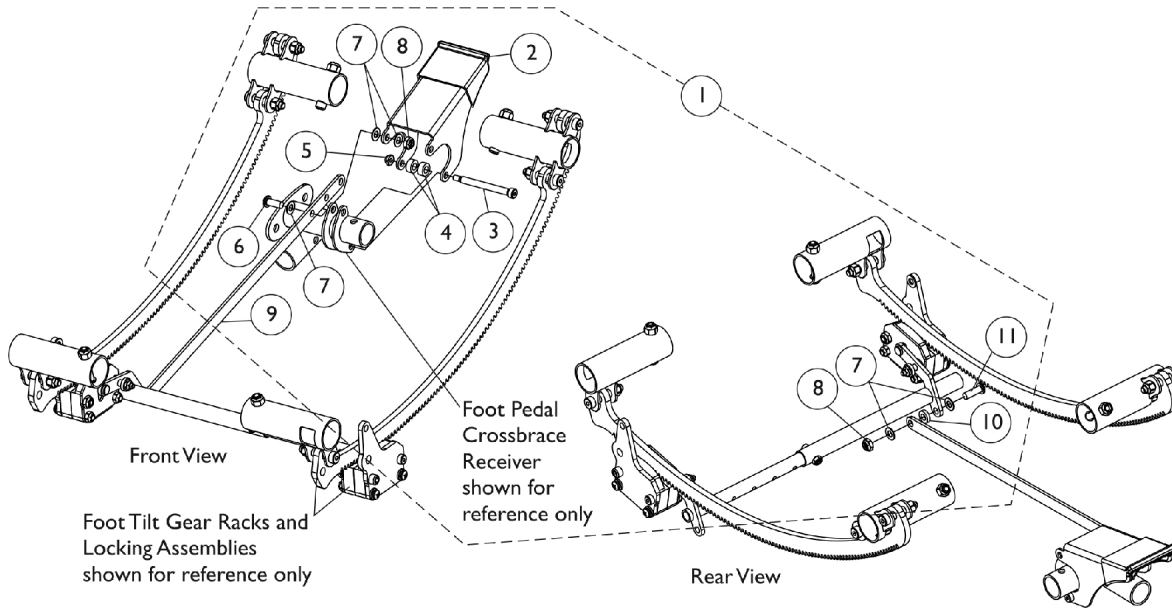
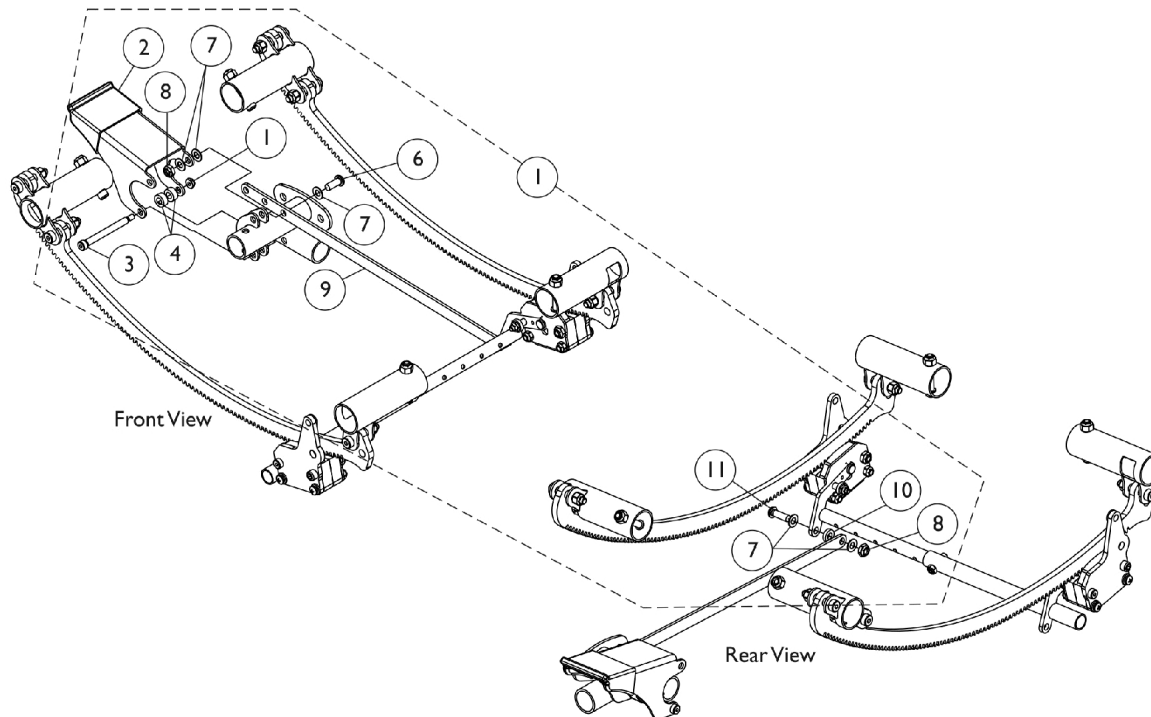


# Foot Pedal Tilt Release Assembly

If a wheelchair is ordered as a Foot Release or a Hand Release, it CANNOT be retrofitted in the field to accept the other Tilting function. A new wheelchair must be ordered.



## Right Side Foot Pedal Tilt Release Assembly



## Left Side Foot Pedal Tilt Release Assembly

## Foot Pedal Tilt Release Assembly

If a wheelchair is ordered as a Foot Release or a Hand Release, it CANNOT be retrofitted in the field to accept the other Tilting function. A new wheelchair must be ordered.

Item Number	Note	Part Number	Description	Quantity Per	
				Package	Assembly
1	A	1162212	Foot Pedal Tilt Release Assembly, Black - Right	1	1
2			Pedal, Foot, Black	1	1
3			Screw, Shoulder Hex Socket Head (1/4 x 2-1/4", #10-24)	1	1
4			NLA - Spacer	1	2
5			NLA - Locknut (#10-24)	1	1
6			Screw, Socket Button Head (1/4-28 x 5/8")	1	1
7			Washer, Nylon (1/4 x 1/2 x 1/32")	1	5
8			Locknut (1/4-28)	1	2
9			Link, Connecting, Black	1	1
10			Washer, Nylon (1/4 x 1/2 x 1/8")	1	1
11			NLA - Screw, Socket Button Head (1/4-28 x 3/4")	1	1
1	A	1162213	Foot Pedal Tilt Release Assembly, Black - Left	1	1
2			Pedal, Foot, Black	1	1
3			Screw, Shoulder Hex Socket Head (1/4 x 2-1/4", #10-24)	1	1
4			NLA - Spacer	1	2
5			NLA - Locknut (#10-24)	1	1
6			Screw, Socket Button Head (1/4-28 x 5/8")	1	1
7			Washer, Nylon (1/4 x 1/2 x 1/32")	1	5
8			Locknut (1/4-28)	1	2
9			Link, Connecting, Black	1	1
10			Washer, Nylon (1/4 x 1/2 x 1/8")	1	1
11			NLA - Screw, Socket Button Head (1/4-28 x 3/4")	1	1

NOTE: A - Includes items 2-11