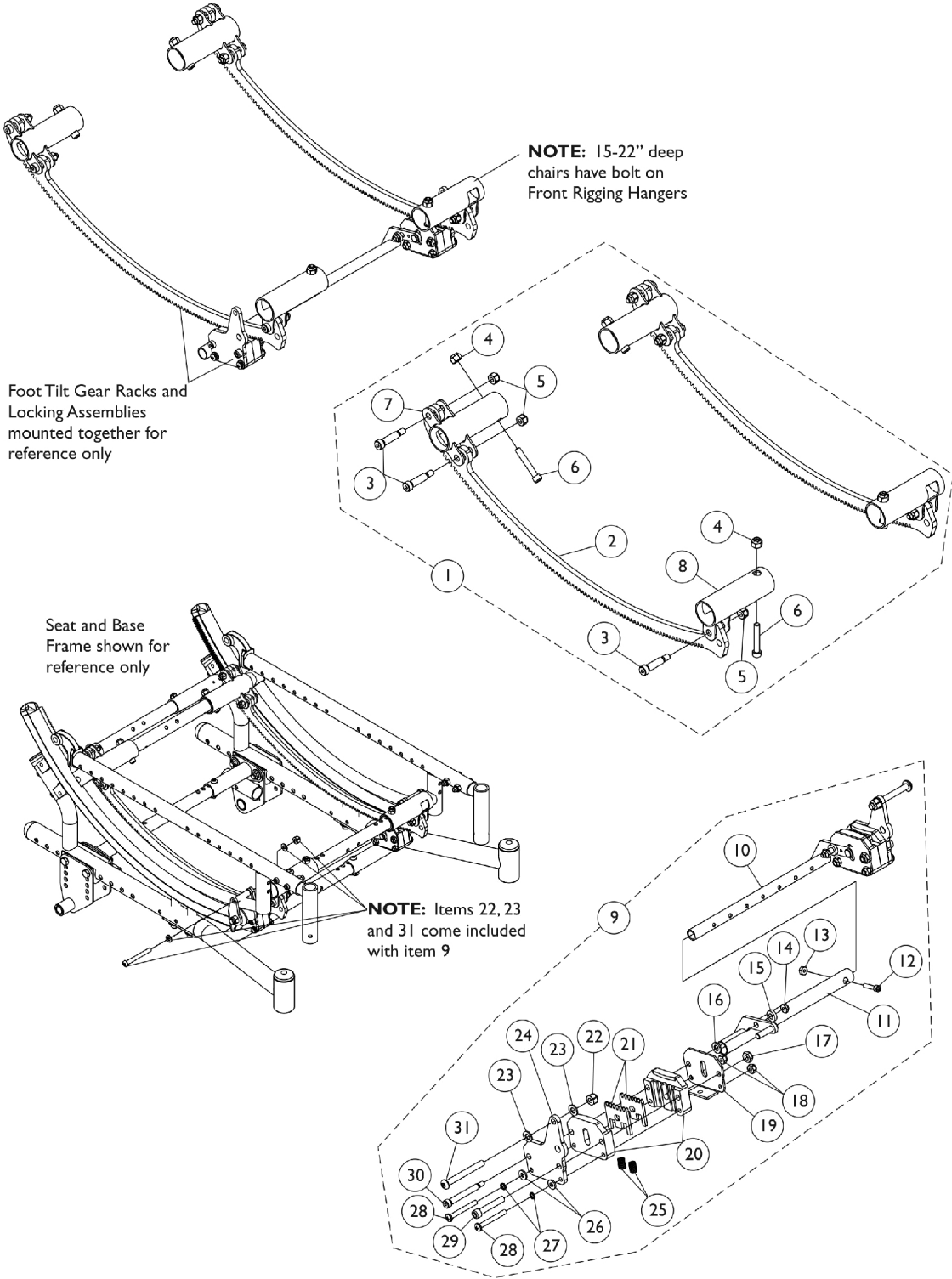


Gear Rack Assembly (12-22" W x 15-22" D) - Foot Pedal Release



Gear Rack Assembly (12-22" W x 15-22" D) - Foot Pedal Release

Item Number	Note	Part Number	Description	Quantity Per	
				Package	Assembly
1	A	8881162206-NL A	NLA - Foot Tilt Gear Rack Assembly, Color (12 - 22" W x 15 - 22" D)	1	1
2			Rack, Gear, Chrome, Foot Tilt	1	2
3			NLA - Screw, Shoulder Hex Socket Head (5/16" x 1", 1/4-20)	1	6
4			Locknut (1/4-28)	1	4
5			Locknut (1/4-20)	1	6
6			NLA - Screw, Socket Head (1/4-28 x 1-1/2")	1	4
7			Bracket, Gear Rack Mounting, Color, Rear	1	2
8			Bracket, Gear Rack Mounting, Color, Front	1	2
9	B	1162208-NLA	NLA - Foot Tilt Gear Rack Locking Assembly, Black (12 - 18" W)	1	1
10			Tube, Actuator, Black - Left (12 - 18" W)	1	1
11			Tube, Actuator, Black - Right	1	1
12			Screw, Socket Head (8-32 x 3/4")	1	1
13			Locknut (#8-32)	1	1
14			NLA - Locknut (#10-24)	1	2
15			Washer, Nylon (1/4 x 1/2 x 1/8")	1	2
16			Washer, Nylon (1/4 x 1/2 x 1/16")	1	2
17			Locknut (1/4-28)	1	2
18			Locknut (#10-32)	1	4
19			Plate, Outer, Black	1	2
20			Block, Slide	1	4
21			Gear, Sector, Chrome	1	4
22			Locknut (1/4-20)	1	2
23			Washer (1/4 x 1/2 x 1/16")	1	4
24			Plate, Actuator Mounting, Black	1	2
25			Spring, Compression	1	4
26			Washer, Steel (3/16 x 7/16 x 1/16")	1	4
27			NLA - Washer, Lock (3/16 x 5/16 x 1/32")	1	4
28			Screw, Phillips Pan Head (10-32 x 1-5/8")	1	4
29			NLA - Screw, Socket Head (1/4-28 x 1-1/2")	1	2
30			NLA - Screw, Shoulder Hex Socket Head (1/4 x 1-3/4", #10-24)	1	2
31			Screw, Socket Button Head (1/4-20X2-1/4")	1	2
9	C	1162209-NLA	NLA - Foot Tilt Gear Rack Locking Assembly, Black (16 - 22" W)	1	1
10			Tube, Actuator, Black - Left (16 - 22" W)	1	1
11			Tube, Actuator, Black - Right	1	1
12			Screw, Socket Head (8-32 x 3/4")	1	1
13			Locknut (#8-32)	1	1
14			NLA - Locknut (#10-24)	1	2
15			Washer, Nylon (1/4 x 1/2 x 1/8")	1	2
16			Washer, Nylon (1/4 x 1/2 x 1/16")	1	2
17			Locknut (1/4-28)	1	2
18			Locknut (#10-32)	1	4
19			Plate, Outer, Black	1	2

Gear Rack Assembly (12-22" W x 15-22" D) - Foot Pedal Release

Item Number	Note	Part Number	Description	Quantity Per	
				Package	Assembly
20			Block, Slide	1	4
21			Gear, Sector, Chrome	1	4
22			Locknut (1/4-20)	1	2
23			Washer (1/4 x 1/2 x 1/16")	1	4
24			Plate, Actuator Mounting, Black	1	2
25			Spring, Compression	1	4
26			Washer, Steel (3/16 x 7/16 x 1/16")	1	4
27			NLA - Washer, Lock (3/16 x 5/16 x 1/32")	1	4
28			Screw, Phillips Pan Head (10-32 x 1-5/8")	1	4
29			NLA - Screw, Socket Head (1/4-28 x 1-1/2")	1	2
30			NLA - Screw, Shoulder Hex Socket Head (1/4 x 1-3/4", #10-24)	1	2
31			Screw, Socket Button Head (1/4-20X2-1/4")	1	2
NOTE: A - Includes items 2-8 for both right and left sides. Specify frame finish when ordering. B - Includes items 10-31 for for both right and left sides. Used on 12 - 18" wide chairs C - Includes items 10-31 for for both right and left sides. Used on 16 - 22" wide chairs					