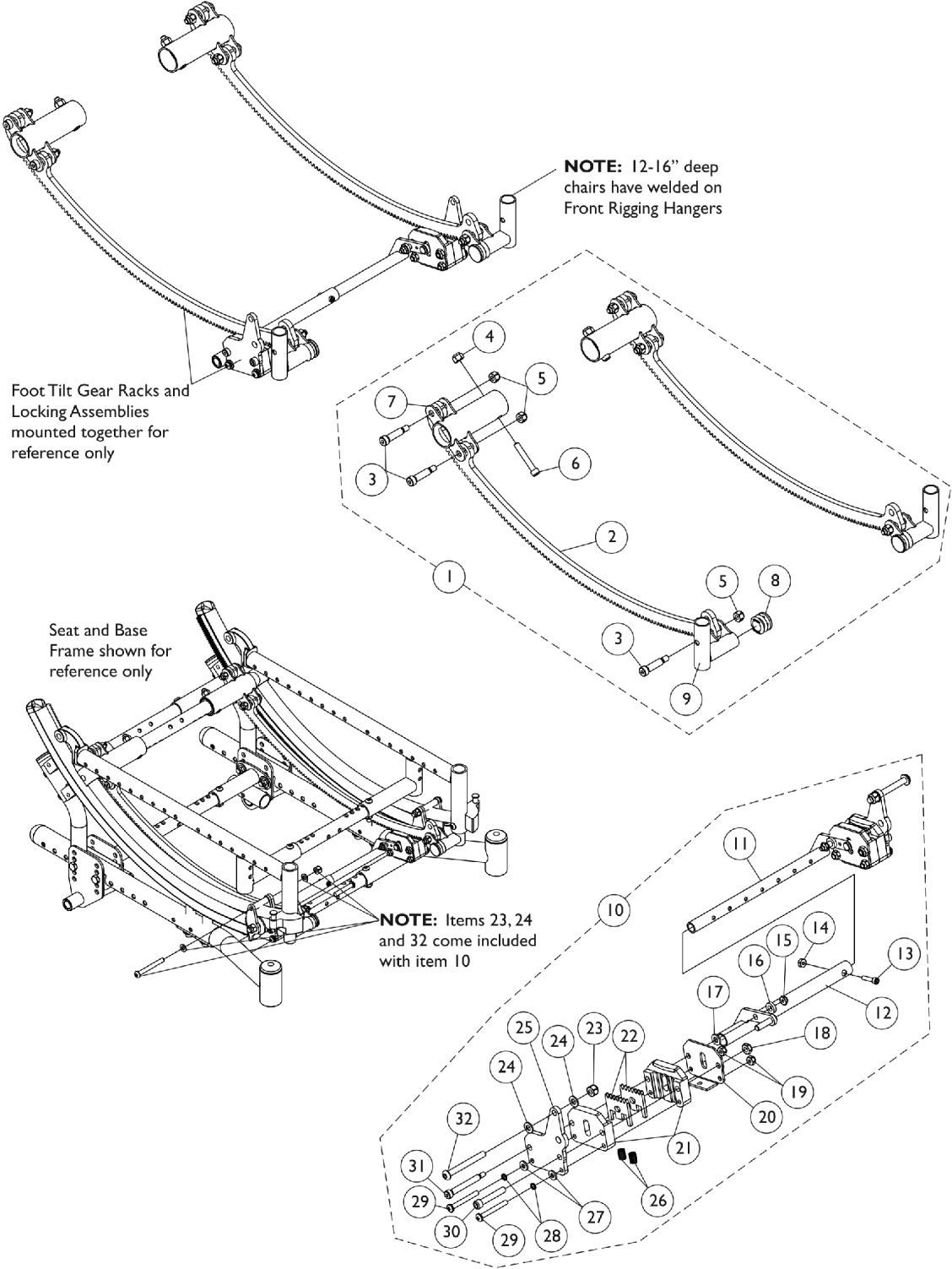


Gear Rack Assembly (12-22" W x 12-16" D) - Foot Pedal Release



Gear Rack Assembly (12-22" W x 12-16" D) - Foot Pedal Release

Item Number	Note	Part Number	Description	Quantity Per	
				Package	Assembly
1	A	8881162207	NLA - Foot Tilt Gear Rack Assembly, Color (12 - 22" W x 12 - 16" D)	1	1
2			Rack, Gear, Chrome, Foot Tilt	1	2
3			NLA - Screw, Shoulder Hex Socket Head (5/16" x 1", 1/4-20)	1	6
4			Locknut (1/4-28)	1	2
5			Locknut (1/4-20)	1	6
6			NLA - Screw, Socket Head (1/4-28 x 1-1/2")	1	2
7			Bracket, Gear Rack Mounting, Color, Rear	1	2
8			Plug Button, Black (7/8")	1	2
9			Bracket, Gear Rack Mounting, Black - Right	1	1
9			Bracket, Gear Rack Mounting, Black - Left	1	1
10	B	1162208-NLA	NLA - Foot Tilt Gear Rack Locking Assembly, Black (12 - 18" W)	1	1
11			Tube, Actuator, Black - Left (12 - 18" W)	1	1
12			Tube, Actuator, Black - Right	1	1
13			Screw, Socket Head (8-32 x 3/4")	1	1
14			Locknut (#8-32)	1	1
15			NLA - Locknut (#10-24)	1	2
16			Washer, Nylon (1/4 x 1/2 x 1/8")	1	2
17			Washer, Nylon (1/4 x 1/2 x 1/16")	1	2
18			Locknut (1/4-28)	1	2
19			Locknut (#10-32)	1	4
20			Plate, Outer, Black	1	2
21			Block, Slide	1	4
22			Gear, Sector, Chrome	1	4
23			Locknut (1/4-20)	1	2
24			Washer (1/4 x 1/2 x 1/16")	1	4
25			Plate, Actuator Mounting, Black	1	2
26			Spring, Compression	1	4
27			Washer, Steel (3/16 x 7/16 x 1/16")	1	4
28			NLA - Washer, Lock (3/16 x 5/16 x 1/32")	1	4
29			Screw, Phillips Pan Head (10-32 x 1-5/8")	1	4
30			NLA - Screw, Socket Head (1/4-28 x 1-1/2")	1	2
31			NLA - Screw, Shoulder Hex Socket Head (1/4 x 1-3/4", #10-24)	1	2
32			Screw, Socket Button Head (1/4-20X2-1/4")	1	2
10	C	1162209-NLA	NLA - Foot Tilt Gear Rack Locking Assembly, Black (16 - 22" W)	1	1
11			Tube, Actuator, Black - Left (16 - 22" W)	1	1
12			Tube, Actuator, Black - Right	1	1
13			Screw, Socket Head (8-32 x 3/4")	1	1
14			Locknut (#8-32)	1	1
15			NLA - Locknut (#10-24)	1	2
16			Washer, Nylon (1/4 x 1/2 x 1/8")	1	2
17			Washer, Nylon (1/4 x 1/2 x 1/16")	1	2
18			Locknut (1/4-28)	1	2

Gear Rack Assembly (12-22" W x 12-16" D) - Foot Pedal Release

Item Number	Note	Part Number	Description	Quantity Per	
				Package	Assembly
19			Locknut (#10-32)	1	4
20			Plate, Outer, Black	1	2
21			Block, Slide	1	4
22			Gear, Sector, Chrome	1	4
23			Locknut (1/4-20)	1	2
24			Washer (1/4 x 1/2 x 1/16")	1	4
25			Plate, Actuator Mounting, Black	1	2
26			Spring, Compression	1	4
27			Washer, Steel (3/16 x 7/16 x 1/16")	1	4
28			NLA - Washer, Lock (3/16 x 5/16 x 1/32")	1	4
29			Screw, Phillips Pan Head (10-32 x 1-5/8")	1	4
30			NLA - Screw, Socket Head (1/4-28 x 1-1/2")	1	2
31			NLA - Screw, Shoulder Hex Socket Head (1/4 x 1-3/4", #10-24)	1	2
32			Screw, Socket Button Head (1/4-20X2-1/4")	1	2
<p>NOTE: A - Includes items 2-9 for both right and left sides. Specify frame finish when ordering. B - Includes items 11-32 for for both right and left sides. Used on 12 - 18" wide chairs C - Includes items 11-32 for for both right and left sides. Used on 16 - 22" wide chairs</p>					