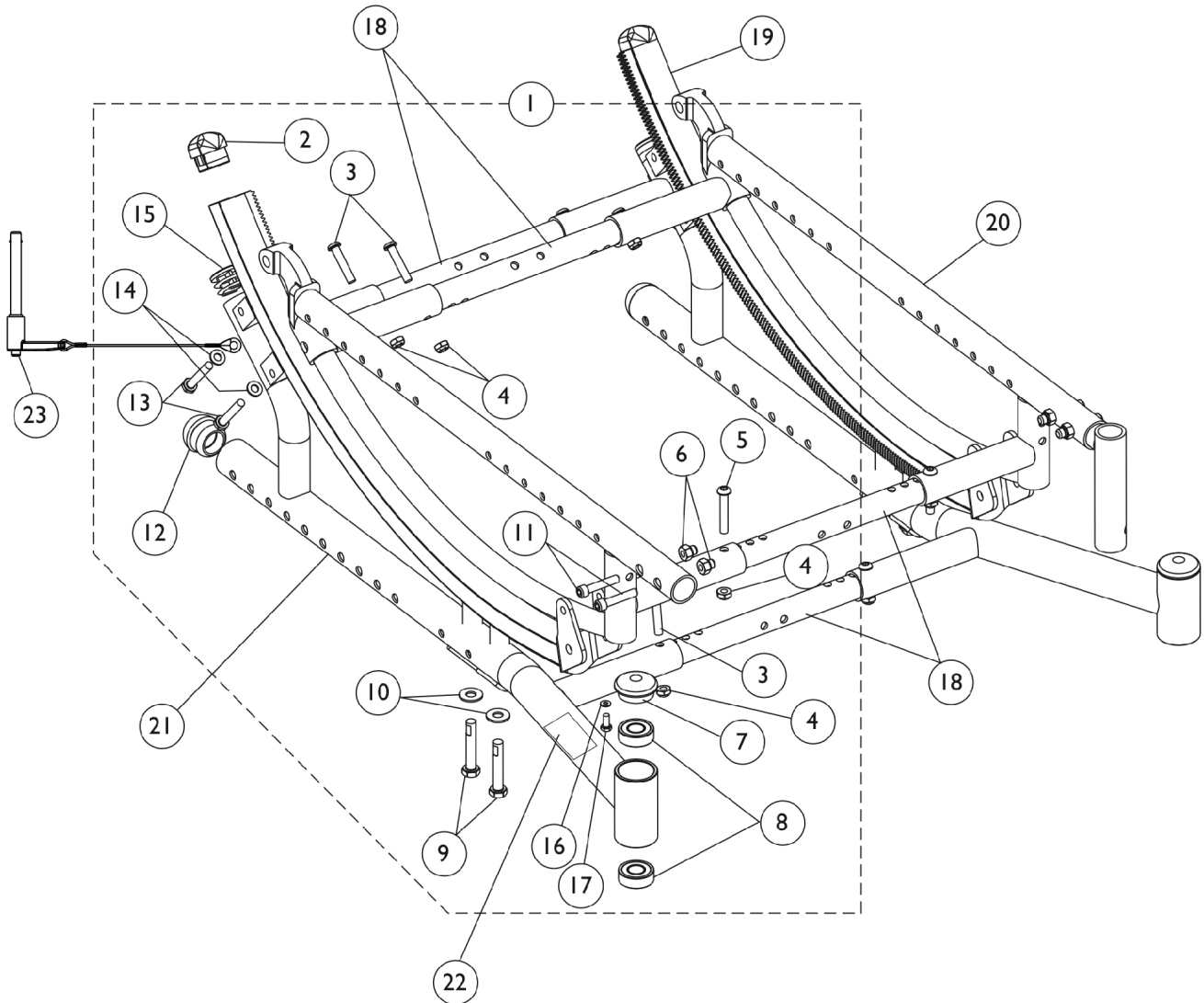


Base Frame, Seat Frame, and Hardware

(5/22/06 - 11/30/06)

Transport Ready Chairs requiring Frames and/or Frame Hardware parts must be returned to Invacare for service. The Quick Release Pin with L-Handle and Lanyard part #1142462 item 23 is available



Base Frame, Seat Frame, and Hardware

(5/22/06 - 11/30/06)

Transport Ready Chairs requiring Frames and/or Frame Hardware parts must be returned to Invacare for service. The Quick Release Pin with L-Handle and Lanyard part #1142462 item 23 is available

Item Number	Note	Part Number	Description	Quantity Per	
				Package	Assembly
1	A,B,F	1142726-NLA	NLA - Kit, Frame Hardware	1	1
2			Plug Button, Black (1 x 1-1/4")	1	1
3			Screw, Socket Button Head (1/4-28 x 1-1/4")	1	3
4			Locknut (1/4-28)	1	4
5			Screw, Socket Button Head (1/4-28 x 1-1/2")	1	1
6			Nut, Hex (1/4-28)	1	2
7			Plug Button, Head Tube, Black	1	1
8			Bearing (1/2" I.D. x 1-1/8" O.D.)	1	2
9			Screw (5/16-24 x 2")	1	2
10			Washer, Steel (5/16 x 3/4 x 1/16")	1	2
11			Screw, Allen Head (1/4-28 x 1-1/4")	1	2
12			Plug Button, Dome, Black (1-1/4")	1	1
13			Screw, Hex Head (1/4-28 x 1-5/8")	1	2
14			Washer (1/4 x 1/2 x 1/16")	1	2
15			Plug Button, Black (1")	1	1
16			NLA - Spacer, Nylon (1/4 x 7/16 x 1/8")	1	1
17			Screw, Phillips Pan Head Tap (#10-32 x 3/8")	1	1
18	E	See Chart	#18 Kit, Crossbraces with Hardware	1	1
19	C	1142899-NLA	NLA - Gear Rack Assembly with Angle Tilt Decal - Right	1	1
19	C	1142900-NLA	NLA - Gear Rack Assembly with Angle Tilt Decal - Left	1	1
20		See Chart	#20 Seat Frames	1	1
21	D	See Chart	#21 Base Frame Assembly	1	1
22		1128856-NLA	NLA - Decal, Model - Solara	1	1
22		1128857	Decal, Model - Spree GT	1	1
23	G	1142462	Pin, Quick Release with L-Handle and Lanyard (3/8")	1	2

NOTE: A - Includes items 2-17
 B - Items 5 and 6 are used only on Solara chairs with front rigging hangers
 C - Includes item 2, Plug Button
 D - Includes items 8, 12, 15, and 22
 E - Kit includes 5 ea. Crossbraces and all attaching hdwr. 4 crossbraces are required for Base/Seat Frames and 1 crossbrace is required for Axle Mounting Hdwr.
 F - Items 16 (spacer) and item 17 (screw) are only required for Short Frame chairs.
 G - The quick release pin is used when TRRO or TRBKTS option is ordered

Base Frame, Seat Frame, and Hardware

(5/22/06 - 11/30/06)

Transport Ready Chairs requiring Frames and/or Frame Hardware parts must be returned to Invacare for service. The Quick Release Pin with L-Handle and Lanyard part #1142462 item 23 is available

#18 Kit, Crossbraces with Hardware

Seat Width Range 12-16"	Seat Width Range 14-18"	Seat Width Range 16-20"	Seat Width Range 18-22"	Quantity
1127700-NLA See Note(s) A	1127701-NLA See Note(s) A	1127702-NLA See Note(s) A	1127703-NLA See Note(s) B, A	1
N/A	N/A	N/A	N/A	1
N/A	N/A	N/A	N/A	14
N/A	N/A	N/A	N/A	10
N/A	N/A	N/A	N/A	4

NOTE: A - As of 8/9/07, the finish changed from black anodize to flat black.
 B - See part #'s listed below part #1127703 and order together 1 ea. 1164095 Kit, Crossbrace Tubes, 14 ea. 1025765 Locknuts (1/4-28), 10 ea. 1055309 Screw, SBH (1/4-28 x 1-1/4") and 4 ea. 1083099 Screw, SBH (1/4-28 x 1-1/2") as a replacement.

#20 Seat Frames

Specify frame finish when ordering

Seat Depth Range	Right	Left
12-16"	8881141900 See Note(s) A	8881141901 See Note(s) A
15-19"	8881141902 See Note(s) A	8881141903 See Note(s) A
18-22"	8881141904-NLA See Note(s) A	8881141905 See Note(s) A

NOTE: A - Specify frame finish when ordering

Base Frame, Seat Frame, and Hardware

(5/22/06 - 11/30/06)

Transport Ready Chairs requiring Frames and/or Frame Hardware parts must be returned to Invacare for service. The Quick Release Pin with L-Handle and Lanyard part #1142462 item 23 is available

#21 Base Frame Assembly

Includes items 8,12, 15, and 22. Specify frame finish when ordering.

Seat Depth Range	Solara Right	Solara Left	Spree GT Right	Spree GT Left
12-16"	8881142901-NLA See Note(s) A	8881142902-NLA See Note(s) A	8881142907-NLA See Note(s) A	8881142908-NLA See Note(s) A
15-19"	8881142903-NLA See Note(s) A	8881142904-NLA See Note(s) A	8881142909-NLA See Note(s) A	8881142910-NLA See Note(s) A
18-22"	8881142905-NLA See Note(s) A	8881142906-NLA See Note(s) A	N/A	N/A
NOTE: A - Specify frame finish when ordering				