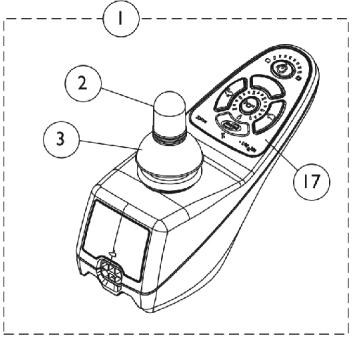
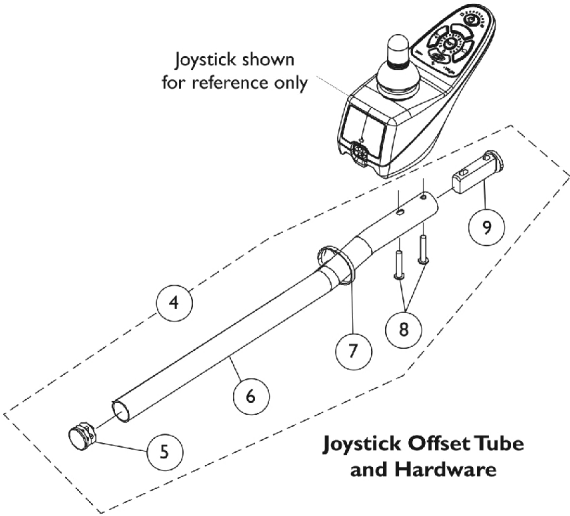


# MK5 SPJ+ Joystick and Mounting Hardware

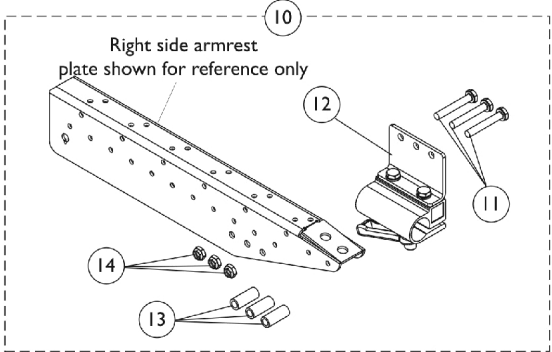
(For Ser. #'s Starting w/ Before 08C & After 09F)



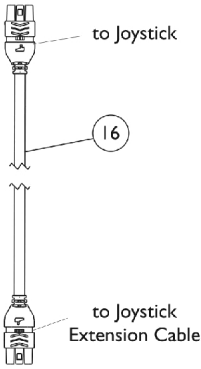
**MK5 SPJ+ Joystick**



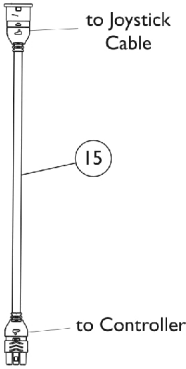
**Joystick Offset Tube and Hardware**



**Joystick Tube Mounting Hardware**



**Joystick Cable**



**Joystick Extension Cable**

## MK5 SPJ+ Joystick and Mounting Hardware (For Ser. #'s Starting w/ Before 08C & After 09F)

Item Number	Note	Part Number	Description	Quantity Per	
				Package	Assembly
1	A,D,E, F	1127291	Joystick, SPJ+	1	1
2		1040217	Knob, Joystick Rubber, Black	1	1
3		1040218	Skirt, Joystick Rubber, Black	1	1
4	B	1161733	Kit, 2" Offset Joystick Tube w/ Hardware	1	1
5			Plug Button, Black (7/8")	1	1
6			Tube, Joystick Offset (2")	1	1
7			Tie Wrap (11-1/2" L)	1	2
8			Screw, Phillips Pan Head (#10-32 x 1-1/8")	1	2
8			Screw, Phillips Pan Head (M5 x .8 x 30mm)	1	2
9			Spacer, Joystick Tube, Black	1	1
5		1130582	Package, Plug Button, Black (7/8")	10	1
7		1095502-NLA	NLA - Package, Tie Wrap (11-1/2" L)	10	1
10	C	1115000	Kit, Joystick Tube Mounting Hardware - Captain Seat	1	1
11		1037610	Screw, Hex Head (1/4-20 x 1-5/8")	1	3
12		1105049	Clamp Assembly, Fixed Height, Captain/ Van Seat	1	1
13		1087219	Spacer (1/4 x 3/8 x 1")	1	3
14		1025195	Locknut (1/4-20)	1	3
15	E	1116404	Cable, Joystick Extension	1	1
16	E	1127293	Cable, Joystick SPJ+	1	1
17		1165094	Kit, Overlay, SPJ+ Joystick (MK5/MK6)	1	1
			NLA - Overlay, SPJ+ Joystick	1	1
			Instruction Sheet, MK5/MK6 Overlay	1	1

NOTE: A - Includes joystick and items 2, 3 and 17.  
 B - Includes item 5 thru 9. Kit contains Standard (#10-32) and Metric (M5) screws. Customer selects screw that applies to their application.  
 C - Includes items 11 thru 14.  
 D - Battery Charger is plugged into the front port on the joystick to charge batteries.  
 E - Used Before 4/1/08 w/ Ser. #'s Ending w/ 08C & After 5/31/09 Starting w/ Ser. #'s 09F  
 F - Before replacing your joystick, verify with Invacare Technical Service Phone Support first to see if only a Joystick Overlay Kit is needed